

## HYDRAPRO 1.28 GPF TOILET IN A BOX | WHITE



PART #	MODEL #	DESCRIPTION	MASTER QTY.	PRODUCT
<b>HYDRAPRO ADA TOILET-IN-A-BOX</b>				
H49223	HPAETIBKIT128	ADA ELONG 1.28GPF HET TOILET IN A BOX	1	

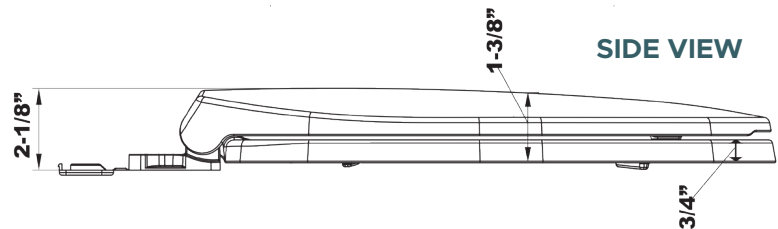
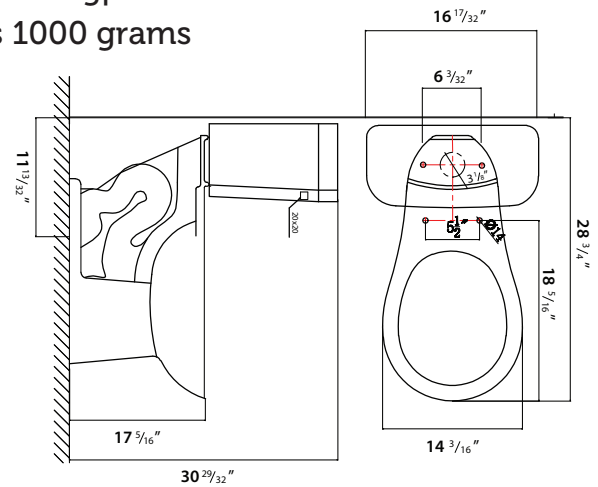
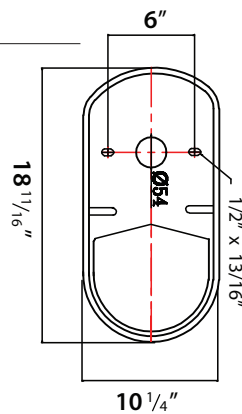
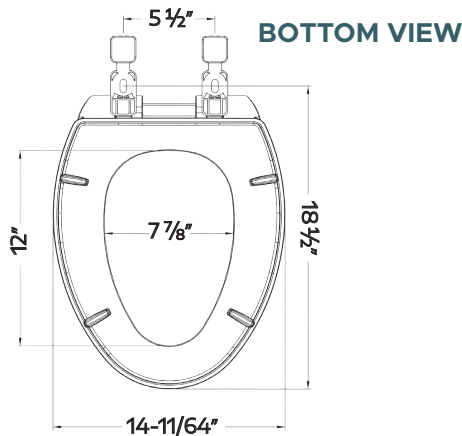
**KIT INCLUDES:** ADA ELONGATED BOWL & TANK, SMOOTH CLOSE SEAT, WAX RING & CLOSET BOLTS

### TOILET DETAILS

- Color: White • 17" Rim Height • 12" Rough-In • 1.28 gpf
- 2-1/2" Fully Glazed Trap • 3" Flush Valve / Flushes 1000 grams

### SEAT DETAILS

- Elongated • Smooth Close
- Heavy-Weight Plastic
- Hardware Included



JOB NAME:

JOB LOCATION:

CONTRACTOR:

DATE:

ENGINEER APPROVAL:

DATE:

ITEM TAG:

PART NUMBER:



Listed by IAPMO® as meeting the applicable requirements of the Uniform Plumbing Code®, International Plumbing Code®, and National Plumbing Code of Canada.



Complies with ADA & ICC A117.1 accessibility requirements when installed according to the requirements outlined in these standards.