

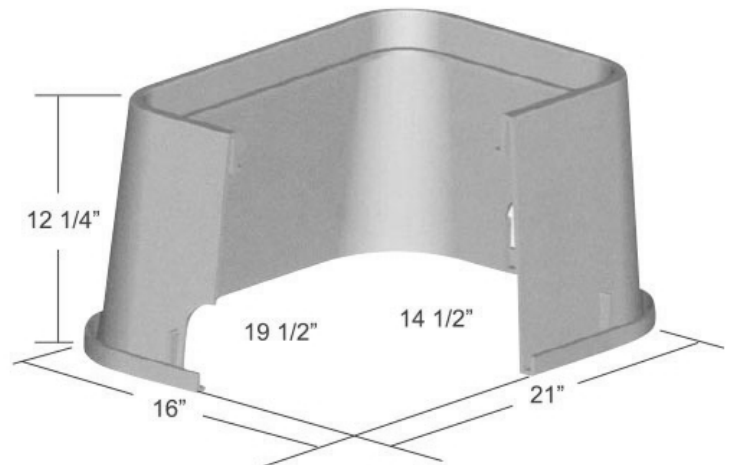
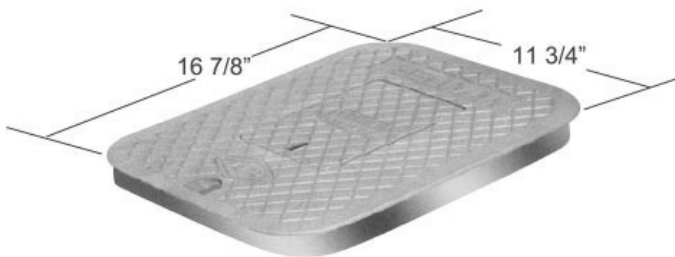
12" RECTANGULAR METER BOX WITH BLACK READER LID "WATER" ENGRAVING ON LID



PART #	MODEL #	DESCRIPTION	SIZE	PACKAGE QUANTITY	SELECT MODEL BELOW
12" RECTANGULAR METER BOX WITH BLACK READER LID					
H73519	DUR124MR	12" Meter Box, Black Body with Black Reader Lid "Water" Engraving	11-3/4" x 16-7/8" x 12-1/4"	72 / PALLET	<input type="checkbox"/>

FEATURES & MATERIALS

- Polypropylene Material for Maximum Durability and Corrosion Resistance
- UV Resistant
- Lid has Diamond Pattern for Skid Resistance
- Lid Engraved with "WATER"
- For Use in Non-Vehicular Traffic Areas



JOB NAME:

JOB LOCATION:

CONTRACTOR:

DATE:

ITEM TAG:

ENGINEER APPROVAL:

DATE:

PART NUMBER: