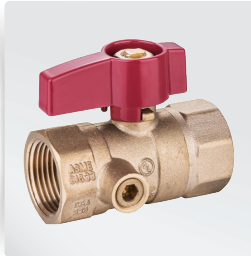


## GAS BALL VALVE WITH SIDE TAP



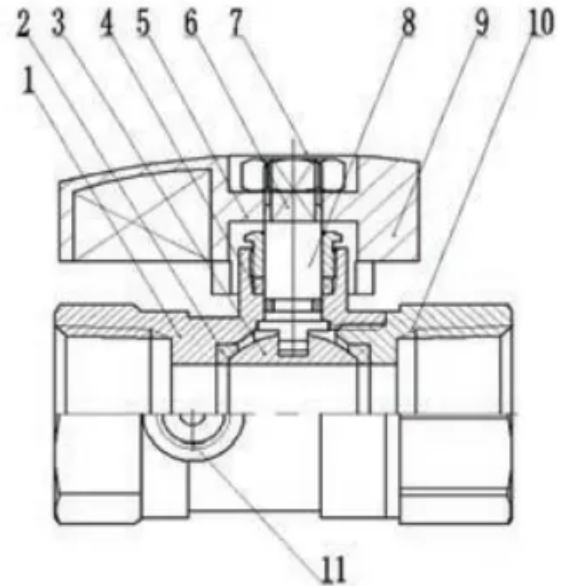
PART #	MODEL #	DESCRIPTION (SIZE)	INNER CARTON QTY.	MASTER CARTON QTY.	SELECT MODEL BELOW
<b>GAS BALL VALVE WITH SIDE TAP</b>					
H50078	GBV12PPTAP	1/2 FIP x FIP GAS BALL VALVE LEVER HANDLE W/ SIDE TAP	10	100	<input type="checkbox"/>
H50079	GBV34PPTAP	3/4 FIP x FIP GAS BALL VALVE LEVER HANDLE W/ SIDE TAP	10	100	<input type="checkbox"/>

## SPECIFICATIONS



- Forged Brass Body
- Thread Conforms to ANSI B1.20.1
- Blow Out Proof Stem Design
- Max Working Pressure: 250 PSI
- Tap Thread Size: 1/4"
- UL and CSA Approved

NO.	NAME	MATERIAL	QTY.
1	Body	Brass	1
2	Seat	PTFE	2
3	Ball	Brass/Chrome Plated	1
4	O-Ring	NBR	1
5	Packing Nut	Brass	1
6	Stem	Brass	1
7	Handle Nut	Plated Steel	1
8	Packing	PTFE	1
9	Handle	AL-Alloy	1
10	Cap	Brass	1
11	Screw	Brass	1



**JOB NAME:** \_\_\_\_\_

**JOB LOCATION:** \_\_\_\_\_

**CONTRACTOR:** \_\_\_\_\_ **DATE:** \_\_\_\_\_

**ITEM TAG:** \_\_\_\_\_

**ENGINEER APPROVAL:** \_\_\_\_\_ **DATE:** \_\_\_\_\_

**PART NUMBER:** \_\_\_\_\_