

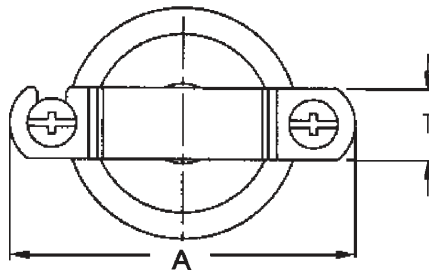
COPPER PLATED STEEL BELL HANGER



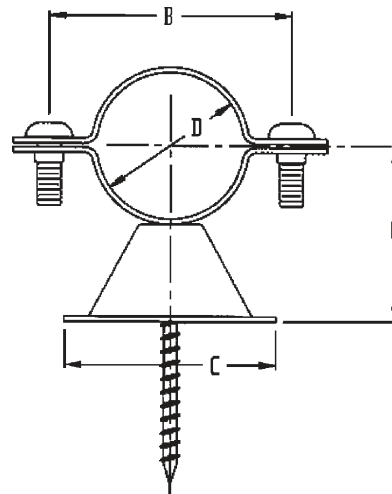
| Part # | Model # | Description (Size) | Inner Carton Qty | Master Carton Qty | Select Model Below |
|--|---------|--------------------------------------|------------------|-------------------|--------------------------|
| COPPER PLATED STEEL BELL HANGER | | | | | |
| H19501 | HMBH12C | 1/2" COPPER PLATED STEEL BELL HANGER | 25 | - | <input type="checkbox"/> |
| H19502 | HMBH34C | 3/4" COPPER PLATED STEEL BELL HANGER | 25 | - | <input type="checkbox"/> |
| H19503 | HMBH1C | 1" COPPER PLATED STEEL BELL HANGER | 25 | - | <input type="checkbox"/> |

| TUBE SIZE | TUBE OD | A | B | C | H | T | WGT. EACH LBS. |
|-----------|---------|---------|---------|--------|---------|------|----------------|
| 1/2" | 0.625" | 2-3/16" | 1-9/16" | 1-5/8" | 1-1/16" | 1/2" | 0.06 |
| 3/4" | 0.875" | 2-3/8" | 1-3/4" | 1-5/8" | 1-3/16" | 1/2" | 0.06 |
| 1" | 1.125" | 2-7/16" | 1-7/8" | 1-5/8" | 1-5/16" | 1/2" | 0.06 |

TOP VIEW



SIDE VIEW



JOB NAME:

JOB LOCATION:

CONTRACTOR:

ENGINEER APPROVAL:

DATE:

DATE:

ITEM TAG:

PART NUMBER: