

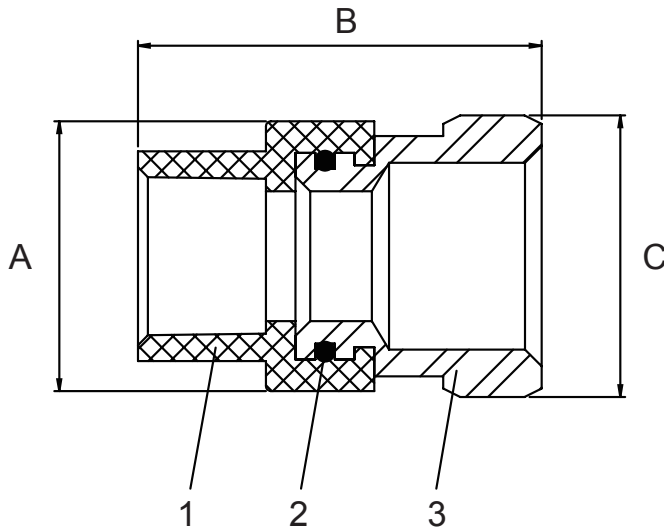
TRANSITION FITTINGS PEX TRANSITION ADAPTER CPVC x F1960 PEX



No wrench here
Use Teflon tape

Part #	Model #	Description (Size)	Inner Carton Qty	Master Carton Qty	Select Model Below
PEX TRANSITION ADAPTER (SOCKET CPVC x F1960 PEX)					
H48240	HPF1960CPVCST12F	1/2" Socket CPVC x 1/2" F1960 PEX	25	150	<input type="checkbox"/>
H48241	HPF1960CPVCST34F	3/4" Socket CPVC x 3/4" F1960 PEX	25	100	<input type="checkbox"/>
H48242	HPF1960CPVCST1F	1" Socket CPVC x 1" F1960 PEX	25	50	<input type="checkbox"/>

- Manufactured to ASTM Standard F1960
- Manufactured to ASTM Standard D2846



DIMENSIONS (INCH)			
	A	B	C
Size			
1/2	1.08	1.61	1.13
3/4	1.27	1.84	1.39
1	1.55	2.26	1.70
1-1/4	1.87	2.63	2.15
1-1/2	2.13	2.92	2.44
2	2.61	3.46	3.00

JOB NAME:

JOB LOCATION:

CONTRACTOR:

ENGINEER APPROVAL:

DATE:

DATE:

ITEM TAG:

PART NUMBER: