

## TRANSITION FITTINGS PEX TRANSITION ADAPTER CPVC x F1807 PEX



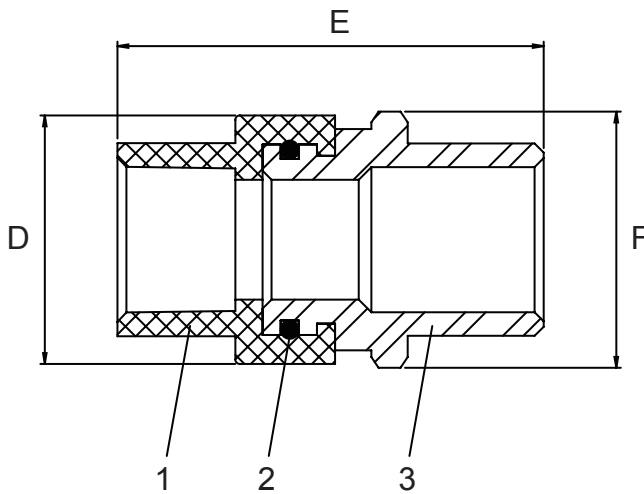
No wrench here  
Use Teflon tape

Part #	Model #	Description (Size)	Inner Carton Qty	Master Carton Qty	Select Model Below
<b>PEX TRANSITION ADAPTER (SPIGOT CPVC x F1807 PEX)</b>					
H48325	HPF1807CPVCST12M	1/2" Spigot CPVC x 1/2" F1807 PEX	25	150	<input type="checkbox"/>
H48326	HPF1807CPVCST34M	3/4" Spigot CPVC x 3/4" F1807 PEX	25	100	<input type="checkbox"/>
H48327	HPF1807CPVCST1M	1" Spigot CPVC x 1" F1807 PEX	25	50	<input type="checkbox"/>

- Manufactured to ASTM Standard F1807
- Manufactured to ASTM Standard D2846



**Pex Connections are  
Stainless Steel**



DIMENSIONS (INCH)			
Size	D	E	F
1/2	1.08	1.85	1.13
3/4	1.27	2.17	1.39
1	1.55	2.48	1.70
1-1/4	1.87	2.85	2.15
1-1/2	2.13	3.19	2.44
2	2.61	3.90	3.00

JOB NAME:

JOB LOCATION:

CONTRACTOR:

DATE:

ITEM TAG:

ENGINEER APPROVAL:

DATE:

PART NUMBER: