

SOLVENT WELD CPVC BALL VALVES

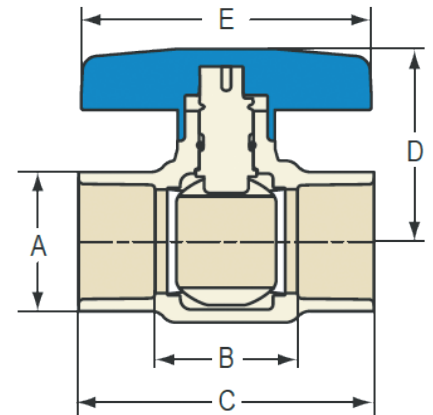


PART #	MODEL #	DESCRIPTION (SIZE)	INNER CARTON QTY.	MASTER CARTON QTY.	SELECT MODEL BELOW
SOLVENT WELD CPVC BALL VALVE					
H50065	STDSW4712	1/2" x 1/2" SOLVENT WELD BALL VALVE	1	100	<input type="checkbox"/>
H50066	STDSW4734	3/4" x 3/4" SOLVENT WELD BALL VALVE	1	100	<input type="checkbox"/>
H50067	STDSW471	1" x 1" SOLVENT WELD BALL VALVE	1	100	<input type="checkbox"/>
H50068	STDSW47114	1-1/4" x 1-1/4" SOLVENT WELD BALL VALVE	1	32	<input type="checkbox"/>
H50069	STDSW47112	1-1/2" x 1-1/2" SOLVENT WELD BALL VALVE	1	24	<input type="checkbox"/>
H50070	STDSW472	2" x 2" SOLVENT WELD BALL VALVE	1	16	<input type="checkbox"/>

FEATURES & BENEFITS

- CPVC CTS Ball Valves
- Full Port
- Blue Handle
- Lead-Free
- **Max Working Pressure: 100 PSI @ 180° F**

MODEL #	SIZE	A	B	C	D	E	APPROX. WEIGHT (LBS)
STDSW4712	1/2"	13/16	1	2-1/32	1-9/32	2-1/32	.09
STDSW4734	3/4"	1-3/32	1-1/4	2-23/32	1-23/32	2-23/32	.15
STDSW471	1"	1-3/8	1-9/16	3-3/8	2-5/16	3-1/2	.27
STDSW47114	1-1/4"	1-21/32	1-9/16	3-13/16	2-3/8	3-1/2	.47
STDSW47112	1-1/2"	1-31/32	1-15/16	4-9/16	2-13/16	3-3/4	.53
STDSW472	2"	2-9/16	2-3/8	5-13/16	3-5/32	4-9/32	1.38



JOB NAME: _____

JOB LOCATION: _____

CONTRACTOR: _____

DATE: _____

ITEM TAG: _____

ENGINEER APPROVAL: _____

DATE: _____

PART NUMBER: _____