

1/2" - 2" SWEAT BRASS BALL VALVES: FULL PORT, 600 WOG

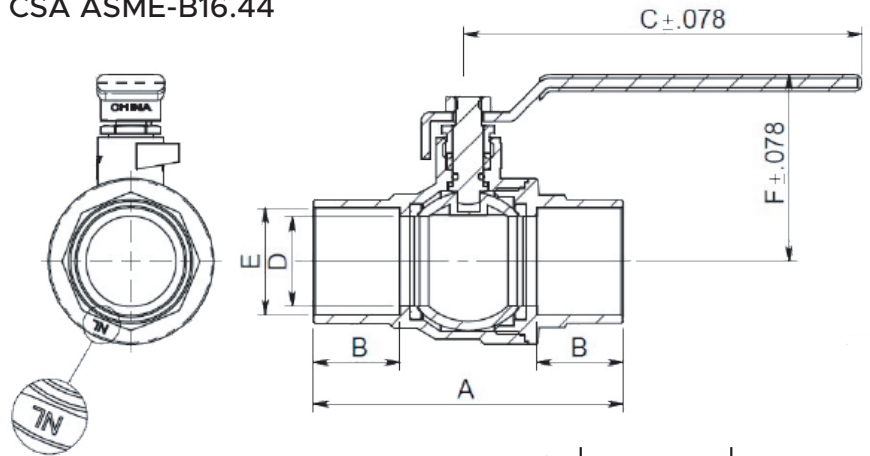


PART #	MODEL #	DESCRIPTION (SIZE)	INNER CARTON QTY.	MASTER CARTON QTY.	SELECT MODEL BELOW
BRASS BALL VALVES (SWEAT x SWEAT)					
H50000	IBVS600LF12	1/2" x 1/2" BRASS SWEAT BALL VALVE	20	100	<input type="checkbox"/>
H50001	IBVS600LF34	3/4" x 3/4" BRASS SWEAT BALL VALVE	10	60	<input type="checkbox"/>
H50002	IBVS600LF1	1" x 1" BRASS SWEAT BALL VALVE	8	40	<input type="checkbox"/>
H50003	IBVS600LF114	1-1/4" x 1-1/4" BRASS SWEAT BALL VALVE	4	24	<input type="checkbox"/>
H50004	IBVS600LF112	1-1/2" x 1-1/2" BRASS SWEAT BALL VALVE	3	18	<input type="checkbox"/>
H50005	IBVS600LF2	2" x 2" BRASS SWEAT BALL VALVE	2	12	<input type="checkbox"/>

FEATURES & BENEFITS

- Brass Construction • Sweat Connection • 600 WOG • Full Port
- Lead-Free • Complies with IAPMO / ANSI Z1157-2014e1
- Complies with NSF / ANSI 14-2010a
- Certified to CSA ASME-B16.44

	A	B	C	D	E	F
1/2"	1.97	.484	3.08	ø.516	ø.625	1.53
3/4"	2.70	.750	4.14	ø.703	ø.875	1.78
1"	3.25	.906	4.14	ø.938	ø1.13	1.95
1-1/4"	3.63	.922	4.92	ø1.20	ø1.38	2.48
1-1/2"	4.30	1.10	4.92	ø1.45	ø1.63	2.67
2"	5.36	1.34	7.09	ø1.95	ø2.13	3.20



PAGE 1 OF 2

CONTINUED ON PAGE 2

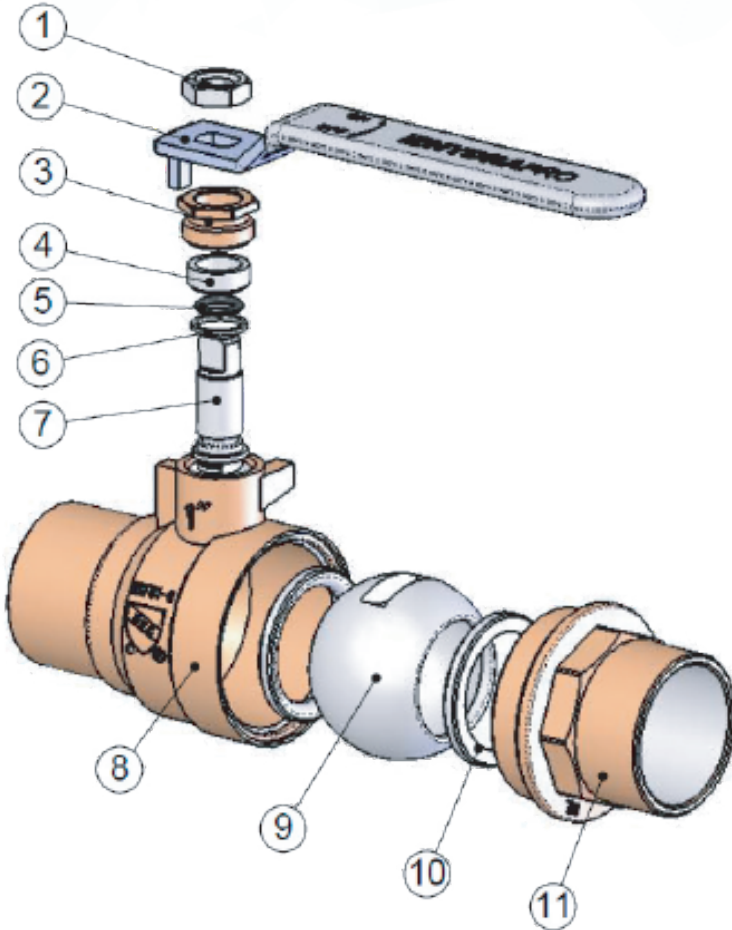
JOB NAME: _____

JOB LOCATION: _____

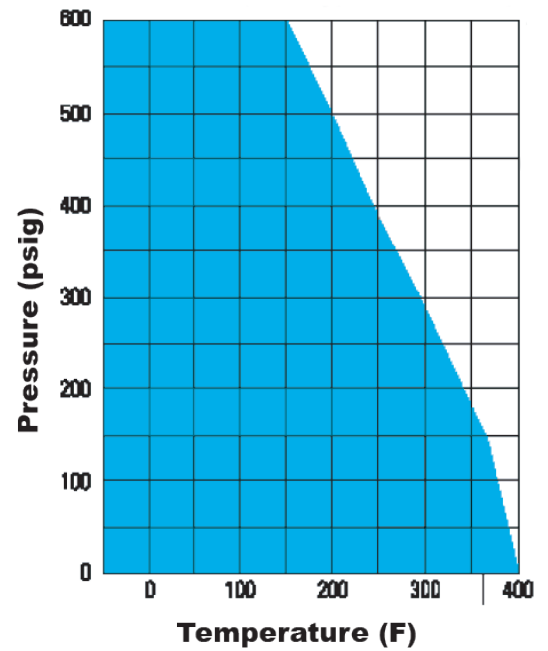
CONTRACTOR: _____ DATE: _____ ITEM TAG: _____

ENGINEER APPROVAL: _____ DATE: _____ PART NUMBER: _____

1/2" - 2" SWEAT BRASS BALL VALVES: FULL PORT, 600 WOG



NO.	PART	MATERIAL
1	Hex-Nut	Steel
2	Handle	Steel
3	Packing Nut	Brass
4	Packing Gland	PTFE
5	O-Ring	EPDM
6	Stem	C46500 Brass: 1/2" - 1" C36000 Brass: 1-1/4" - 2"
7	Washer	PTFE
8	Body	C46500 Brass
9	Ball	C46500 Brass: 1/2" - 1" C36000 Brass: 1-1/4" - 2"
10	Seat	PTFE
11	Bonnet	C46500 Brass



PAGE 2 OF 2

JOB NAME: _____

JOB LOCATION: _____

CONTRACTOR: _____ DATE: _____

ITEM TAG: _____

ENGINEER APPROVAL: _____ DATE: _____

PART NUMBER: _____