

F1807 PEX BRASS BALL VALVES



PART #	MODEL #	DESCRIPTION (SIZE)	INNER CARTON QTY.	MASTER CARTON QTY.	SELECT MODEL BELOW
BRASS BALL VALVES (F1807 PEX x F1807 PEX)					
H50038	PXCP400LF12	1/2" x 1/2" BRASS PEX BALL VALVE	20	100	<input type="checkbox"/>
H50039	PXCP400LF34	3/4" x 3/4" BRASS PEX BALL VALVE	10	60	<input type="checkbox"/>
H50040	PXCP400LF1	1" x 1" BRASS PEX BALL VALVE	8	40	<input type="checkbox"/>

FEATURES & BENEFITS

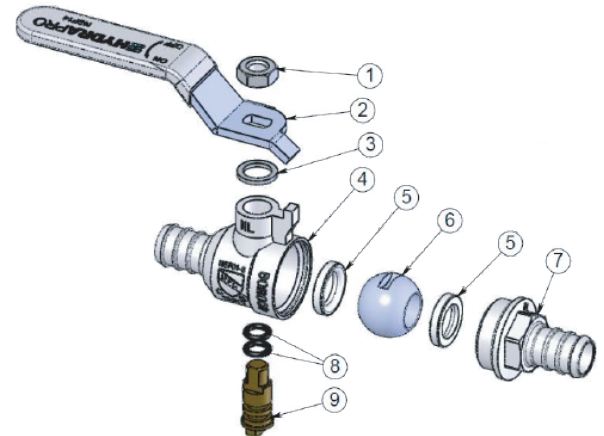
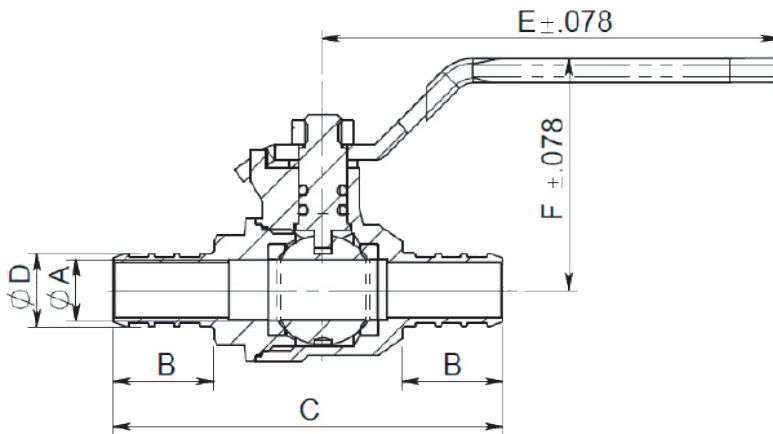
- Brass Construction • Full Port • 400 WOG
- Lead-Free • Complies with IAPMO / ANSI Z1157-2014el
- Complies with NSF / ANSI 14-2010a



	A	B	C	D	E	F
1/2"	.359	.656	2.52	.469	2.47	1.48
3/4"	.531	.656	2.63	.672	3.17	1.56
1"	.703	.813	3.23	.859	4.17	1.97

NO.	PART	MATERIAL
1	Hex-Nut	Steel
2	Handle	Steel
3	Washer	PTFE
4	Body	C46500 Brass
5	Seats	PTFE

NO.	PART	MATERIAL
6	Ball	Stainless Steel
7	Bonnet	C46500 Brass
8	O-Ring	EPDM
9	Stem	C46500 Brass



JOB NAME: _____

JOB LOCATION: _____

CONTRACTOR: _____ DATE: _____ ITEM TAG: _____

ENGINEER APPROVAL: _____ DATE: _____ PART NUMBER: _____