

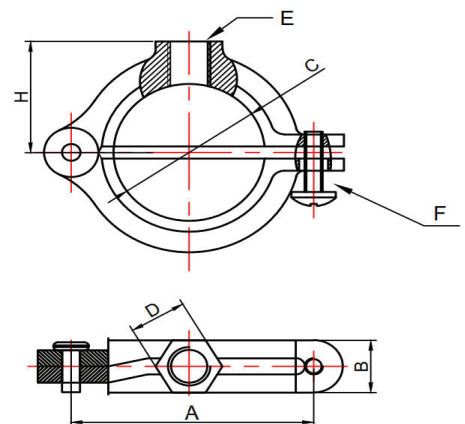
PLAIN SPLIT RING HANGERS



PART #	MODEL #	DESCRIPTION	MAX LOAD (LBS.)	INNER CARTON QTY	MASTER CARTON QTY	SELECT MODEL BELOW
PLAIN SPLIT RING HANGERS						
H33633	HMSRH12B	1/2" Plain Split Ring Hanger	750	1	50	<input type="checkbox"/>
H33634	HMSRH34B	3/4" Plain Split Ring Hanger	750	1	50	<input type="checkbox"/>
H33635	HMSRH1B	1" Plain Split Ring Hanger	750	1	50	<input type="checkbox"/>
H33636	HMSRH114B	1-1/4" Plain Split Ring Hanger	750	1	25	<input type="checkbox"/>
H33637	HMSRH112B	1-1/2" Plain Split Ring Hanger	750	1	25	<input type="checkbox"/>
H33638	HMSRH2B	2" Plain Split Ring Hanger	750	1	25	<input type="checkbox"/>
H33639	HMSRH212B	2-1/2" Plain Split Ring Hanger	850	1	25	<input type="checkbox"/>
H33640	HMSRH3B	3" Plain Split Ring Hanger	1,050	1	25	<input type="checkbox"/>
H33641	HMSRH4B	4" Plain Split Ring Hanger	1,500	1	25	<input type="checkbox"/>



ITEM NO.	SIZE	UNIT: INCH								REQUIRED LOAD (LBS)
		A	B	C	D	H	E	F		
HMSRH12B	1/2"	1.61"	0.53"	0.87"	0.51"	0.77"	3/8"-16UNC	10"-24	750	
HMSRH34B	3/4"	8.98"	0.53"	1.07"	0.51"	0.87"	3/8"-16UNC	10"-24	750	
HMSRH1B	1"	2.15"	0.53"	1.34"	0.51"	1.02"	3/8"-16UNC	10"-24	750	
HMSRH114B	1-1/4"	2.52"	0.53"	1.69"	0.51"	1.20"	3/8"-16UNC	10"-24	750	
HMSRH112B	1-1/2"	2.74"	0.53"	1.92"	0.51"	1.31"	3/8"-16UNC	10"-24	750	
HMSRH2B	2"	3.29"	0.55"	2.40"	0.51"	1.57"	1/2"-13UNC	10"-24	750	
HMSRH212B	2-1/2"	4.07"	0.83"	2.87"	0.87"	2.11"	1/2"-13UNC	1/4"-20UNC	850	
HMSRH3B	3"	4.69"	0.83"	3.50"	0.87"	2.42"	1/2"-13UNC	1/4"-20UNC	1,050	
HMSRH4B	4"	5.71"	0.83"	4.50"	0.87"	2.87"	1/2"-13UNC	1/4"-20UNC	1,500	



FEATURES: • Complies with MSS SP-58 (Type 12) and WW-H-171E (Type 25)

JOB NAME: _____

JOB LOCATION: _____

CONTRACTOR: _____ **DATE:** _____ **ITEM TAG:** _____

ENGINEER APPROVAL: _____ **DATE:** _____ **PART NUMBER:** _____