

ELECTROPLATED SPLIT RING HANGERS

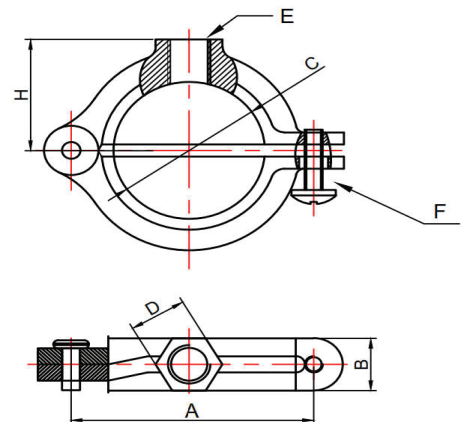


PART #	MODEL #	DESCRIPTION	MAX LOAD (LBS.)	INNER CARTON QTY	MASTER CARTON QTY	SELECT MODEL BELOW
--------	---------	-------------	-----------------	------------------	-------------------	--------------------



ELECTROPLATED SPLIT RING HANGERS						
H33444	HMSRH12E	1/2" Plated Split Ring Hanger	750	1	50	<input type="checkbox"/>
H33445	HMSRH34E	3/4" Plated Split Ring Hanger	750	1	50	<input type="checkbox"/>
H33446	HMSRH1E	1" Plated Split Ring Hanger	750	1	50	<input type="checkbox"/>
H33447	HMSRH114E	1-1/4" Plated Split Ring Hanger	750	1	25	<input type="checkbox"/>
H33448	HMSRH112E	1-1/2" Plated Split Ring Hanger	750	1	25	<input type="checkbox"/>
H33449	HMSRH2E	2" Plated Split Ring Hanger	750	1	25	<input type="checkbox"/>
H33450	HMSRH212E	2-1/2" Plated Split Ring Hanger	850	1	25	<input type="checkbox"/>
H33451	HMSRH3E	3" Plated Split Ring Hanger	1,050	1	25	<input type="checkbox"/>
H33452	HMSRH4E	4" Plated Split Ring Hanger	1,500	1	25	<input type="checkbox"/>

ITEM NO.	SIZE	A	B	C	D	H	E	UNIT: INCH	
								F	REQUIRED LOAD (LBS)
HMSRH12E	1/2"	1.61"	0.53"	0.87"	0.51"	0.77"	3/8"-16UNC	10"-24	750
HMSRH34E	3/4"	8.98"	0.53"	1.07"	0.51"	0.87"	3/8"-16UNC	10"-24	750
HMSRH1E	1"	2.15"	0.53"	1.34"	0.51"	1.02"	3/8"-16UNC	10"-24	750
HMSRH114E	1-1/4"	2.52"	0.53"	1.69"	0.51"	1.20"	3/8"-16UNC	10"-24	750
HMSRH112E	1-1/2"	2.74"	0.53"	1.92"	0.51"	1.31"	3/8"-16UNC	10"-24	750
HMSRH2E	2"	3.29"	0.55"	2.40"	0.51"	1.57"	1/2"-13UNC	10"-24	750
HMSRH212E	2-1/2"	4.07"	0.83"	2.87"	0.87"	2.11"	1/2"-13UNC	1/4"-20UNC	850
HMSRH3E	3"	4.69"	0.83"	3.50"	0.87"	2.42"	1/2"-13UNC	1/4"-20UNC	1,050
HMSRH4E	4"	5.71"	0.83"	4.50"	0.87"	2.87"	1/2"-13UNC	1/4"-20UNC	1,500



FEATURES: • Complies with MSS SP-58 (Type 12) and WW-H-171E (Type 25)

JOB NAME: _____

JOB LOCATION: _____

CONTRACTOR: _____ **DATE:** _____ **ITEM TAG:** _____

ENGINEER APPROVAL: _____ **DATE:** _____ **PART NUMBER:** _____