

## ELECTROPLATED ADJUSTABLE LOOP BAND HANGERS



PART #	MODEL #	DESCRIPTION	MAX LOAD (LBS.)	INNER CARTON QTY	MASTER CARTON QTY	SELECT MODEL BELOW
<b>ELECTROPLATED ADJUSTABLE LOOP BAND HANGERS</b>						
H33431	HMLH12E	1/2" Plated Adjustable Band Hanger	750	1	50	<input type="checkbox"/>
H33432	HMLH34E	3/4" Plated Adjustable Band Hanger	750	1	50	<input type="checkbox"/>
H33433	HMLH1E	1" Plated Adjustable Band Hanger	750	1	50	<input type="checkbox"/>
H33434	HMLH14E	1-1/4" Plated Adjustable Band Hanger	750	1	50	<input type="checkbox"/>
H33435	HMLH12E	1-1/2" Plated Adjustable Band Hanger	750	1	50	<input type="checkbox"/>
H33436	HMLH2E	2" Plated Adjustable Band Hanger	750	1	50	<input type="checkbox"/>
H33437	HMLH212E	2-1/2" Plated Adjustable Band Hanger	850	1	50	<input type="checkbox"/>
H33438	HMLH3E	3" Plated Adjustable Band Hanger	1,050	1	50	<input type="checkbox"/>
H33440	HMLH4E	4" Plated Adjustable Band Hanger	1,500	1	25	<input type="checkbox"/>
H33441	HMLH5E	5" Plated Adjustable Band Hanger	2,000	1	25	<input type="checkbox"/>
H33442	HMLH6E	6" Plated Adjustable Band Hanger	2,650	1	25	<input type="checkbox"/>
H33443	HMLH8E	8" Plated Adjustable Band Hanger	4,050	1	10	<input type="checkbox"/>

- FEATURES:**
- Complies with MSS SP-58 (Type 10) and A-A-1192A (Type 10)
  - UL Listed applies to 1/2" - 8" • FM Approved applies to 3/4" - 8"

JOB NAME: \_\_\_\_\_

JOB LOCATION: \_\_\_\_\_

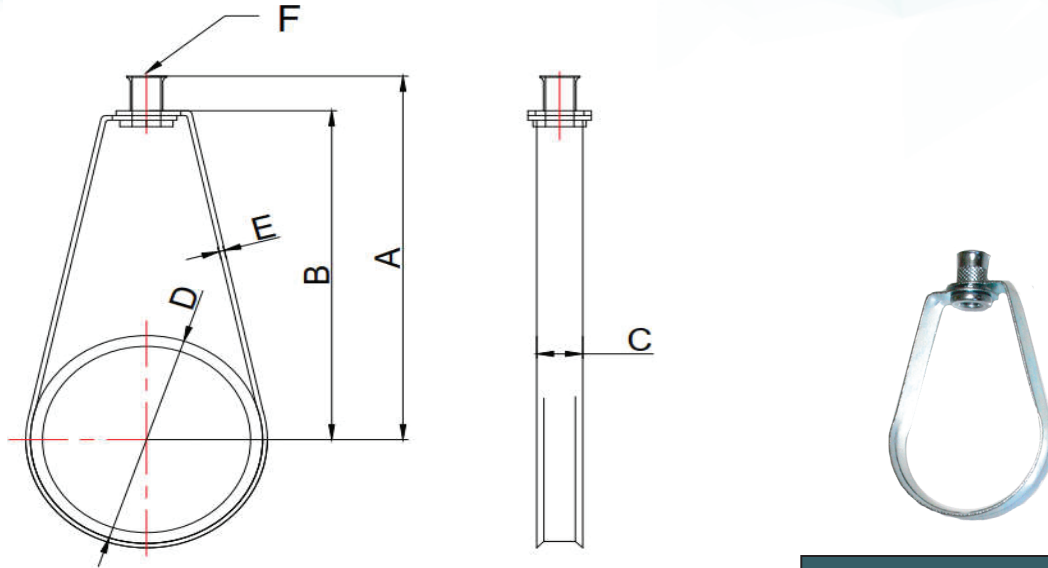
CONTRACTOR: \_\_\_\_\_ DATE: \_\_\_\_\_

ENGINEER APPROVAL: \_\_\_\_\_ DATE: \_\_\_\_\_

ITEM TAG: \_\_\_\_\_

PART NUMBER: \_\_\_\_\_

## ELECTROPLATED ADJUSTABLE LOOP BAND HANGERS


**UNIT: INCH**

ITEM NO.	SIZE	A	B	C	D	E	F	REQUIRED LOAD (LBS)
HMLH12E	1/2"	2.15"	1.63"	0.63"	0.84"	0.05"	3/8"-16UNC	750
HMLH34E	3/4"	2.38"	1.79"	0.63"	1.05"	0.05"	3/8"-16UNC	750
HMLH1E	1"	2.60"	1.95"	0.63"	1.31"	0.05"	3/8"-16UNC	750
HMLH114E	1-1/4"	2.80"	2.13"	0.63"	1.66"	0.05"	3/8"-16UNC	750
HMLH112E	1-1/2"	2.89"	2.22"	0.63"	1.90"	0.05"	3/8"-16UNC	750
HMLH2E	2"	3.09"	2.45"	0.63"	2.37"	0.05"	3/8"-16UNC	750
HMLH212E	2-1/2"	4.28"	3.66"	0.87"	2.87"	0.06"	3/8"-16UNC	850
HMLH3E	3"	4.56"	3.96"	0.87"	3.50"	0.06"	3/8"-16UNC	1,050
HMLH4E	4"	5.09"	4.46"	0.87"	4.50"	0.06"	3/8"-16UNC	1,500
HMLH5E	5"	5.73"	5.34"	0.75"	5.56"	0.10"	1/2"-13UNC	2,000
HMLH6E	6"	6.82"	6.07"	0.75"	6.63"	0.10"	1/2"-13UNC	2,650
HMLH8E	8"	8.33"	7.57"	0.75"	8.63"	0.10"	1/2"-13UNC	4,050

- FEATURES:**
- Complies with MSS SP-58 (Type 10) and A-A-1192A (Type 10)
  - UL Listed applies to 1/2" - 8" • FM Approved applies to 3/4" - 8"

**JOB NAME:** \_\_\_\_\_

**JOB LOCATION:** \_\_\_\_\_

**CONTRACTOR:** \_\_\_\_\_ **DATE:** \_\_\_\_\_

**ENGINEER APPROVAL:** \_\_\_\_\_ **DATE:** \_\_\_\_\_

**ITEM TAG:** \_\_\_\_\_

**PART NUMBER:** \_\_\_\_\_