

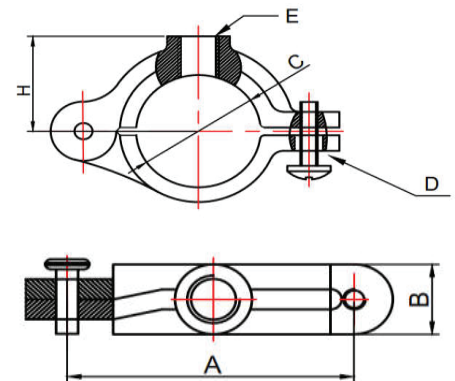
COPPER SPLIT RING HANGERS



PART #	MODEL #	DESCRIPTION	MAX LOAD (LBS.)	INNER CARTON QTY	MASTER CARTON QTY	SELECT MODEL BELOW
COPPER SPLIT RING HANGERS						
H33544	HMSRH12C	1/2" Copper Split Ring Hanger	750	1	50	<input type="checkbox"/>
H33545	HMSRH34C	3/4" Copper Split Ring Hanger	750	1	50	<input type="checkbox"/>
H33546	HMSRH1C	1" Copper Split Ring Hanger	750	1	50	<input type="checkbox"/>
H33547	HMSRH114C	1-1/4" Copper Split Ring Hanger	750	1	25	<input type="checkbox"/>
H33548	HMSRH112C	1-1/2" Copper Split Ring Hanger	750	1	25	<input type="checkbox"/>
H33549	HMSRH2C	2" Copper Split Ring Hanger	750	1	25	<input type="checkbox"/>
H33550	HMSRH212C	2-1/2" Copper Split Ring Hanger	850	1	25	<input type="checkbox"/>
H33551	HMSRH3C	3" Copper Split Ring Hanger	1,050	1	25	<input type="checkbox"/>
H33552	HMSRH4C	4" Copper Split Ring Hanger	1,500	1	25	<input type="checkbox"/>



ITEM NO.	SIZE	A	B	C	H	D	UNIT: INCH	
							E	REQUIRED LOAD (LBS)
HMSRH12C	1/2"	1.49"	0.55"	0.63"	0.69"	10"-24	3/8"-16UNC	750
HMSRH34C	3/4"	1.73"	0.55"	0.87"	0.85"	10"-24	3/8"-16UNC	750
HMSRH1C	1"	2.05"	0.55"	1.13"	0.96"	10"-24	3/8"-16UNC	750
HMSRH114C	1-1/4"	3.22"	0.55"	1.38"	1.12"	10"-24	3/8"-16UNC	750
HMSRH112C	1-1/2"	2.56"	0.55"	1.62"	1.28"	10"-24	3/8"-16UNC	750
HMSRH2C	2"	3.11"	0.55"	2.13"	1.54"	10"-24	3/8"-16UNC	750
HMSRH212C	2-1/2"	3.62"	0.79"	2.61"	1.89"	1/4"-20UNC	1/2"-13UNC	850
HMSRH3C	3"	4.19"	0.79"	3.13"	2.20"	1/4"-20UNC	1/2"-13UNC	1,050
HMSRH4C	4"	5.18"	0.79"	4.12"	2.68"	1/4"-20UNC	1/2"-13UNC	1,500



FEATURES: • Complies with MSS SP-58 (Type 12) and WW-H-171E (Type 25) • Copper Colored Epoxy Finish

JOB NAME: _____

JOB LOCATION: _____

CONTRACTOR: _____ **DATE:** _____ **ITEM TAG:** _____

ENGINEER APPROVAL: _____ **DATE:** _____ **PART NUMBER:** _____