

COPPER ADJUSTABLE LOOP BAND HANGERS



PART #	MODEL #	DESCRIPTION	MAX LOAD (LBS.)	INNER CARTON QTY	MASTER CARTON QTY	SELECT MODEL BELOW
COPPER ADJUSTABLE LOOP BAND HANGERS						
H33531	HMLH12C	1/2" Copper Adjustable Band Hanger	750	1	50	<input type="checkbox"/>
H33532	HMLH34C	3/4" Copper Adjustable Band Hanger	750	1	50	<input type="checkbox"/>
H33533	HMLH1C	1" Copper Adjustable Band Hanger	750	1	50	<input type="checkbox"/>
H33534	HMLH114C	1-1/4" Copper Adjustable Band Hanger	750	1	50	<input type="checkbox"/>
H33535	HMLH112C	1-1/2" Copper Adjustable Band Hanger	750	1	50	<input type="checkbox"/>
H33536	HMLH2C	2" Copper Adjustable Band Hanger	750	1	50	<input type="checkbox"/>
H33537	HMLH212C	2-1/2" Copper Adjustable Band Hanger	850	1	50	<input type="checkbox"/>
H33538	HMLH3C	3" Copper Adjustable Band Hanger	1,050	1	25	<input type="checkbox"/>
H33540	HMLH4C	4" Copper Adjustable Band Hanger	1,500	1	25	<input type="checkbox"/>

- FEATURES:**
- Complies with MSS SP-58 (Type 10) and WW-H-171 (Type 10)
 - UL Listed applies to 1/2" - 8" • FM Approved applies to 3/4" - 8"
 - Copper Colored Epoxy Finish

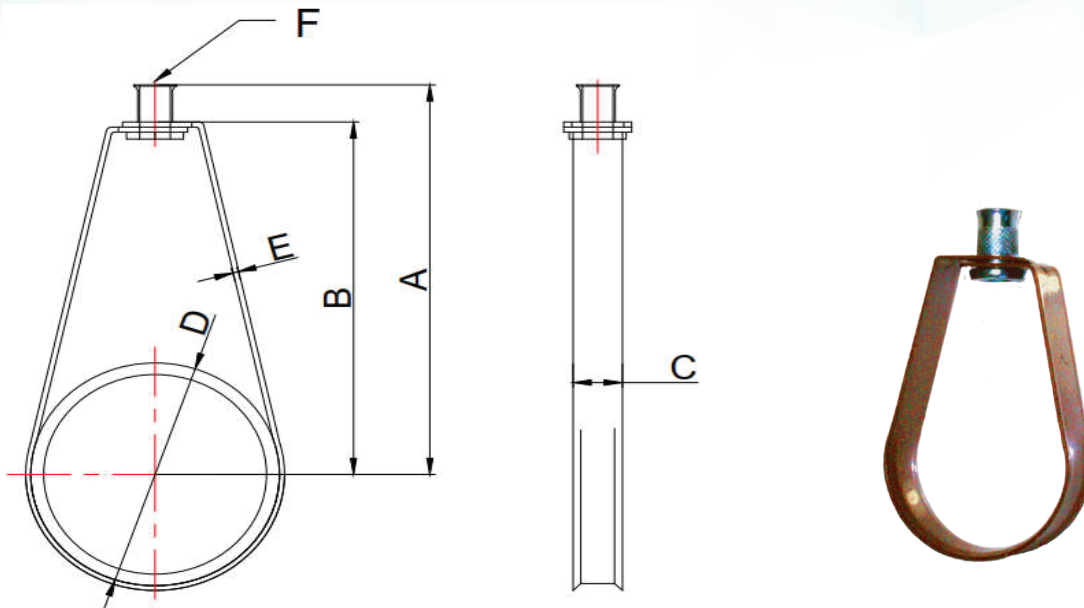
JOB NAME: _____

JOB LOCATION: _____

CONTRACTOR: _____ **DATE:** _____ **ITEM TAG:** _____

ENGINEER APPROVAL: _____ **DATE:** _____ **PART NUMBER:** _____

COPPER ADJUSTABLE LOOP BAND HANGERS



UNIT: INCH

ITEM NO.	SIZE	A	B	C	D	E	F	REQUIRED LOAD (LBS)
HMLH12C	1/2"	2.28"	1.65"	0.87"	0.63"	0.05"	3/8"-16UNC	750
HMLH34C	3/4"	2.47"	1.84"	0.87"	0.88"	0.05"	3/8"-16UNC	750
HMLH1C	1"	2.54"	1.91"	0.87"	1.13"	0.05"	3/8"-16UNC	750
HMLH114C	1-1/4"	2.61"	2.18"	0.87"	1.38"	0.05"	3/8"-16UNC	750
HMLH112C	1-1/2"	2.88"	2.25"	0.87"	1.63"	0.05"	3/8"-16UNC	750
HMLH2C	2"	3.10"	2.47"	0.87"	2.13"	0.05"	3/8"-16UNC	750
HMLH212C	2-1/2"	4.23"	3.60"	0.87"	2.63"	0.06"	3/8"-16UNC	850
HMLH3C	3"	4.57"	3.94"	0.87"	3.13"	0.06"	3/8"-16UNC	1,050
HMLH4C	4"	5.09"	4.46"	0.87"	4.13"	0.06"	3/8"-16UNC	1,500

- FEATURES:**
- Complies with MSS SP-58 (Type 10) and WW-H-171 (Type 10)
 - UL Listed applies to 1/2" - 8" • FM Approved applies to 3/4" - 8"
 - Copper Colored Epoxy Finish

JOB NAME: _____

JOB LOCATION: _____

CONTRACTOR: _____ **DATE:** _____

ITEM TAG: _____

ENGINEER APPROVAL: _____ **DATE:** _____

PART NUMBER: _____