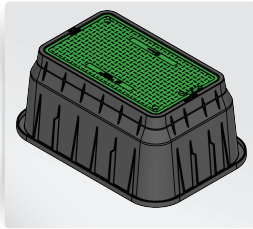


18" DEEP JUMBO RECTANGULAR VALVE BOXES WITH ENGRAVING ON LID

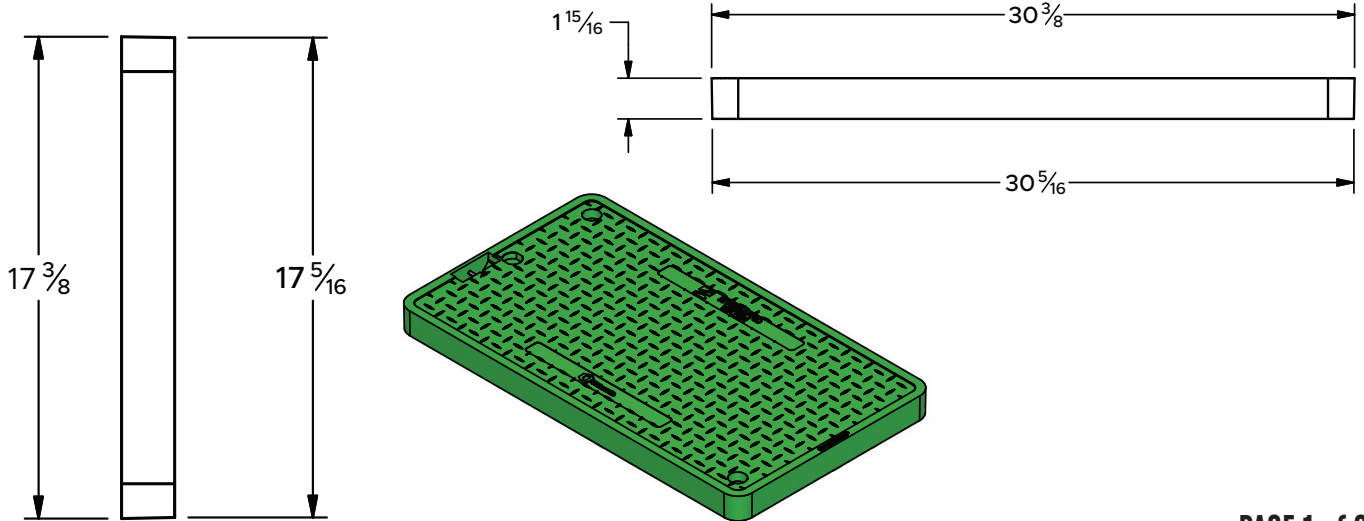


PART #	MODEL #	DESCRIPTION	PALLET QUANTITY	SELECT MODEL BELOW
18" DEEP JUMBO RECTANGULAR VALVE BOXES WITH GREEN LID				
H74522	HPVBRECT18W	18" DEEP JUMBO RECTANGULAR BLACK VALVE with GREEN LID (WATER)	16	<input type="checkbox"/>

FEATURES & MATERIALS

- Polypropylene material for maximum durability and corrosion resistance
- UV Resistant • Textured lid to help prevent slipping
- Snap-In Top Lid

DRAWINGS & MEASUREMENTS



PAGE 1 of 2

JOB NAME: _____

JOB LOCATION: _____

CONTRACTOR: _____ DATE: _____

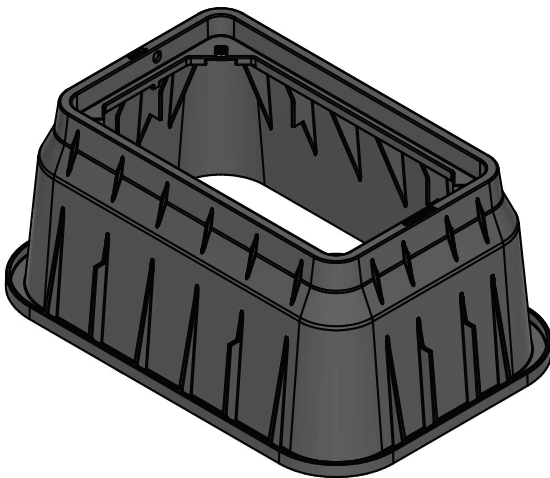
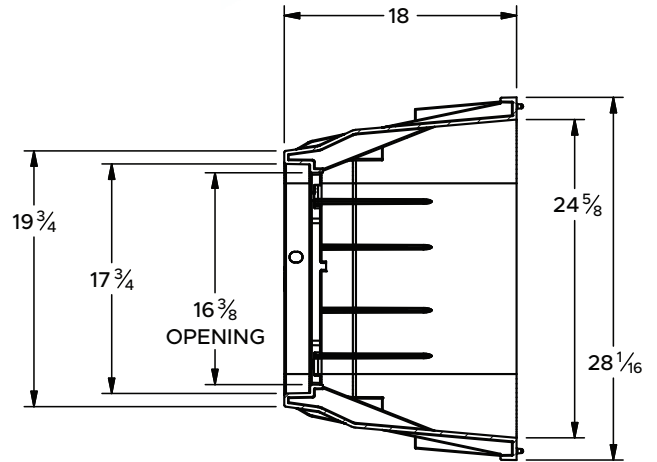
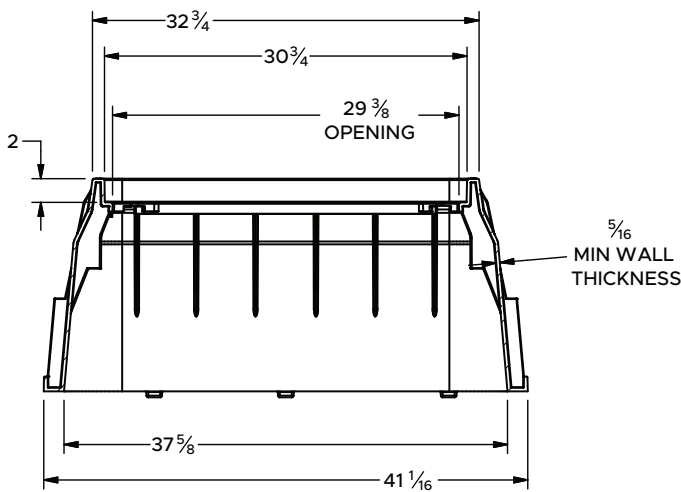
ENGINEER APPROVAL: _____ DATE: _____

ITEM TAG: _____

PART NUMBER: _____

18" DEEP JUMBO RECTANGULAR VALVE BOXES WITH ENGRAVING ON LID

DRAWINGS & MEASUREMENTS



JOB NAME: _____

JOB LOCATION: _____

CONTRACTOR: _____ DATE: _____

ENGINEER APPROVAL: _____ DATE: _____

ITEM TAG: _____

PART NUMBER: _____