

BIG JUMBO RECTANGULAR METER BOX WITH WATER ENGRAVING ON LID



PART #	MODEL #	DESCRIPTION	PALLET QUANTITY	SELECT MODEL BELOW
BIG JUMBO "WATER" ENGRAVING ON LID				
H73524	N661	15" DEEP JUMBO RECTANGULAR METER BOX (WATER)	40	<input type="checkbox"/>

FEATURES & MATERIALS

- Polypropylene material for maximum durability and corrosion resistance
- UV Resistant • Textured lid to help prevent slipping
- Snap-In Top Lid

JOB NAME: _____

JOB LOCATION: _____

CONTRACTOR: _____ DATE: _____

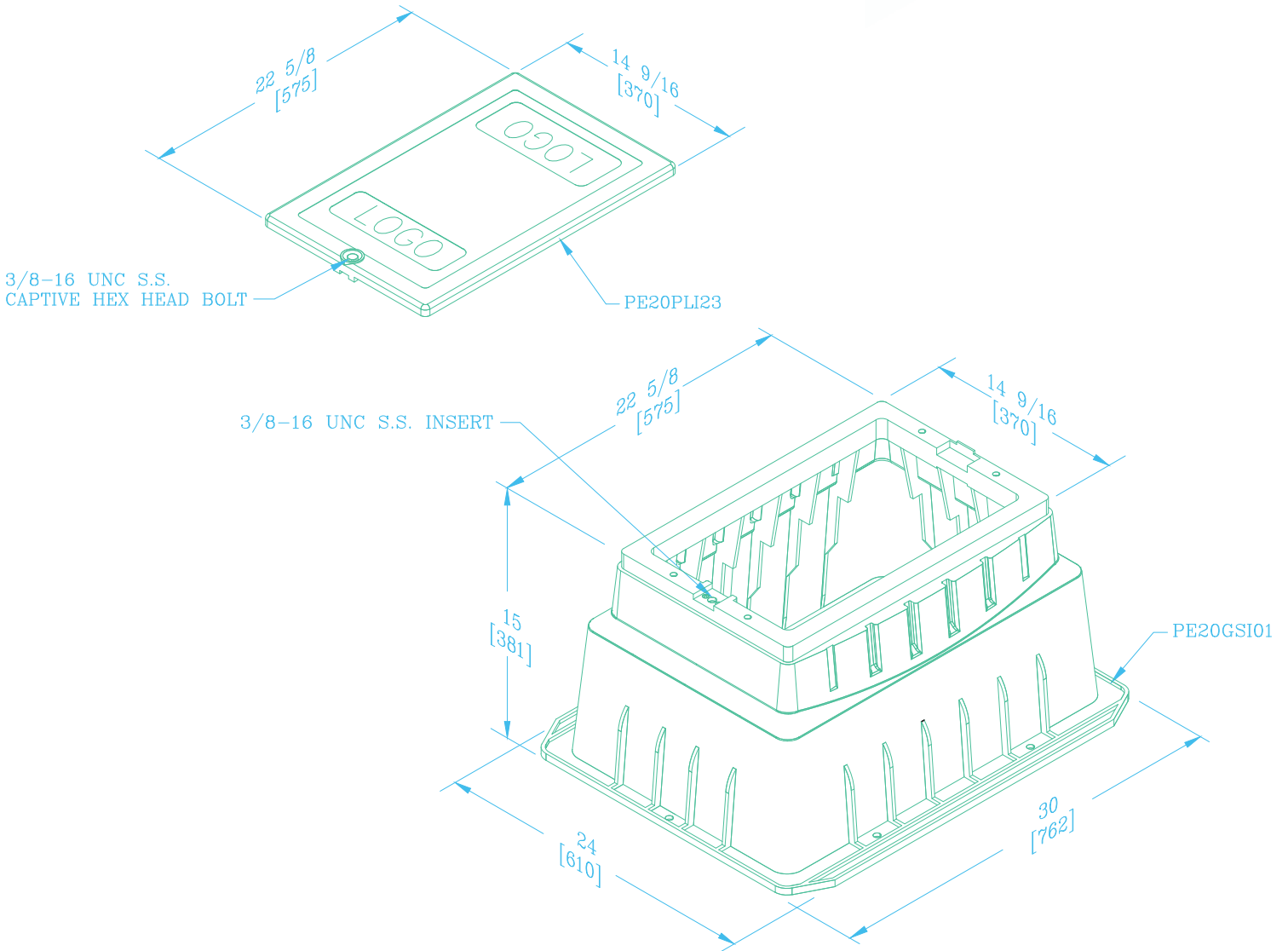
ENGINEER APPROVAL: _____ DATE: _____

ITEM TAG: _____

PART NUMBER: _____

BIG JUMBO RECTANGULAR METER BOX WITH WATER ENGRAVING ON LID

DRAWINGS & MEASUREMENTS



PAGE 2 of 2

JOB NAME: _____

JOB LOCATION: _____

CONTRACTOR: _____ DATE: _____

ENGINEER APPROVAL: _____ DATE: _____

ITEM TAG: _____

PART NUMBER: _____