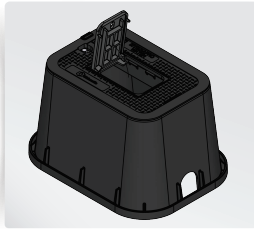
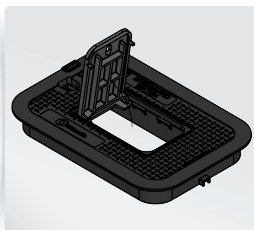


12" DEEP RECTANGULAR VALVE BOXES WITH BLACK METER READ LID



PART #	MODEL #	DESCRIPTION	PALLET QUANTITY	SELECT MODEL BELOW
DEEP RECTANGULAR VALVE BOXES WITH BLACK METER READ LID				
H74511	HPVBRECT12WMR	12" DEEP RECTANGULAR BLACK VALVE BOX with BLACK METER READ LID	78	<input type="checkbox"/>

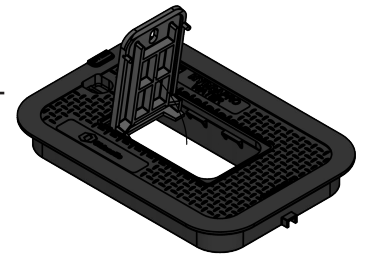
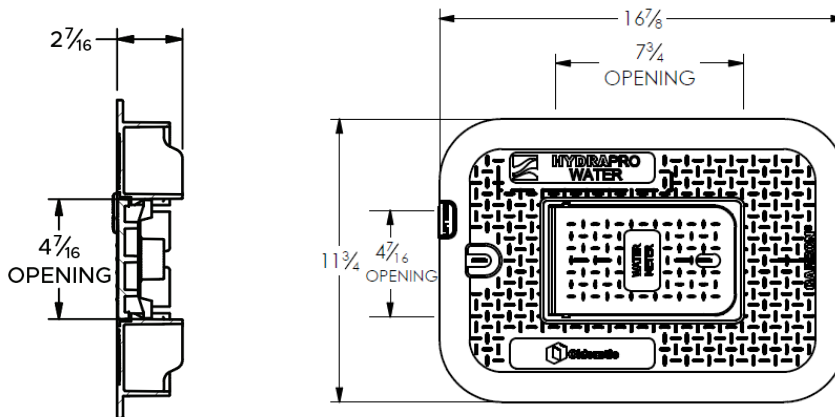


DEEP RECTANGULAR VALVE BOX BLACK METER LID				
H74515	HPVBRECT12WMRLID	12" DEEP RECTANGULAR BLACK VALVE BOX BLACK METER READ GREEN LID ONLY	-	<input type="checkbox"/>

FEATURES & MATERIALS

- Polypropylene material for maximum durability and corrosion resistance
- UV Resistant • Textured lid to help prevent slipping
- Snap-In Top Lid

DRAWINGS & MEASUREMENTS



JOB NAME: _____

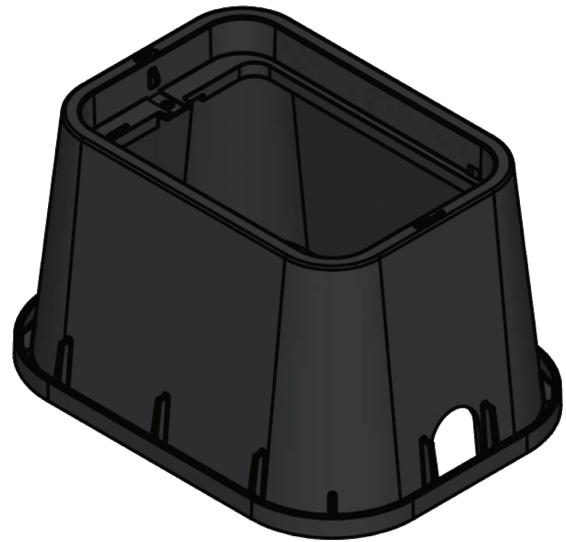
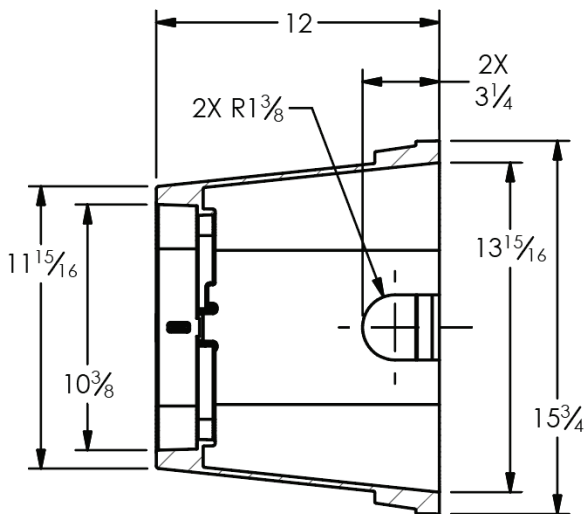
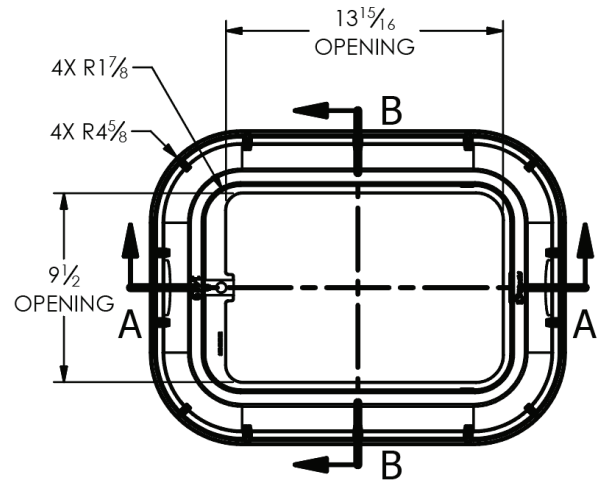
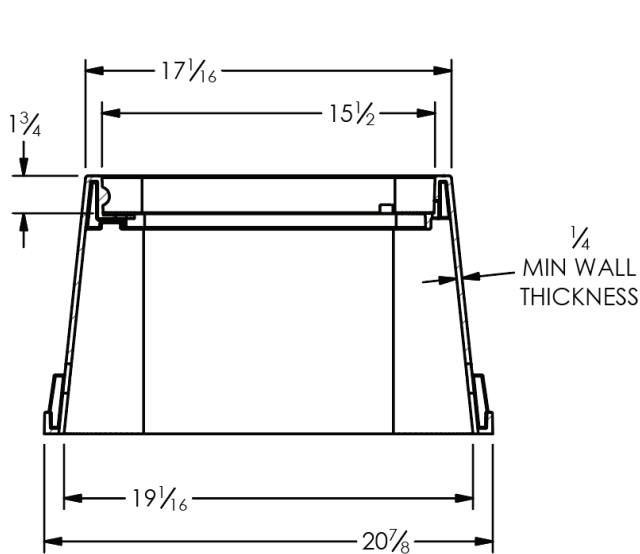
JOB LOCATION: _____

CONTRACTOR: _____ DATE: _____ ITEM TAG: _____

ENGINEER APPROVAL: _____ DATE: _____ PART NUMBER: _____

12" DEEP RECTANGULAR VALVE BOXES WITH BLACK METER READ LID

DRAWINGS & MEASUREMENTS



PAGE 2 of 2

JOB NAME:

JOB LOCATION:

CONTRACTOR:

ENGINEER APPROVAL:

DATE:

DATE:

ITEM TAG:

PART NUMBER: