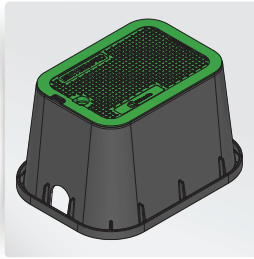
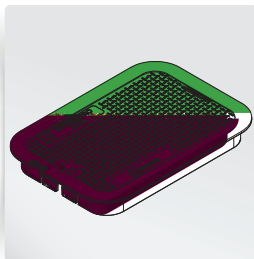


## 12" DEEP RECTANGULAR VALVE BOXES WITH ENGRAVING ON LID



| PART #                              | MODEL #    | DESCRIPTION   | PALLET QUANTITY | SELECT MODEL BELOW       |
|-------------------------------------|------------|---|-----------------|--------------------------|
| <b>DEEP RECTANGULAR VALVE BOXES</b> |            |   |                 |                          |
| H74508                              | HPVRECT12I | 12" DEEP RECTANGULAR BLACK VALVE BOX with GREEN LID ( <b>IRRIGATION CONTROL VALVE</b> ) | 78              | <input type="checkbox"/> |
| H74526                              | HPVRECT12E | 12" DEEP RECTANGULAR BLACK VALVE BOX with GREEN LID ( <b>ELECTRIC</b> )                 | 78              | <input type="checkbox"/> |
| H74509                              | HPVRECT12G | 12" DEEP RECTANGULAR BLACK VALVE BOX with GREEN LID ( <b>GAS</b> )                      | 78              | <input type="checkbox"/> |
| H74510                              | HPVRECT12S | 12" DEEP RECTANGULAR BLACK VALVE BOX with GREEN LID ( <b>SEWER</b> )                    | 78              | <input type="checkbox"/> |



| <b>DEEP RECTANGULAR VALVE BOX LIDS</b> |               |   |    |                          |
|--|---------------|---|----|--------------------------|
| H74512                                 | HPVRECT12ILID | 12" DEEP RECTANGULAR BLACK VALVE BOX GREEN LID ONLY ( <b>IRRIGATION CONTROL VALVE</b> ) | -  | <input type="checkbox"/> |
| H74527                                 | HPVRECT12ELID | 12" DEEP RECTANGULAR BLACK VALVE BOX GREEN LID ONLY ( <b>ELECTRIC</b> )                 | -  | <input type="checkbox"/> |
| H74513                                 | HPVRECT12GLID | 12" DEEP RECTANGULAR BLACK VALVE BOX GREEN LID ONLY ( <b>GAS</b> )                      | -  | <input type="checkbox"/> |
| H74514                                 | HPVRECT12SLID | 12" DEEP RECTANGULAR BLACK VALVE BOX GREEN LID ONLY ( <b>SEWER</b> )                    | -  | <input type="checkbox"/> |
| H74516                                 | HPVRECT12EXT  | 6" EXTENSION FOR 12" DEEP RECTANGULAR BOX   | 42 | <input type="checkbox"/> |

### FEATURES & MATERIALS

- Polypropylene material for maximum durability and corrosion resistance
- UV Resistant
- Textured lid to help prevent slipping
- Snap-In Top Lid

JOB NAME: \_\_\_\_\_

JOB LOCATION: \_\_\_\_\_

CONTRACTOR: \_\_\_\_\_ DATE: \_\_\_\_\_

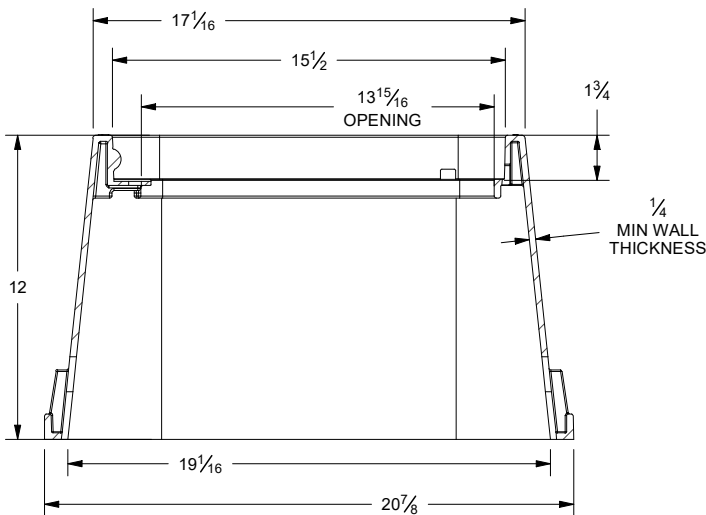
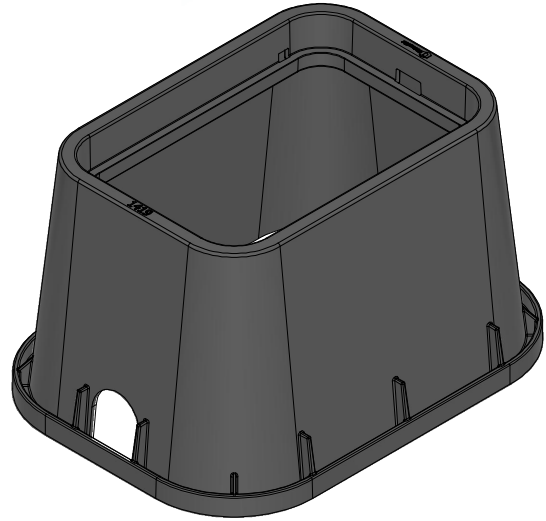
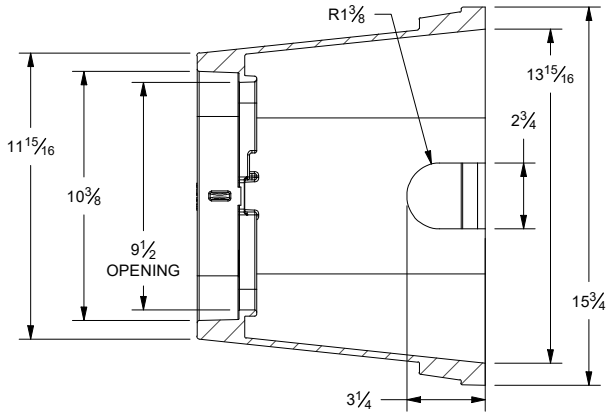
ITEM TAG: \_\_\_\_\_

ENGINEER APPROVAL: \_\_\_\_\_ DATE: \_\_\_\_\_

PART NUMBER: \_\_\_\_\_

## 12" DEEP RECTANGULAR VALVE BOXES WITH ENGRAVING ON LID

### DRAWINGS & MEASUREMENTS



PAGE 2 of 3

JOB NAME:

JOB LOCATION:

CONTRACTOR:

DATE:

ITEM TAG:

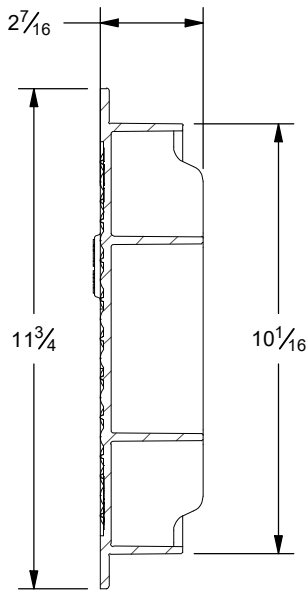
ENGINEER APPROVAL:

DATE:

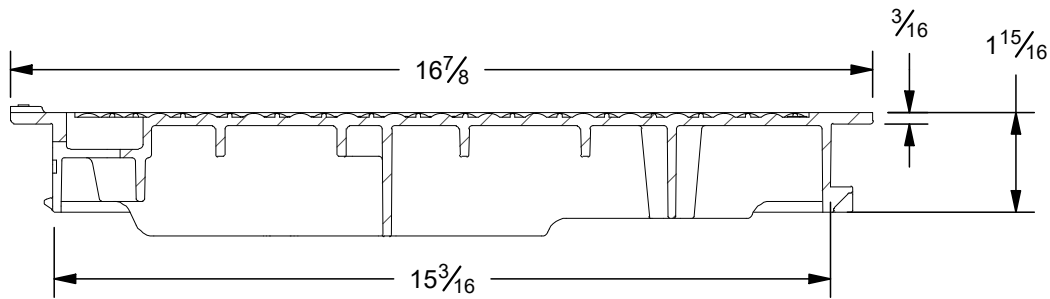
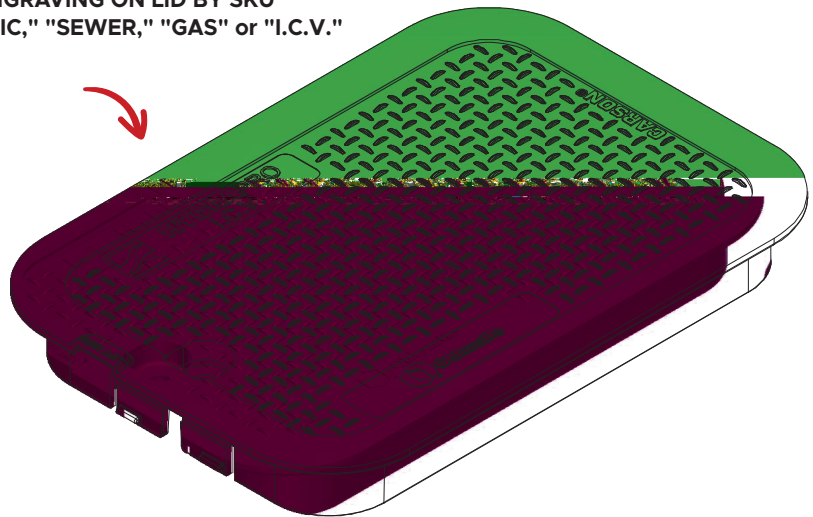
PART NUMBER:

## 12" DEEP RECTANGULAR VALVE BOXES WITH ENGRAVING ON LID

### DRAWINGS & MEASUREMENTS



ENGRAVING ON LID BY SKU  
"ELECTRIC," "SEWER," "GAS" or "I.C.V."



JOB NAME: \_\_\_\_\_

JOB LOCATION: \_\_\_\_\_

CONTRACTOR: \_\_\_\_\_ DATE: \_\_\_\_\_ ITEM TAG: \_\_\_\_\_

ENGINEER APPROVAL: \_\_\_\_\_ DATE: \_\_\_\_\_ PART NUMBER: \_\_\_\_\_