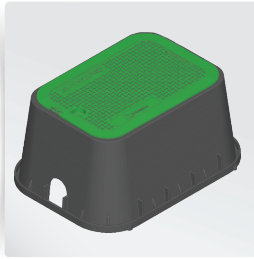
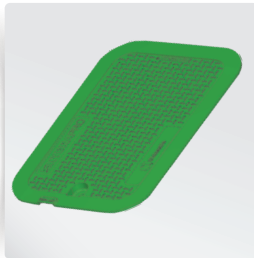


12" DEEP JUMBO RECTANGULAR VALVE BOXES WITH ENGRAVING ON LID



PART #	MODEL #	DESCRIPTION	PALLET QUANTITY	SELECT MODEL BELOW
DEEP JUMBO RECTANGULAR VALVE BOXES				
H74517	HPVBJRECT12W	12" DEEP JUMBO RECT. BLACK VALVE BOX with GREEN LID (WATER)	48	<input type="checkbox"/>
H74518	HPVBJRECT12G	12" DEEP JUMBO RECT. BLACK VALVE BOX with GREEN LID (GAS)	48	<input type="checkbox"/>



DEEP JUMBO RECTANGULAR VALVE BOX LIDS				
H74520	HPVBJRECT12WLID	12" DEEP JUMBO RECT. BLACK VALVE BOX GREEN LID ONLY (WATER)	-	<input type="checkbox"/>
H74519	HPVBJRECT12GLID	12" DEEP JUMBO RECT. BLACK VALVE BOX GREEN LID ONLY (GAS)	-	<input type="checkbox"/>

FEATURES & MATERIALS

- Polypropylene material for maximum durability and corrosion resistance
- UV Resistant
- Textured lid to help prevent slipping
- Snap-In Top Lid

JOB NAME: _____

JOB LOCATION: _____

CONTRACTOR: _____ DATE: _____

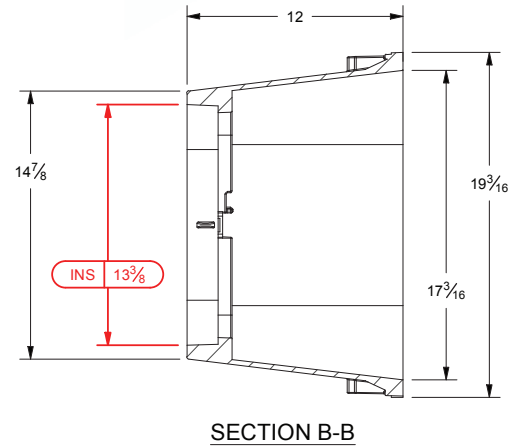
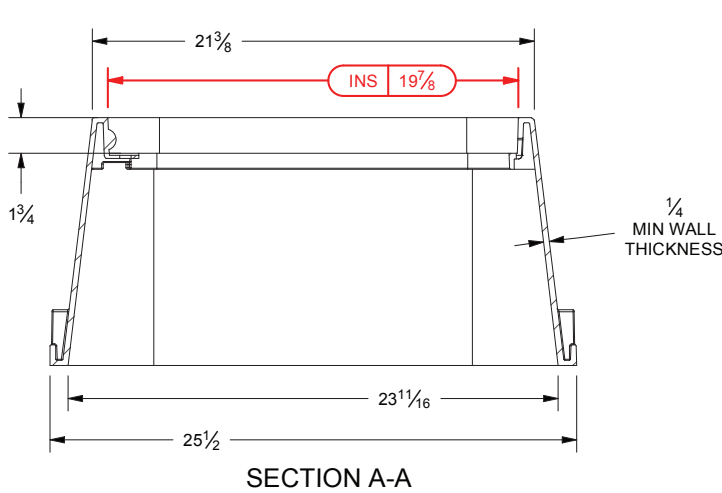
ENGINEER APPROVAL: _____ DATE: _____

ITEM TAG: _____

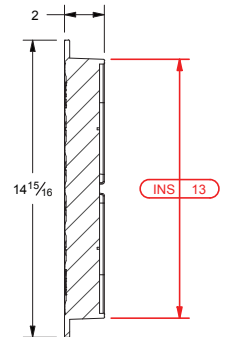
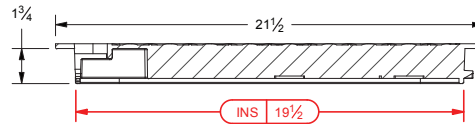
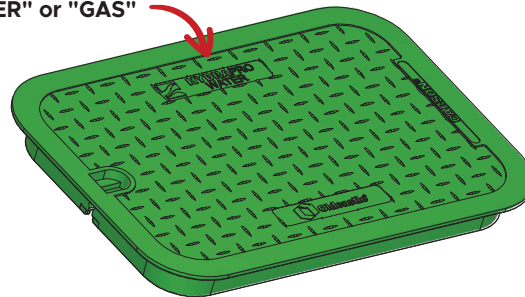
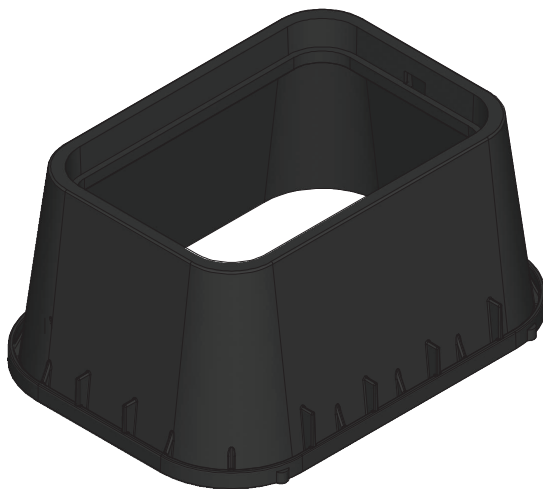
PART NUMBER: _____

12" DEEP JUMBO RECTANGULAR VALVE BOXES WITH ENGRAVING ON LID

DRAWINGS & MEASUREMENTS



ENGRAVING ON LID BY SKU
"WATER" or "GAS"



PAGE 2 of 2

JOB NAME:

JOB LOCATION:

CONTRACTOR:

ENGINEER APPROVAL:

DATE:

DATE:

ITEM TAG:

PART NUMBER: