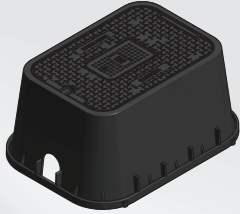


12" DEEP JUMBO RECTANGULAR VALVE BOXES WITH BLACK METER READ LID



PART #	MODEL #	DESCRIPTION	PALLET QUANTITY	SELECT MODEL BELOW
DEEP JUMBO RECTANGULAR VALVE BOXES with BLACK METER READ LID				
H74523	HPVBJRECT12WMR	12" DEEP JUMBO RECT. BLACK VALVE BOX with BLACK LID (METER READ)	48	<input type="checkbox"/>



DEEP JUMBO RECTANGULAR VALVE BOX BLACK METER READ LID ONLY				
H74524	HPVBJRECT12WMRLID	12" DEEP JUMBO RECT. BLACK VALVE BOX BLACK LID ONLY (METER READ)	-	<input type="checkbox"/>

FEATURES & MATERIALS

- Polypropylene material for maximum durability and corrosion resistance
- UV Resistant
- Textured lid to help prevent slipping
- Snap-In Top Lid

JOB NAME: _____

JOB LOCATION: _____

CONTRACTOR: _____ DATE: _____

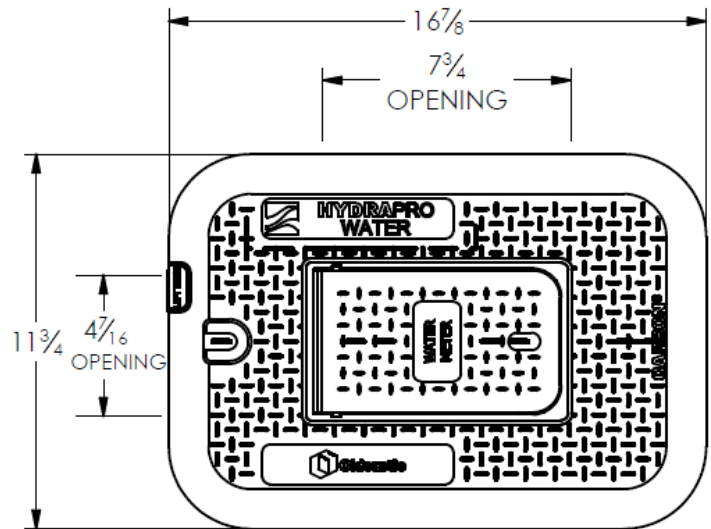
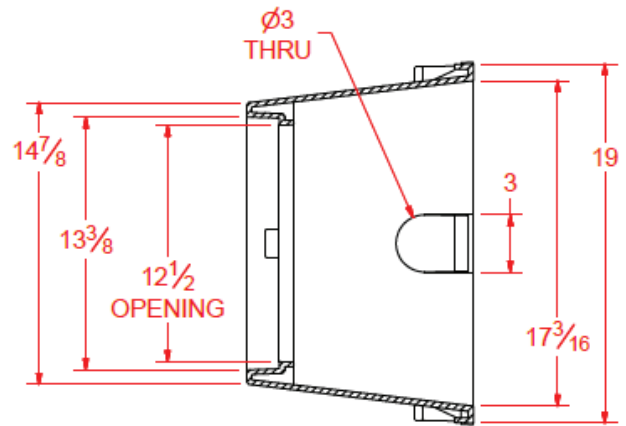
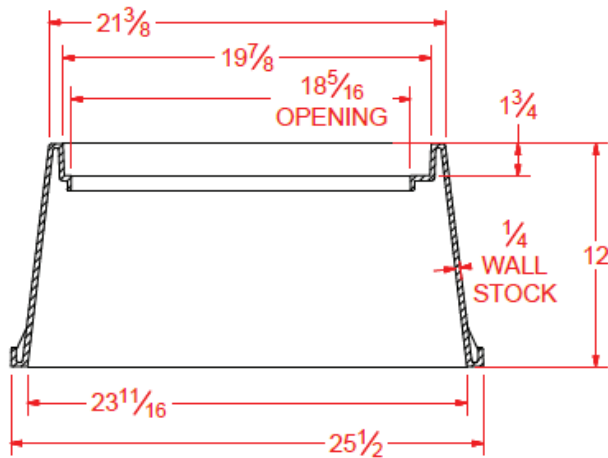
ENGINEER APPROVAL: _____ DATE: _____

ITEM TAG: _____

PART NUMBER: _____

12" DEEP JUMBO RECTANGULAR VALVE BOXES WITH BLACK METER READ LID

DRAWINGS & MEASUREMENTS



JOB NAME:

JOB LOCATION:

CONTRACTOR:

ENGINEER APPROVAL:

DATE:

DATE:

ITEM TAG:

PART NUMBER: