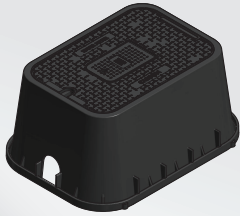
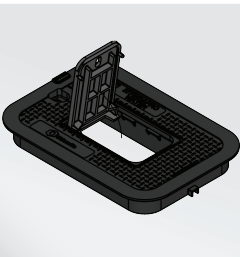


## 12" DEEP JUMBO RECTANGULAR VALVE BOXES WITH BLACK METER READ LID



PART #	MODEL #	DESCRIPTION	PALLET QUANTITY	SELECT MODEL BELOW
<b>DEEP JUMBO RECTANGULAR VALVE BOXES with BLACK METER READ LID</b>				
H74523	HPVBJRECT12WMR	12" DEEP JUMBO RECT. BLACK VALVE BOX with BLACK LID (METER READ)	48	<input type="checkbox"/>



<b>DEEP JUMBO RECTANGULAR VALVE BOX BLACK METER READ LID ONLY</b>				
H74524	HPVBJRECT12WMRLID	12" DEEP JUMBO RECT. BLACK VALVE BOX BLACK LID ONLY (METER READ)	-	<input type="checkbox"/>

### FEATURES & MATERIALS

- Polypropylene material for maximum durability and corrosion resistance
- UV Resistant • Textured lid to help prevent slipping
- Snap-In Top Lid

JOB NAME: \_\_\_\_\_

JOB LOCATION: \_\_\_\_\_

CONTRACTOR: \_\_\_\_\_ DATE: \_\_\_\_\_

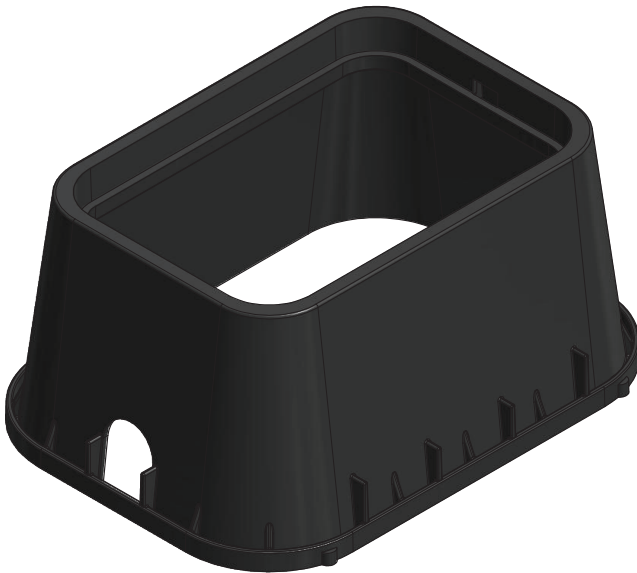
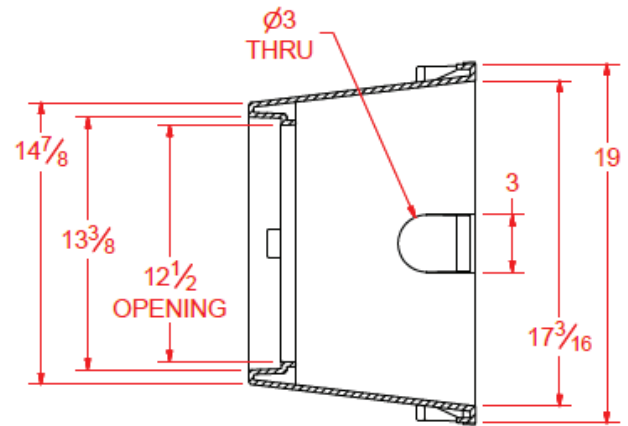
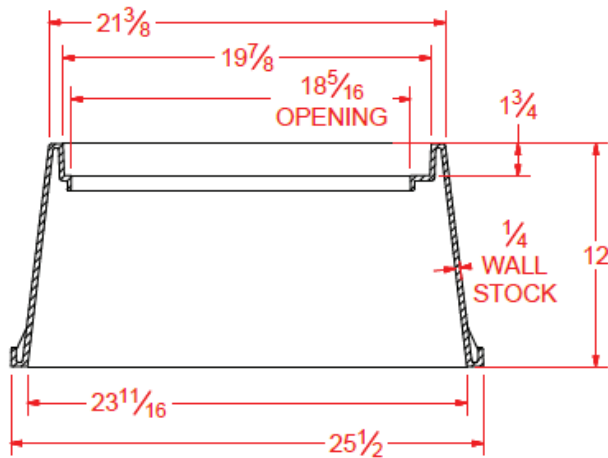
ITEM TAG: \_\_\_\_\_

ENGINEER APPROVAL: \_\_\_\_\_ DATE: \_\_\_\_\_

PART NUMBER: \_\_\_\_\_

## 12" DEEP JUMBO RECTANGULAR VALVE BOXES WITH BLACK METER READ LID

### DRAWINGS & MEASUREMENTS



JOB NAME: \_\_\_\_\_

JOB LOCATION: \_\_\_\_\_

CONTRACTOR: \_\_\_\_\_ DATE: \_\_\_\_\_

ENGINEER APPROVAL: \_\_\_\_\_ DATE: \_\_\_\_\_

ITEM TAG: \_\_\_\_\_

PART NUMBER: \_\_\_\_\_