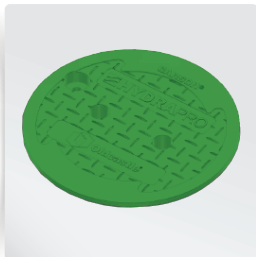
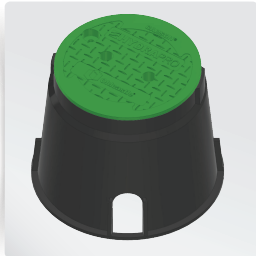


10" ROUND VALVE BOXES WITH ENGRAVING ON LID

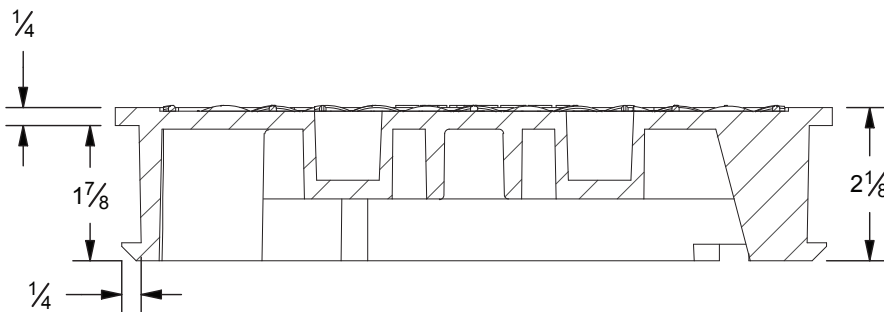


PART #	MODEL #	DESCRIPTION	PALLET QUANTITY	SELECT MODEL BELOW
ROUND VALVE BOXES				
H74502	HPVBRND10I	10" ROUND BLACK VALVE BOX with GREEN LID (IRRIGATION CONTROL VALVE)	99	<input type="checkbox"/>
H74503	HPVBRND10S	10" ROUND BLACK VALVE BOX with GREEN LID (SEWER)	99	<input type="checkbox"/>
ROUND VALVE BOX LIDS				
H74504	HPVBRND10ILID	10" ROUND GREEN LID ONLY (IRRIGATION CONTROL VALVE)	-	<input type="checkbox"/>
H74505	HPVBRND10SLID	10" ROUND GREEN LID ONLY (SEWER)	-	<input type="checkbox"/>

FEATURES & MATERIALS

- Polypropylene material for maximum durability and corrosion resistance
- UV Resistant • Textured lid to help prevent slipping
- Snap-In Top Lid

DRAWINGS & MEASUREMENTS



ENGRAVING ON LID BY SKU
"SEWER" or "I.C.V."



PAGE 1 of 2

JOB NAME: _____

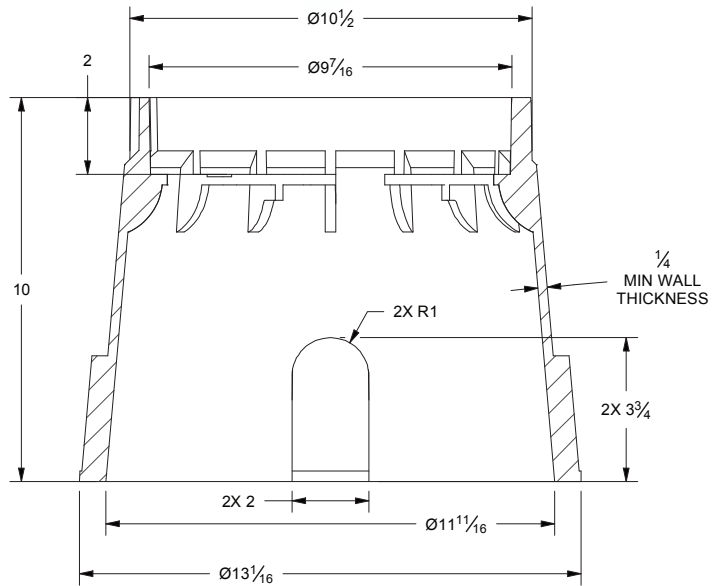
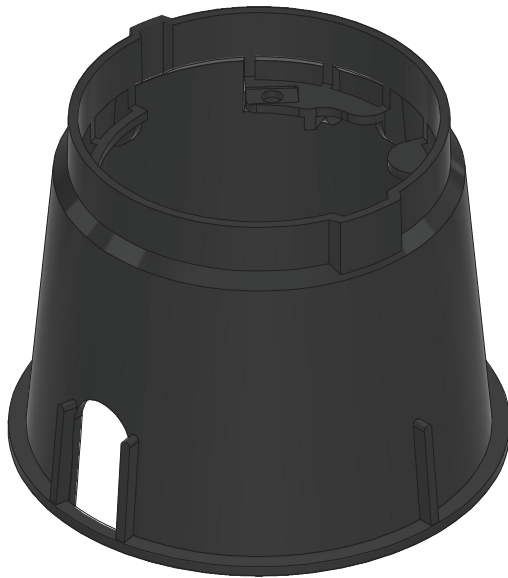
JOB LOCATION: _____

CONTRACTOR: _____ DATE: _____ ITEM TAG: _____

ENGINEER APPROVAL: _____ DATE: _____ PART NUMBER: _____

10" ROUND VALVE BOXES WITH ENGRAVING ON LID

DRAWINGS & MEASUREMENTS



JOB NAME: _____

JOB LOCATION: _____

CONTRACTOR: _____ DATE: _____

ITEM TAG: _____

ENGINEER APPROVAL: _____ DATE: _____

PART NUMBER: _____