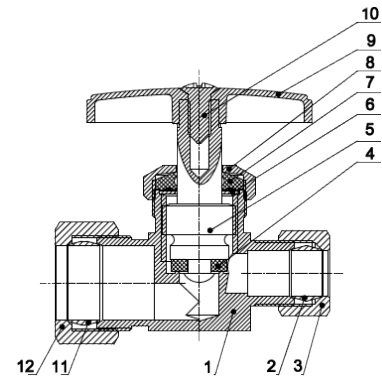
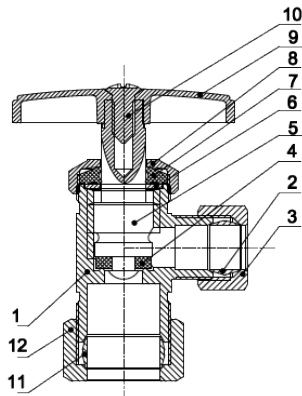


## Multi Turn Supply Stop Valves



- Compression inlet x compression outlet
- Brass body
- EPDM Rubber seal
- Individually bagged and barcoded
- cUPC Approved and Lead Free

ITEM #	DESCRIPTION (INLET X OUTLET)	INNER CARTON QTY	MASTER CARTON QTY
HPMTLFCOMPAS	5/8" OD X 3/8" OD Angle	24	96
HPMTLFCOMPASRB	5/8" OD X 3/8" OD Angle RB	24	96
HPMTLFCOMPSS	5/8" OD X 3/8" OD Straight	24	96



ANGLE STOP		
NO.	Part	Material
1	Body	C46500 Brass
2	3/8" Comp. Ring	H62
3	9/16" Nut	C37700 Brass
4	Gasket	NBR
5	Stem	POM
6	Check Ring	304 Stainless Steel
7	Sealing Seat	NBR
8	Bonnet	C37700 Brass
9	Oval Handle	Zinc
10	Handle Screw	201 Stainless Steel
11	5/8" Comp. Ring	H61
12	13/16" Nut	C37700 Brass

STRAIGHT STOP		
NO.	Part	Material
1	Body	C46500 Brass
2	3/8" Comp. Ring	H62
3	9/16" Nut	C37700 Brass
4	Gasket	NBR
5	Stem	POM
6	Check Ring	304 Stainless Steel
7	Sealing Seat	NBR
8	Bonnet	C37700 Brass
9	Oval Handle	Zinc
10	Handle Screw	201 Stainless Steel
11	5/8" Comp. Ring	H61
12	13/16" Nut	C37700 Brass

\*Lead Free refers to the wetted surface of pipe, fittings and fixtures in potable water systems that have a weighted average lead content ≤ 0.25% per the Safe Drinking Water Act (Sec. 1417) amended 1-4-2011 and other equivalent state regulations.

**HYDRAPRO INC.**

Phone: 877-813-2333; Fax 877-249-8435

Atlanta - Boston - Dallas - Pompano Beach - Houston - Philadelphia

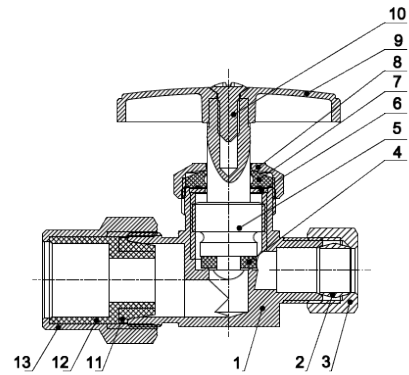
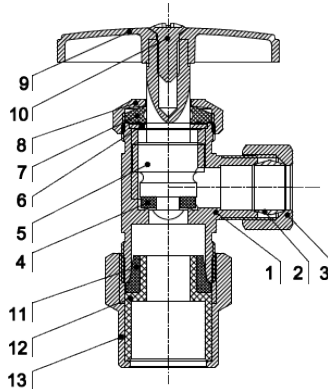
www.hydrapro.biz

## Multi Turn Supply Stop Valves

- CPVC inlet x compression outlet
- Brass body
- EPDM Rubber seal
- Individually bagged and barcoded
- cUPC Approved and Lead Free



ITEM #	DESCRIPTION (INLET X OUTLET)	INNER CARTON QTY	MASTER CARTON QTY
HPMTLFCPVCAS	1/2" CPVC X 3/8" OD Angle	24	96
HPMTLFCPVCSS	1/2" CPVC X 3/8" OD Straight	24	96



ANGLE STOP		
NO.	Part	Material
1	Body	C46500 Brass
2	3/8" Comp. Ring	H62
3	9/16" Nut	C37700 Brass
4	Gasket	NBR
5	Stem	POM
6	Check Ring	304 Stainless Steel
7	Sealing Seat	NBR
8	Bonnet	C37700 Brass
9	Oval Handle	Zinc
10	Handle Screw	201 Stainless Steel
11	Rubber Gasket	EPDM
12	CPVC Port	CPVC
13	Brass Adaptor	C37700

STRAIGHT STOP		
NO.	Part	Material
1	Body	C46500 Brass
2	3/8" Comp. Ring	H62
3	9/16" Nut	C37700 Brass
4	Gasket	NBR
5	Stem	POM
6	Check Ring	304 Stainless Steel
7	Sealing Seat	NBR
8	Bonnet	C37700 Brass
9	Oval Handle	Zinc
10	Handle Screw	201 Stainless Steel
11	Rubber Gasket	EPDM
12	CPVC Port	CPVC
13	Brass Adaptor	C37700

\*Lead Free refers to the wetted surface of pipe, fittings and fixtures in potable water systems that have a weighted average lead content  $\leq 0.25\%$  per the Safe Drinking Water Act (Sec. 1417) amended 1-4-2011 and other equivalent state regulations.

**HYDRAPRO INC.**

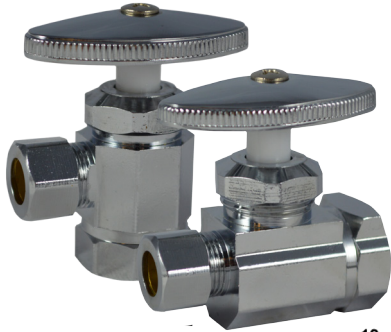
Phone: 877-813-2333; Fax 877-249-8435

Atlanta - Boston - Dallas - Pompano Beach - Houston - Philadelphia

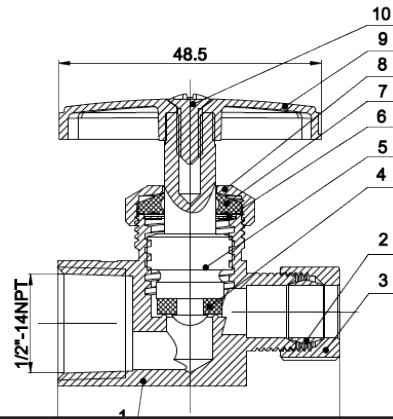
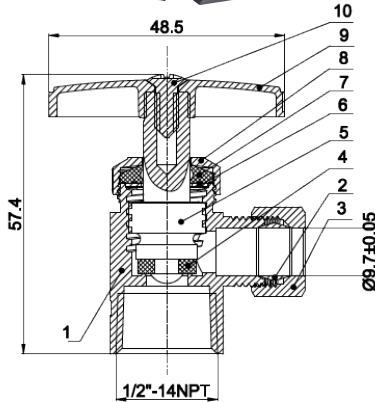
www.hydrapro.biz

## Multi Turn Supply Stop Valves

- IPS inlet x compression outlet
- Brass body
- EPDM Rubber seal
- Individually bagged and barcoded
- cUPC Approved and Lead Free



ITEM #	DESCRIPTION (INLET X OUTLET)	INNER CARTON QTY	MASTER CARTON QTY
HPMTLFIPSAS	1/2" IPS X 3/8" OD Angle	24	96
HPMTLFIPSSS	1/2" IPS X 3/8" OD Straight	24	96



ANGLE STOP		
NO.	Part	Material
1	Body	C46500 Brass
2	3/8" Comp. Ring	H62
3	9/16" Nut	C37700 Brass
4	Gasket	NBR
5	Stem	POM
6	Check Ring	304 Stainless Steel
7	Rubber Gasket	NBR
8	Bonnet	C37700 Brass
9	Oval Handle	Zinc
10	Handle Screw	201 Stainless Steel

STRAIGHT STOP		
NO.	Part	Material
1	Body	C46500 Brass
2	3/8" Comp. Ring	H62
3	9/16" Nut	C37700 Brass
4	Gasket	NBR
5	Stem	POM
6	Check Ring	304 Stainless Steel
7	Rubber Gasket	NBR
8	Bonnet	C37700 Brass
9	Oval Handle	Zinc
10	Handle Screw	201 Stainless Steel

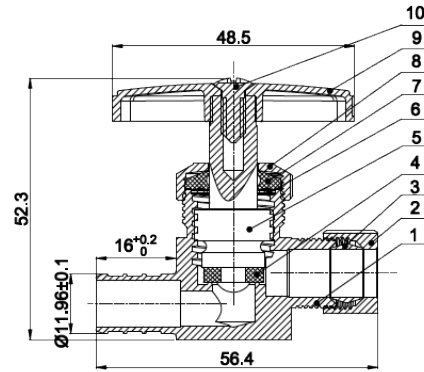
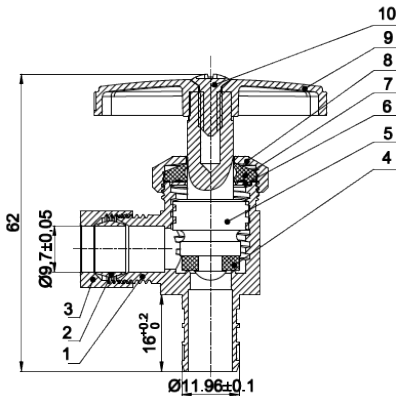
\*Lead Free refers to the wetted surface of pipe, fittings and fixtures in potable water systems that have a weighted average lead content ≤ 0.25% per the Safe Drinking Water Act (Sec. 1417) amended 1-4-2011 and other equivalent state regulations.

## Multi Turn Supply Stop Valves

- PEX inlet x compression outlet
- Brass body
- EPDM Rubber seal
- Individually bagged and barcoded
- cUPC Approved and Lead Free



ITEM #	DESCRIPTION (INLET X OUTLET)	INNER CARTON QTY	MASTER CARTON QTY
HPMTLFPexas	1/2" PEX X 3/8" OD Angle	24	96
HPMTLFPExSS	1/2" PEX X 3/8" OD Straight	24	96



ANGLE STOP		
NO.	Part	Material
1	Body	C46500 Brass
2	3/8" Comp. Ring	H62
3	9/16" Nut	C37700 Brass
4	Gasket	NBR
5	Stem	POM
6	Check Ring	304 Stainless Steel
7	Rubber Gasket	NBR
8	Bonnet	C37700 Brass
9	Oval Handle	Zinc
10	Handle Screw	201 Stainless Steel

STRAIGHT STOP		
NO.	Part	Material
1	Body	C46500 Brass
2	3/8" Comp. Ring	H62
3	9/16" Nut	C37700 Brass
4	Gasket	NBR
5	Stem	POM
6	Check Ring	304 Stainless Steel
7	Rubber Gasket	NBR
8	Bonnet	C37700 Brass
9	Oval Handle	Zinc
10	Handle Screw	201 Stainless Steel

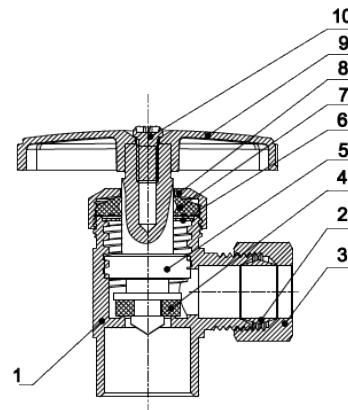
\*Lead Free refers to the wetted surface of pipe, fittings and fixtures in potable water systems that have a weighted average lead content ≤ 0.25% per the Safe Drinking Water Act (Sec. 1417) amended 1-4-2011 and other equivalent state regulations.

### Multi Turn Supply Stop Valves

- 1/2" Sweat inlet x compression outlet
- Brass body
- EPDM Rubber seal
- Individually bagged and barcoded
- cUPC Approved and Lead Free



ITEM #	DESCRIPTION (INLET X OUTLET)	INNER CARTON QTY	MASTER CARTON QTY
HPMTLFSWTAS	1/2" Sweat X 3/8" OD Angle	24	96



ANGLE STOP		
NO.	Part	Material
1	Body	C46500 Brass
2	3/8" Comp. Ring	H62
3	9/16" Nut	C37700 Brass
4	Gasket	NBR
5	Stem	POM
6	Check Ring	304 Stainless Steel
7	Rubber Gasket	NBR
8	Bonnet	C37700 Brass
9	Oval Handle	Zinc
10	Handle Screw	201 Stainless Steel

\*Lead Free refers to the wetted surface of pipe, fittings and fixtures in potable water systems that have a weighted average lead content  $\leq 0.25\%$  per the Safe Drinking Water Act (Sec. 1417) amended 1-4-2011 and other equivalent state regulations.

**HYDRAPRO INC.**

Phone: 877-813-2333; Fax 877-249-8435

Atlanta - Boston - Dallas - Pompano Beach - Houston - Philadelphia

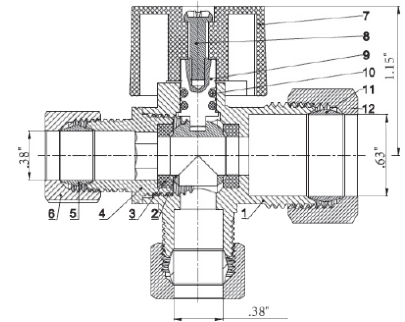
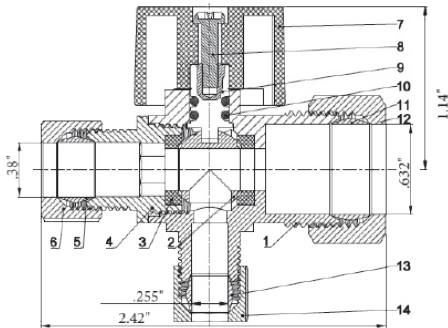
www.hydrapro.biz

## Supply Stop Valves



- Compression inlet x compression outlet x compression outlet
- Chrome plated brass
- Internal brass ball
- Teflon seats
- Individually bagged and barcoded
- Lead Free

ITEM #	DESCRIPTION (INLET X OUTLET X OUTLET)	INNER CARTON QTY	MASTER CARTON QTY
HPQTLF583814AS	5/8" COMP X 3/8" COMP X 1/4" COMP	24	96
HPQTLF583838AS	5/8" COMP X 3/8" COMP X 3/8" COMP	24	96



### ANGLE STOP (HPQTLF583814AS)

NO.	Part	Material
1	Body	C46500 Brass
2	Ball	C46500 Brass
3	Seal Seat	PTFE
4	Bonnet	C46500 Brass
5	3/8" Comp. Ring	Brass
6	9/16" Nut	C37700 Brass
7	Handle	ABS
8	Handle Screw	201 Stainless Steel
9	Stem	C46500 Brass
10	O-Ring	EPDM
11	5/8" Comp. Ring	Brass
12	13/16" Nut	C37700 Brass
13	Comp. Ring	Brass
14	Nut	C37700 Brass

### ANGLE STOP (HPQTLF583838AS)

NO.	Part	Material
1	Body	C46500 Brass
2	Ball	C46500 Brass
3	Seal Seat	PTFE
4	Bonnet	C46500 Brass
5	3/8" Comp. Ring	Brass
6	9/16" Nut	C37700 Brass
7	Handle	ABS
8	Handle Screw	201 Stainless Steel
9	Stem	C46500 Brass
10	O-Ring	EPDM
11	5/8" Comp. Ring	Brass
12	13/16" Nut	C37700 Brass

\*Lead Free refers to the wetted surface of pipe, fittings and fixtures in potable water systems that have a weighted average lead content  $\leq 0.25\%$  per the Safe Drinking Water Act (Sec. 1417) amended 1-4-2011 and other equivalent state regulations.

**HYDRAPRO INC.**

Phone: 877-813-2333; Fax 877-249-8435

Atlanta - Boston - Dallas - Pompano Beach - Houston - Philadelphia

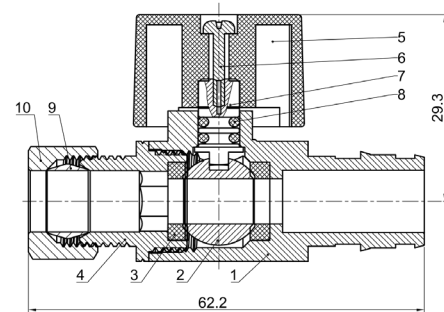
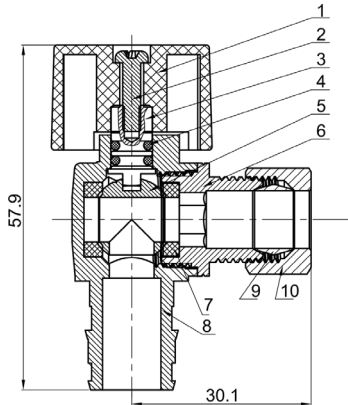
www.hydrapro.biz

## F1960 Supply Stop Valves

- F1960 PEX inlet x compression outlet
- Chrome plated brass
- Internal brass ball
- Teflon seats
- Individually bagged and barcoded
- Lead Free



ITEM #	DESCRIPTION (INLET X OUTLET)	INNER CARTON QTY	MASTER CARTON QTY
HPQTLF1960AS	F1960 PEX X 3/8" OD Angle	24	96
HPQTLF1960SS	F1960 PEX X 3/8" OD Straight	24	96



### ANGLE STOP

NO.	Part	Material
1	Handle	ABS
2	Handle Screw	201 Stainless Steel
3	Stem	C46500 Brass
4	O-Ring	EPDM
5	Ball	C46500 Brass
6	Bonnet	C46500 Brass
7	Seat	PTFE
8	Body	C46500 Brass
9	3/8" Comp. Ring	Bras
10	9/16" Nut	C37700 Brass

### STRAIGHT STOP

NO.	Part	Material
1	Body	C46500 Brass
2	Ball	C46500 Brass
3	Seal Seat	PTFE
4	Bonnet	C46500 Brass
5	Handle	ABS
6	Screw	201 Stainless Steel
7	Stem	C4650 Brass
8	Handle Screw	201 Stainless Steel
9	3/8" Comp. Ring	Brass
10	9/16" Nut	C37700 Brass

\*Lead Free refers to the wetted surface of pipe, fittings and fixtures in potable water systems that have a weighted average lead content  $\leq 0.25\%$  per the Safe Drinking Water Act (Sec. 1417) amended 1-4-2011 and other equivalent state regulations.

**HYDRAPRO INC.**

Phone: 877-813-2333; Fax 877-249-8435

Atlanta - Boston - Dallas - Pompano Beach - Houston - Philadelphia

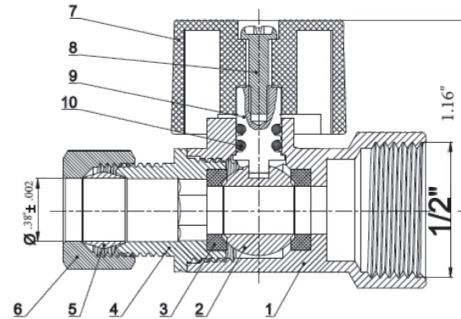
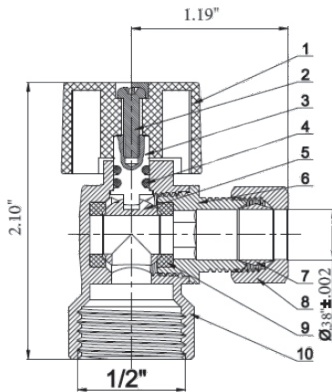
www.hydrapro.biz

## Supply Stop Valves

- Compression inlet x compression outlet
- Chrome plated brass
- Internal brass ball
- Teflon seats
- Individually bagged and barcoded
- Lead Free



ITEM #	DESCRIPTION (INLET X OUTLET)	INNER CARTON QTY	MASTER CARTON QTY
HPQTLFCOMPAS	5/8" OD X 3/8" OD Angle	24	96
HPQTLFCOMPSS	5/8" OD X 3/8" OD Straight	24	96



### ANGLE STOP

NO.	Part	Material
1	Handle	ABS
2	Handle Screw	201 Stainless Steel
3	Stem	C46500 Brass
4	O-Ring	EPDM
5	Ball	C46500 Brass
6	Bonnet	C46500 Brass
7	3/8" Comp. Ring	Brass
8	9/16" Nut	C37700 Brass
9	Seal Seat	PTFE
10	Body	C46500 Brass
11	5/8" Comp. Ring	Brass
12	13/16" Nut	C37700 Brass

### STRAIGHT STOP

NO.	Part	Material
1	Body	C46500 Brass
2	Ball	C46500 Brass
3	Seal Seat	PTFE
4	Bonnet	C46500 Brass
5	3/8" Comp. Ring	Brass
6	9/16" Nut	C37700 Brass
7	Handle	ABS
8	Handle Screw	201 Stainless Steel
9	Stem	C46500 Brass
10	O-Ring	EPDM
11	5/8" Comp. Ring	Brass
12	13/16" Nut	C37700 Brass

\*Lead Free refers to the wetted surface of pipe, fittings and fixtures in potable water systems that have a weighted average lead content  $\leq 0.25\%$  per the Safe Drinking Water Act (Sec. 1417) amended 1-4-2011 and other equivalent state regulations.

**HYDRAPRO INC.**

Phone: 877-813-2333; Fax 877-249-8435

Atlanta - Boston - Dallas - Pompano Beach - Houston - Philadelphia

www.hydrapro.biz

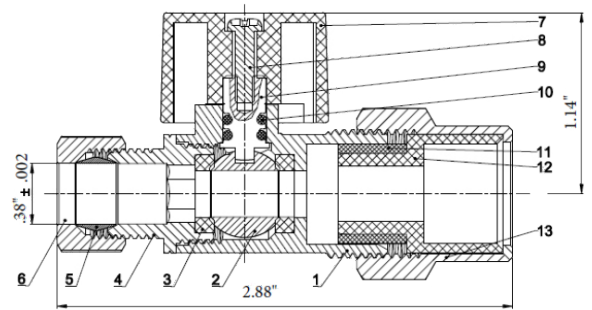
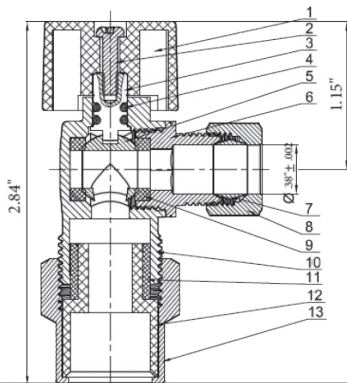


## Supply Stop Valves



- CPVC inlet x compression outlet
- Chrome plated brass
- Internal brass ball
- Teflon seats
- Individually bagged and barcoded
- Lead Free

ITEM #	DESCRIPTION (INLET X OUTLET)	INNER CARTON QTY	MASTER CARTON QTY
HPQTLFCPVCAS	1/2" CPVC X 3/8" OD Angle	24	96
HPQTLFCPVCSS	1/2" CPVC X 3/8" OD Straight	24	96



ANGLE STOP		
NO.	Part	Material
1	Handle	ABS
2	Handle Screw	201 Stainless Steel
3	Stem	C46500 Brass
4	O-Ring	EPDM
5	Ball	C46500 Brass
6	Bonnet	C46500 Brass
7	3/8" Comp. Ring	Brass
8	9/16" Nut	C37700 Brass
9	Seal Seat	PTFE
10	Body	C46500 Brass
11	Rubber Seal Ring	NBR
12	Pipe	CPVC
13	Adaptor	C37700 Brass

STRAIGHT STOP		
NO.	Part	Material
1	Body	C46500 Brass
2	Ball	C46500 Brass
3	Seal Seat	PTFE
4	Bonnet	C46500 Brass
5	3/8" Comp. Ring	Brass
6	9/16" Nut	C37700 Brass
7	Handle	ABS
8	Handle Screw	201 Stainless Steel
9	Stem	C46500 Brass
10	O-Ring	EPDM
11	Rubber Seal Ring	NBR
12	Pipe	CPVC
13	Adaptor	C37700 Brass

\*Lead Free refers to the wetted surface of pipe, fittings and fixtures in potable water systems that have a weighted average lead content ≤ 0.25% per the Safe Drinking Water Act (Sec. 1417) amended 1-4-2011 and other equivalent state regulations.

**HYDRAPRO INC.**

Phone: 877-813-2333; Fax 877-249-8435

Atlanta - Boston - Dallas - Pompano Beach - Houston - Philadelphia

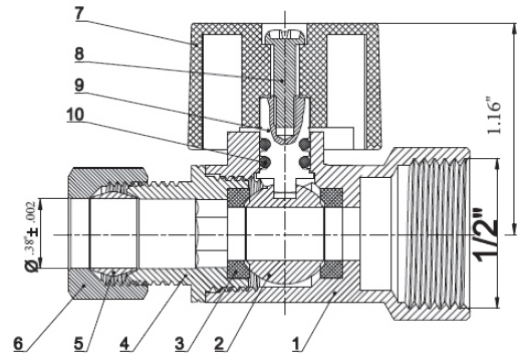
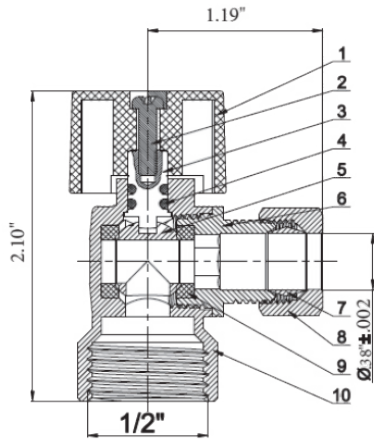
www.hydrapro.biz

## Supply Stop Valves



- IPS inlet x compression outlet
- Chrome plated brass
- Internal brass ball
- Teflon seats
- Individually bagged and barcoded
- Lead Free

ITEM #	DESCRIPTION (INLET X OUTLET)	INNER CARTON QTY	MASTER CARTON QTY
HPQTLFIPSAS	1/2" FIP X 3/8" OD Angle	24	96
HPQTLFIPSSS	1/2" FIP X 3/8" OD Straight	24	96



### ANGLE STOP

NO.	Part	Material
1	Handle	ABS
2	Handle Screw	201 Stainless Steel
3	Stem	C46500 Brass
4	O-Ring	EPDM
5	Ball	C46500 Brass
6	Bonnet	C46500 Brass
7	3/8" Comp. Ring	Brass
8	9/16" Nut	C37700 Brass
9	Seal Seat	PTFE
10	Body	C46500 Brass

### STRAIGHT STOP

NO.	Part	Material
1	Body	C46500 Brass
2	Ball	C46500 Brass
3	Seal Seat	PTFE
4	Bonnet	C46500 Brass
5	3/8" Comp. Ring	Brass
6	9/16" Nut	C37700 Brass
7	Handle	ABS
8	Handle Screw	201 Stainless Steel
9	Stem	C46500 Brass
10	O-Ring	EPDM

\*Lead Free refers to the wetted surface of pipe, fittings and fixtures in potable water systems that have a weighted average lead content  $\leq 0.25\%$  per the Safe Drinking Water Act (Sec. 1417) amended 1-4-2011 and other equivalent state regulations.

**HYDRAPRO INC.**

Phone: 877-813-2333; Fax 877-249-8435

Atlanta - Boston - Dallas - Pompano Beach - Houston - Philadelphia

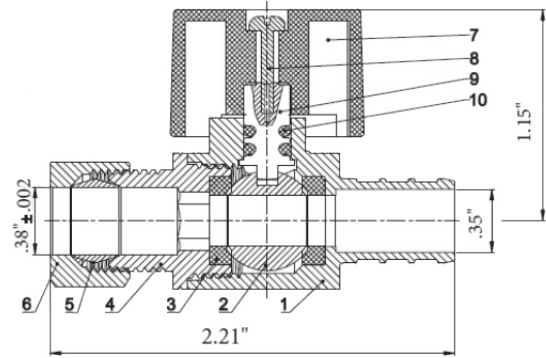
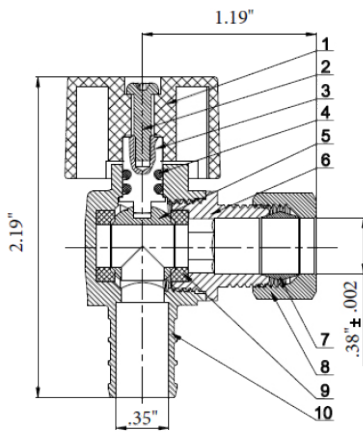
www.hydrapro.biz

## Supply Stop Valves

- PEX inlet x compression outlet
- Chrome plated brass
- Internal brass ball
- Teflon seats
- Individually bagged and barcoded
- Lead Free



ITEM #	DESCRIPTION (INLET X OUTLET)	INNER CARTON QTY	MASTER CARTON QTY
HPQTLFPEXAS	1/2" PEX X 3/8" OD Angle	24	96
HPQTLFPEXSS	1/2" PEX X 3/8" OD Straight	24	96



ANGLE STOP		
NO.	Part	Material
1	Handle	ABS
2	Handle Screw	201 Stainless Steel
3	Stem	C46500 Brass
4	O-Ring	EPDM
5	Ball	C46500 Brass
6	Bonnet	C46500 Brass
7	3/8" Comp. Ring	Brass
8	9/16" Nut	C37700 Brass
9	Seal Seat	PTFE
10	Body	C46500 Brass

STRAIGHT STOP		
NO.	Part	Material
1	Body	C46500 Brass
2	Ball	C46500 Brass
3	Seal Seat	PTFE
4	Bonnet	C46500 Brass
5	3/8" Comp. Ring	Brass
6	9/16" Nut	C37700 Brass
7	Handle	ABS
8	Handle Screw	201 Stainless Steel
9	Stem	C46500 Brass
10	O-Ring	EPDM

\*Lead Free refers to the wetted surface of pipe, fittings and fixtures in potable water systems that have a weighted average lead content ≤ 0.25% per the Safe Drinking Water Act (Sec. 1417) amended 1-4-2011 and other equivalent state regulations.

**HYDRAPRO INC.**

Phone: 877-813-2333; Fax 877-249-8435

Atlanta - Boston - Dallas - Pompano Beach - Houston - Philadelphia

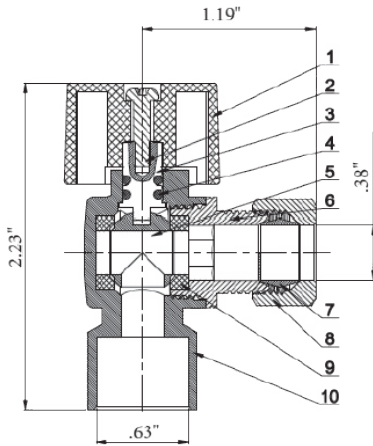
www.hydrapro.biz

## Supply Stop Valves

- Sweat inlet x compression outlet
- Chrome plated brass
- Internal brass ball
- Teflon seats
- Individually bagged and barcoded
- Lead Free



ITEM #	DESCRIPTION (INLET X OUTLET)	INNER CARTON QTY	MASTER CARTON QTY
HPQTLFSWEATAS	1/2" SWEAT X 3/8" OD Angle	24	96



ANGLE STOP		
NO.	Part	Material
1	Handle	ABS
2	Handle Screw	201 Stainless Steel
3	Stem	C46500 Brass
4	O-Ring	EPDM
5	Ball	C46500 Brass
6	Bonnet	C46500 Brass
7	3/8" Comp. Ring	Brass
8	9/16" Nut	C37700 Brass
9	Seal Seat	PTFE
10	Body	C46500 Brass

\*Lead Free refers to the wetted surface of pipe, fittings and fixtures in potable water systems that have a weighted average lead content  $\leq 0.25\%$  per the Safe Drinking Water Act (Sec. 1417) amended 1-4-2011 and other equivalent state regulations.

**HYDRAPRO INC.**

Phone: 877-813-2333; Fax 877-249-8435

Atlanta - Boston - Dallas - Pompano Beach - Houston - Philadelphia

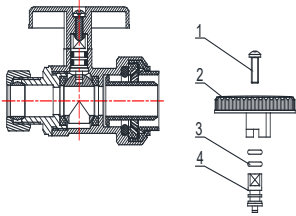
[www.hydrapro.biz](http://www.hydrapro.biz)

## Supply Stop Valves

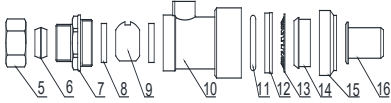


- Compression inlet x compression outlet x compression outlet
- Chrome plated brass
- Internal brass ball
- Teflon seats
- Individually bagged and barcoded
- Lead Free

ITEM #	DESCRIPTION (INLET X OUTLET X OUTLET)	INNER CARTON QTY	MASTER CARTON QTY
HPQTLFPFAS1238	1/2" PUSH FIT X 3/8" OD	24	96
HPQTLFPFSS1238	1/2" PUSH FIT X 3/8" OD	24	96

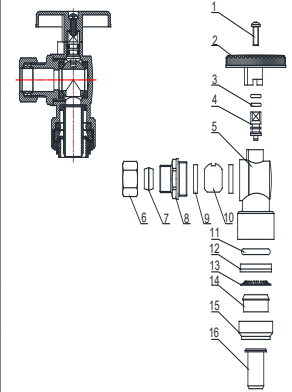


\*Lead Free refers to the wetted surface of pipe, fittings and fixtures in potable water systems that have a weighted average lead content  $\leq 0.25\%$  per the Safe Drinking Water Act (Sec. 1417) amended 1-4-2011 and other equivalent state regulations.



STRAIGHT STOP (HPQTLFPFSS1238)		
NO.	Part	Material
1	Bolt	S201
2	Handle	ZL104 Aluminum
3	"O" Ring	EPDM Rubber
4	Stem	C46500 Brass
5	Union Nut	C37700 Brass
6	Crimp	H65 Copper
7	Bonnet	C46500 Brass
8	Seats	PTFE
9	Ball	C46500 Brass
10	Body	C46500 Brass
11	"O" Ring	EPDM Rubber
12	Lock Ring	POM Plastic
13	Gripper Ring	SUS304 Steel
14	Push Ring	POM Plastic
15	Seat Ring	POM Plastic
16	Stiffener	PSU Plastic

ANGLE STOP (HPQTLFPFAS1238)		
NO.	Part	Material
1	Bolt	S201
2	Handle	ZL104 Aluminum
3	"O" Ring	EPDM Rubber
4	Stem	C46500 Brass.
5	Body	C46500 Brass
6	Union Nut	C37700 Brass
7	Crimp	H65 Copper
8	Bonnet	C46500 Brass
9	Seats	PTFE
10	Ball	C46500 Brass
11	"O" Ring	EPDM Rubber
12	Lock Ring	POM Plastic
13	Gripper Ring	SUS304 Steel
14	Push Ring	POM Plastic
15	Seat Ring	POM Plastic
16	Stiffener	PSU Plastic



HYDRAPRO INC.

Phone: 877-813-2333; Fax 877-249-8435

Atlanta - Boston - Dallas - Deerfield Beach - Houston - Philadelphia

www.hydrapro.biz