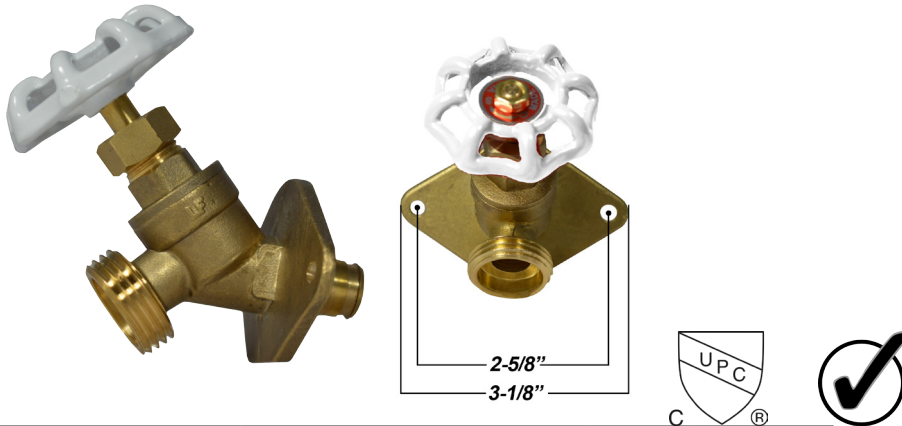
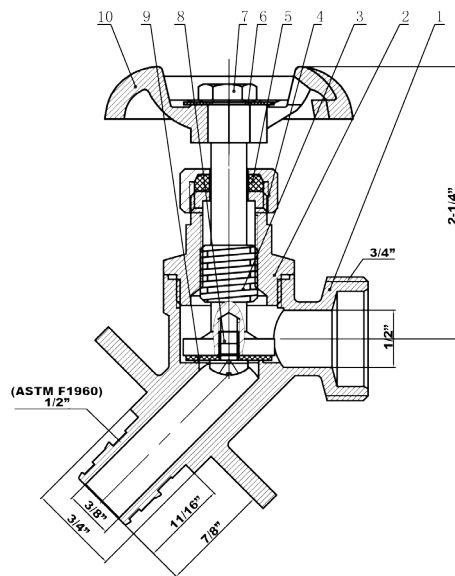


Large Flange Sillcocks

- Rough brass construction
- Made from lead free brass
- Oversized mounting flange for easier installation



ITEM #	DESCRIPTION INLET X OUTLET	INNER CASE QTY	MASTER CASE QTY
HPVSCWPB12LF	1/2" F1960 PEX x 3/4" FHT	12	24



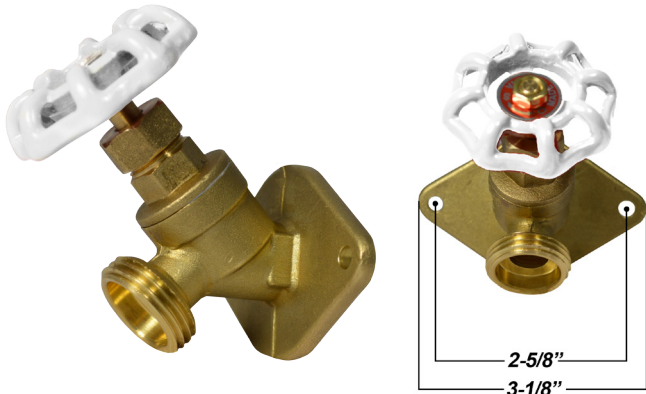
NO.	Part Name	Material
1	Body	Lead Free Brass
2	Nut	Steel
3	Stem	Lead Free Brass
4	Nut	Brass
5	Packing	PTFE
6	Name Plate	Aluminum Alloy
7	Handle Nut	Plated Steel
8	Handle	Cast Iron
9	Packing	EPDM
10	Screw	Stainless Steel

*Lead Free refers to the wetted surface of pipe, fittings and fixtures in potable water systems that have a weighted average lead content $\leq 0.25\%$ per the Safe Drinking Water Act (Sec. 1417) ammended 1-4-2011 and other equivalent state regulations.

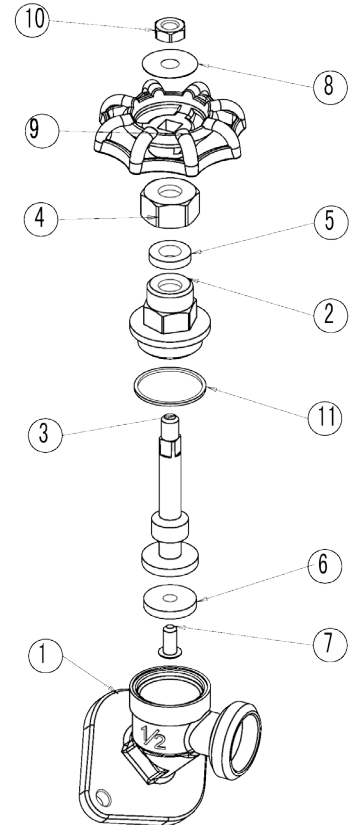
HYDRAPRO INC.
 Phone: 877-813-2333; Fax 877-249-8435
 Atlanta - Boston - Dallas - Pompano Beach - Houston - Philadelphia
www.hydrapro.biz

Large Flange Sillcocks

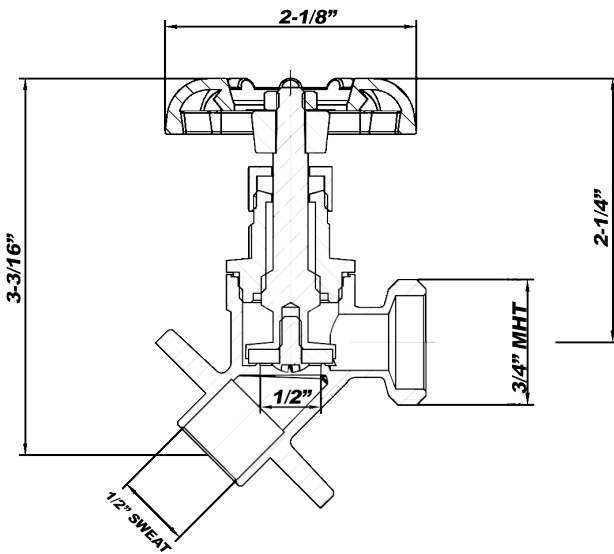
- Rough brass construction
- Made from lead free brass
- Oversized mounting flange for easier installation



2-5/8"
3-1/8"



ITEM #	DESCRIPTION INLET X OUTLET	INNER CASE QTY	MASTER CASE QTY
HPVSCSB12	1/2" SWEAT x 3/4" FHT	12	24

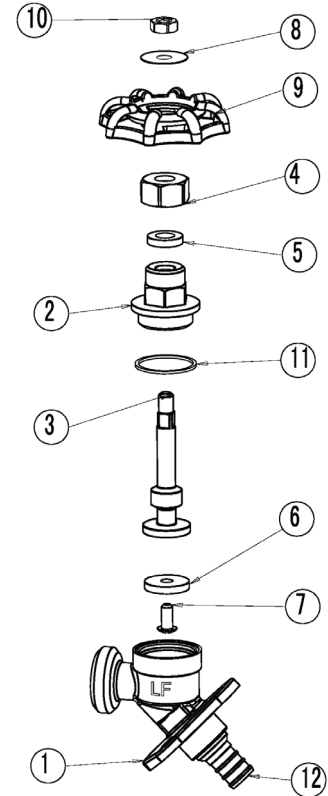
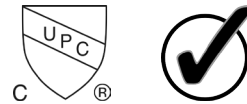
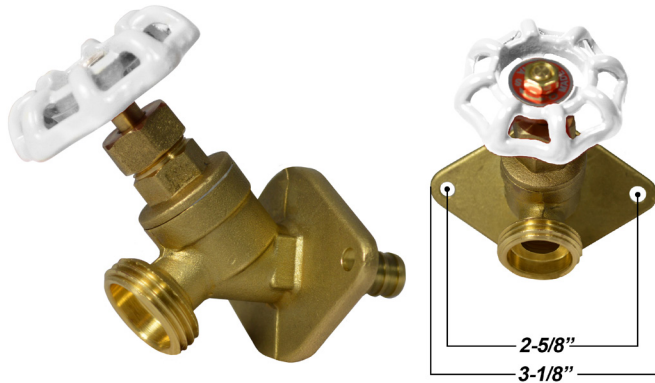


NO.	Part Name	Material
1	Body	Lead Free Brass
2	Bonnet	Lead Free Brass
3	Stem	Lead Free Brass
4	Nut	Zinc
5	Gasket	PTFE
6	Gasket	EPDM
7	Screw	Brass
8	Nameplate	Aluminum
9	Handle	Cast Iron
10	Nut	Steel
11	Gasket	PTFE

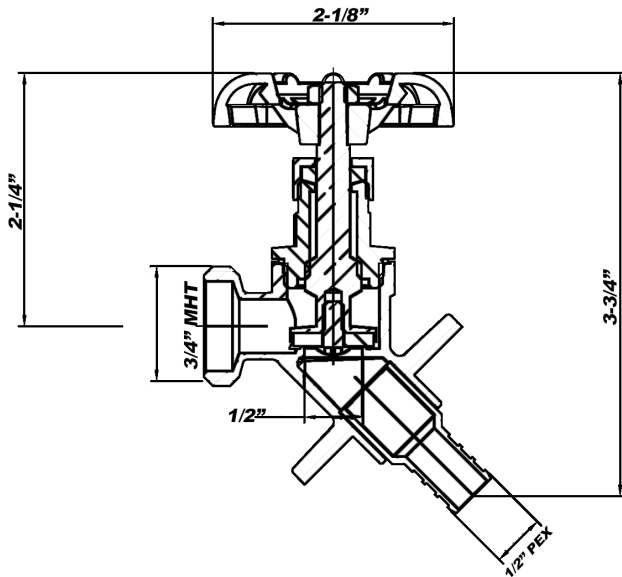
*Lead Free refers to the wetted surface of pipe, fittings and fixtures in potable water systems that have a weighted average lead content $\leq 0.25\%$ per the Safe Drinking Water Act (Sec. 1417) ammended 1-4-2011 and other equivalent state regulations.

Large Flange Sillcocks

- Rough brass construction
- Made from lead free brass
- Oversized mounting flange for easier installation



ITEM #	DESCRIPTION INLET X OUTLET	INNER CASE QTY	MASTER CASE QTY
HPVSCP12	1/2" PEX x 3/4" FHT	12	24



NO.	Part Name	Material
1	Body	Lead Free Brass
2	Bonnet	Lead Free Brass
3	Stem	Lead Free Brass
4	Nut	Zinc
5	Gasket	PTFE
6	Gasket	EPDM
7	Screw	Brass
8	Nameplate	Aluminum
9	Handle	Cast Iron
10	Nut	Steel
11	Gasket	PTFE
12	PEX Connector	Lead Free Brass

*Lead Free refers to the wetted surface of pipe, fittings and fixtures in potable water systems that have a weighted average lead content $\leq 0.25\%$ per the Safe Drinking Water Act (Sec. 1417) amended 1-4-2011 and other equivalent state regulations.

HYDRAPRO INC.

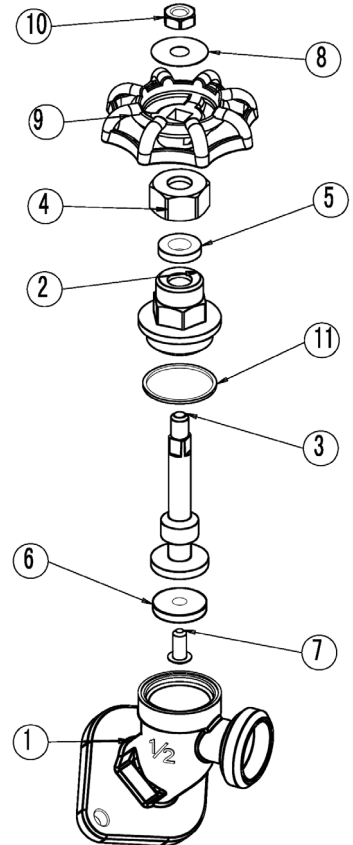
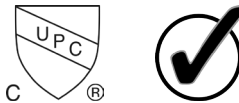
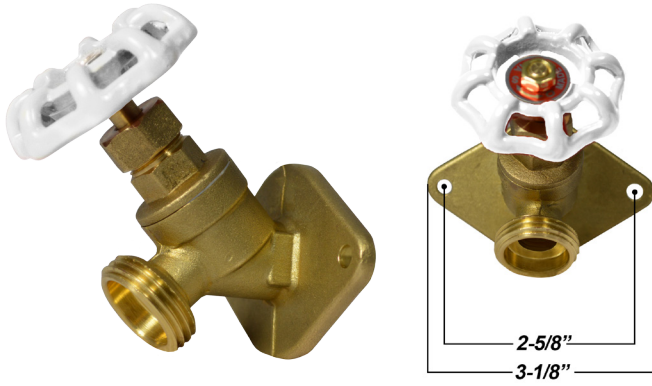
Phone: 877-813-2333; Fax 877-249-8435

Atlanta - Boston - Dallas - Pompano Beach - Houston - Philadelphia

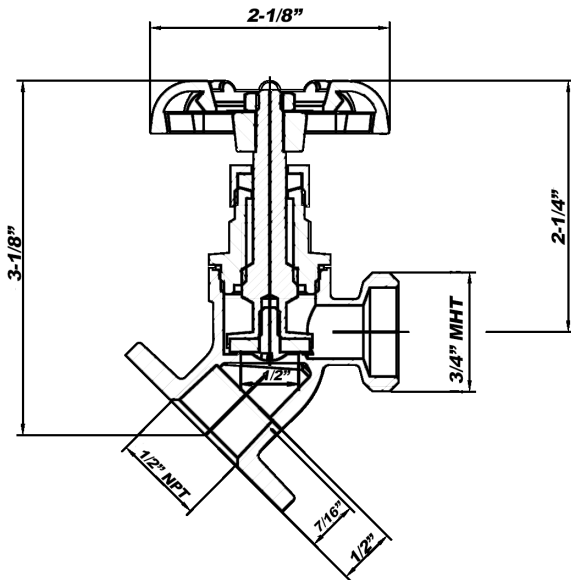
www.hydrapro.biz

Large Flange Sillcocks

- Rough brass construction
- Made from lead free brass
- Oversized mounting flange for easier installation



ITEM #	DESCRIPTION INLET X OUTLET	INNER CASE QTY	MASTER CASE QTY
HPVSCFB12	1/2" FIP x 3/4" FHT	12	24



NO.	Part Name	Material
1	Body	Lead Free Brass
2	Bonnet	Lead Free Brass
3	Stem	Lead Free Brass
4	Nut	Zinc
5	Gasket	PTFE
6	Gasket	EPDM
7	Screw	Brass
8	Nameplate	Aluminum
9	Handle	Cast Iron
10	Nut	Steel
11	Gasket	PTFE

*Lead Free refers to the wetted surface of pipe, fittings and fixtures in potable water systems that have a weighted average lead content ≤ 0.25% per the Safe Drinking Water Act (Sec. 1417) amended 1-4-2011 and other equivalent state regulations.

HYDRAPRO INC.

Phone: 877-813-2333; Fax 877-249-8435

Atlanta - Boston - Dallas - Pompano Beach - Houston - Philadelphia

www.hydrapro.biz