

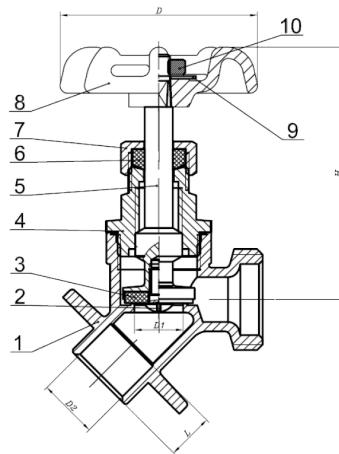
Brass Silcocks

- Brass Body
- Sweat connection
- 3/4" MHT Outlet
- Valves are **NOT LEAD FREE**



ITEM #	DESCRIPTION	D	D1	D2	L	H
HPVSCS12	1/2"	Ø2.087	Ø.512	Ø.630	0.512	2.303

NO.	PART	MATERIAL
1	Body	Brass
2	Screw	Brass
3	Gasket	NBR
4	Cap	Brass
5	Stem	Brass
6	Stuffing	NBR
7	Gland Nut	Brass
8	Hand Wheel	Cast Iron
9	Name Plate	Aluminum
10	Nut	Steel



Brass Silcocks

- Brass Body
- FIP connection
- 3/4" MHT Outlet
- Valves are **NOT LEAD FREE**



ITEM #	DESCRIPTION	D	D1	L	H
HPVSCF12	1/2"	Ø2.087	Ø0.512	0.512	2.303

NO.	PART	MATERIAL
1	Body	Brass
2	Screw	Brass
3	Gasket	NBR
4	Cap	Brass
5	Stem	Brass
6	Stuffing	NBR
7	Gland Nut	Brass
8	Hand Wheel	Cast Iron
9	Name Plate	Aluminum
10	Nut	Steel

