

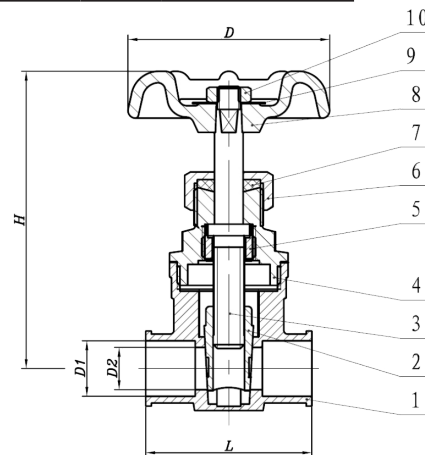
Gate Valves

- Brass Body
- Sweat connection
- Non rising stem
- 200 PSI
- Lead Free



ITEM #	DESCRIPTION	D	H	L	D1	D2
HPVSG12LF	1/2"	Ø2.086	2.638	1.705	Ø0.629	Ø.512
HPVSG34LF	3/4"	Ø2.086	2.913	2.205	Ø0.878	Ø.669
HPVSG1LF	1"	Ø2.322	3.189	2.598	Ø1.129	Ø.768
HPVSG114LF	1-1/4"	Ø3.071	3.661	2.913	Ø1.378	Ø1.102
HPVSG112LF	1-1/2"	Ø3.071	4.291	3.149	Ø1.629	Ø1.339
HPVSG2LF	2"	Ø3.071	5.236	3.661	Ø2.129	Ø1.713

NO.	PART	MATERIAL
1	Body	Lead Free Brass
2	Disc	Lead Free Brass
3	Stem	Lead Free Brass
4	Bonnet	Lead Free Brass
5	Lock Nut	Lead Free Brass
6	Nut	Brass
7	Gland Packing	PTFE
8	Hand Wheel	Cast Iron
9	Name Plate	Aluminum
10	Nut	Q235 Steel



*Lead Free refers to the wetted surface of pipe, fittings and fixtures in potable water systems that have a weighted average lead content $\leq 0.25\%$ per the Safe Drinking Water Act (Sec. 1417) amended 1-4-2011 and other equivalent state regulations.

HYDRAPRO INC.

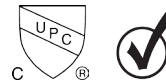
Phone: 877-813-2333; Fax 877-249-8435

Atlanta - Boston - Dallas - Pompano Beach - Houston - Philadelphia

www.hydrapro.biz

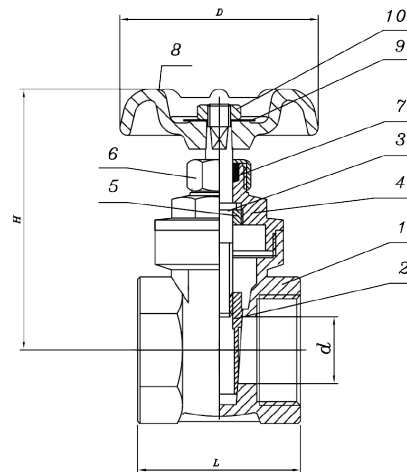
Gate Valves

- Brass Body
- IPS connection
- Non rising stem
- 200 PSI
- Lead Free



ITEM #	DESCRIPTION	D	H	L	d
HPVTG12LF	1/2"	Ø2.086	2.638	1.634	Ø.512
HPVTG34LF	3/4"	Ø2.086	2.913	1.831	Ø.669
HPVTG1LF	1"	Ø2.322	3.189	1.976	Ø.768
HPVTG114LF	1-1/4"	Ø3.071	3.661	2.295	Ø1.102
HPVTG112LF	1-1/2"	Ø3.071	4.291	2.362	Ø1.338
HPVTG2LF	2"	Ø3.071	5.236	2.480	Ø1.713

NO.	PART	MATERIAL
1	Body	Lead Free Brass
2	Disc	Lead Free Brass
3	Stem	Lead Free Brass
4	Bonnet	Lead Free Brass
5	Lock Nut	Lead Free Brass
6	Nut	Brass
7	Gland Packing	PTFE
8	Hand Wheel	Cast Iron
9	Name Plate	Aluminum
10	Nut	Q235 Steel



*Lead Free refers to the wetted surface of pipe, fittings and fixtures in potable water systems that have a weighted average lead content $\leq 0.25\%$ per the Safe Drinking Water Act (Sec. 1417) amended 1-4-2011 and other equivalent state regulations.

HYDRAPRO INC.

Phone: 877-813-2333; Fax 877-249-8435

Atlanta - Boston - Dallas - Pompano Beach - Houston - Philadelphia

www.hydrapro.biz