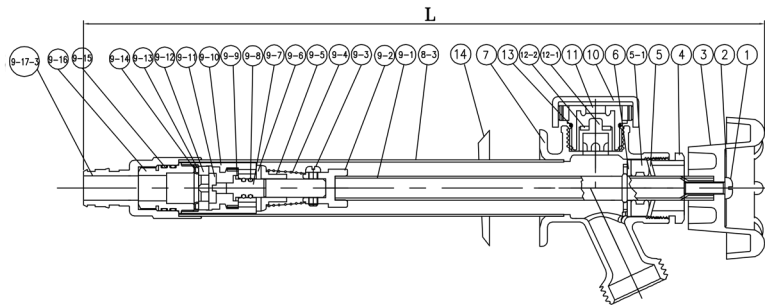


F1960 PEX Frost Free Sillcocks

- Multi-Turn
- Lead Free
- Anti-Siphon
- With Vacuum Breaker
- 3/4" MHT Outlet



| | | | | |
|--------|-----------------------|---|-----------------------|--------|
| 14 | SIDING WEDGE | 1 | LDPE | |
| 13 | VB O-RING | 1 | BUNA-N | ØZ7-14 |
| 12-2 | VB PACKING | 1 | NBR | ØZ7-19 |
| 12-1 | VB DISC | 1 | CELCON | ØZ7-18 |
| 11 | VB BODY | 1 | CELCON | ØZ7-20 |
| 10 | VB COVER | 1 | ABS | ØZ7-21 |
| 9-17-3 | WIRTSBO SEAT | 1 | B124-C46400 | |
| 9-16 | CARTRIDGE END PLUG | 1 | B124-C46400 | |
| 9-15 | CARTRIDGE O-RING | 2 | BUNA-N | HS55" |
| 9-14 | CARTRIDGE WASHER | 1 | 304STAINLESS | |
| 9-13 | CARTRIDGE PACKING | 1 | NBR | |
| 9-12 | CERAMIC | 1 | CERAMIC | |
| 9-11 | CERAMIC (ROTATABLE) | 1 | CERAMIC | |
| 9-10 | CARTRIDGE BODY | 1 | B124-C46400 | |
| 9-9 | CARTRIDGE GASKET | 1 | PVC | |
| 9-8 | CARTRIDGE STEM O-RING | 2 | BUNA-N | HS70" |
| 9-7 | CARTRIDGE STEM | 1 | B124-C46400 | |
| 9-6 | ANTI BACKFLOW PACKING | 1 | NBR | HS80" |
| 9-5 | PISTON BUSH | 1 | CELCON | |
| 9-4 | SPRING | 1 | 304STAINLESS | |
| 9-3 | CONNECTING SCREW | 1 | B135-C27000 BUB504 | |
| 9-2 | STEM CONNECTOR | 1 | B124-C46400 | |
| 9-1 | STEM | 1 | B135-C27000 | |
| 8-3 | TUBE | 1 | B135-C27000 | |
| 7 | BODY | 1 | B124-C46400 | |
| 6 | STOP WASHER | 1 | 304STAINLESS | |
| 5-1 | STEM PACKING | 1 | SAME AS NBR | HS55" |
| 5 | WASHER | 1 | 304STAINLESS | |
| 4 | STEM GLAND SCREW | 1 | B140-C3600 | |
| 3 | HAND WHEEL | 1 | B86/ABS | ØZ7-03 |
| 2 | NAME PLATE | 1 | B209-1100 | ØZ7-02 |
| 1 | HANDLE SCREW | 1 | B135-C27000 BUB504 | ØZ7-01 |

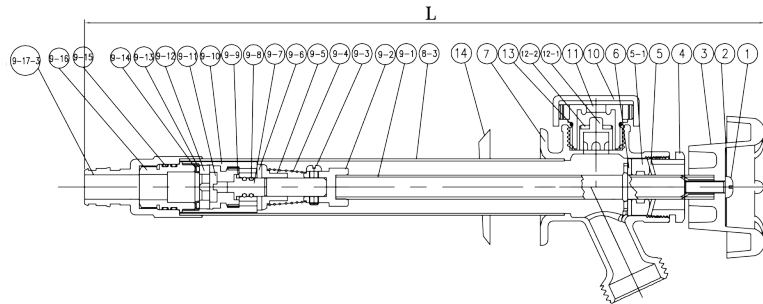
| | |
|------|--------|
| 12" | H20027 |
| 10" | H20026 |
| 8" | H20025 |
| 6" | H20024 |
| 4" | H20023 |
| SIZE | L |

| PART# | MODEL # | DESCRIPTION |
|------------------------|--------------------|-------------|
| F1960 PEX INLET | | |
| H20023 | HPLFFP124F1960PEX | 4" Length |
| H20024 | HPLFFP126F1960PEX | 6" Length |
| H20025 | HPLFFP128F1960PEX | 8" Length |
| H20026 | HPLFFP1210F1960PEX | 10" Length |
| H20027 | HPLFFP1212F1960PEX | 12" Length |

HYDRAPRO INC.
 Phone: 877-813-2333; Fax 877-249-8435
 Atlanta - Boston - Dallas - Pompano Beach - Houston - Philadelphia
www.hydrapro.biz

F1807 PEX Frost Free Sillcocks

- Multi-Turn
- Lead Free
- Anti-Siphon
- With Vacuum Breaker
- 3/4" MHT Outlet



| | | | | | | |
|--------|-----------------------|----|-----------------------|--------|----------|---------|
| 14 | SIDING WEDGE | 1 | LDPE | | | |
| 13 | VB O-RING | 1 | BUNA-N | RZ7-14 | | |
| 12-2 | VB PACKING | 1 | NBR | RZ7-19 | | |
| 12-1 | VB DISC | 1 | CELCON | RZ7-18 | | |
| 11 | VB BODY | 1 | CELCON | RZ7-20 | | |
| 10 | VB COVER | 1 | ABS | RZ7-21 | | |
| 9-17-3 | WIRTSBO SEAT | 1 | B124-C46400 | | | |
| 9-16 | CARTRIDGE END PLUG | 1 | B124-C46400 | | | |
| 9-15 | CARTRIDGE O-RING | 2 | BUNA-N | HS55* | | |
| 9-14 | CARTRIDGE WASHER | 1 | 304STAINLESS | | | |
| 9-13 | CARTRIDGE PACKING | 1 | NBR | | | |
| 9-12 | CERAMIC | 1 | CERAMIC | | | |
| 9-11 | CERAMIC (ROTATABLE) | 1 | CERAMIC | | | |
| 9-10 | CARTRIDGE BODY | 1 | B124-C46400 | | | |
| 9-9 | CARTRIDGE GASKET | 1 | PVC | | | |
| 9-8 | CARTRIDGE STEM O-RING | 2 | BUNA-N | HS70* | | |
| 9-7 | CARTRIDGE STEM | 1 | B124-C46400 | | | |
| 9-6 | ANTI BACKFLOW PACKING | 1 | NBR | HS80* | | |
| 9-5 | PISTON BUSH | 1 | CELCON | | | |
| 9-4 | SPRING | 1 | 304STAINLESS | | | |
| 9-3 | CONNECTING SCREW | 1 | B135-C27000 BUB304 | | | |
| 9-2 | STEM CONNECTOR | 1 | B124-C46400 | | | |
| 9-1 | STEM | 1 | B135-C27000 | | | |
| 8-3 | TUBE | 1 | B135-C27000 | | | |
| 7 | BODY | 1 | B124-C46400 | | | |
| 6 | STOP WASHER | 1 | 304STAINLESS | | | |
| 5-1 | STEM PACKING | 1 | SAME AS NBR | HS55* | | |
| 5 | WASHER | 1 | 304STAINLESS | | | |
| 4 | STEM GLAND SCREW | 1 | B140-C3800 | | | |
| 3 | HAND WHEEL | 1 | B86/ABS | RZ7-03 | | |
| 2 | NAME PLATE | 1 | B209-1100 | RZ7-02 | | |
| 1 | HANDLE SCREW | 1 | B135-C27000 BUB304 | RZ7-01 | | |
| SIZE | L | NO | PART | PCS | MATERIAL | REMARKS |

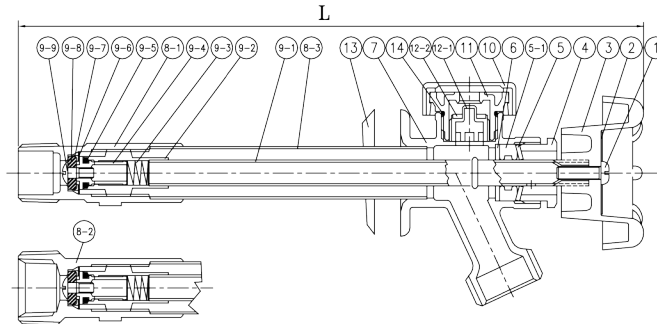


| PART# | MODEL # | DESCRIPTION |
|------------------------|--------------------|-------------|
| F1807 PEX INLET | | |
| H20018 | HPLFFP124F1807PEX | 4" Length |
| H20019 | HPLFFP126F1807PEX | 6" Length |
| H20020 | HPLFFP128F1807PEX | 8" Length |
| H20021 | HPLFFP1210F1807PEX | 10" Length |
| H20022 | HPLFFP1212F1807PEX | 12" Length |

HYDRAPRO INC.
 Phone: 877-813-2333; Fax 877-249-8435
 Atlanta - Boston - Dallas - Pompano Beach - Houston - Philadelphia
www.hydrapro.biz

IPS Frost Free Sillcocks

- Multi-Turn
- Lead Free
- Anti-Siphon
- With Vacuum Breaker
- 3/4" MHT Outlet



| | | | | | | |
|------|------------------|----|-----------------------|------------|----------|---------|
| 14 | VB O-RING | 1 | BUNA-N | HS70° | | |
| 13 | SIDING WEDGE | 1 | LDPE | | | |
| 12-2 | VB PACKING | 1 | N B R | HS35° | | |
| 12-1 | VB DISC | 1 | CELCON | | | |
| 11 | VB BODY | 1 | B16-C36000 | | | |
| 10 | VB COVER | 1 | P P | | | |
| 9-9 | PACKING SCREW | 1 | B134-C27000 SUS304 | HS P1-1015 | | |
| 9-8 | SEAT PACKING | 1 | N B R | HS70° | | |
| 9-7 | PACKING HOLDER | 1 | B16-C36000 | | | |
| 9-6 | DIAPHRAGM | 1 | SILICON | HS70° | | |
| 9-5 | O-RING | 1 | BUNA-N | HS55° | | |
| 9-4 | DISC | 1 | B16-C36000 | | | |
| 9-3 | SPRING | 1 | 304STAINLESS | | | |
| 9-2 | PISTON | 1 | B16-C36000 | | | |
| 9-1 | STEM | 1 | B135-C27000 | | | |
| 8-3 | TUBE | 1 | B135-C27000 | | | |
| 8-2 | T SEAT | 1 | B584-C857 | | | |
| 8-1 | ED SEAT | 1 | B584-C857 | | | |
| 7 | BODY | 1 | B584-C857 | | | |
| 6 | STOP WASHER | 1 | 304STAINLESS | | | |
| 5-1 | STEM PACKING | 1 | SAME AS NBR | HS55° | | |
| 5 | WASHER | 1 | 304STAINLESS | | | |
| 4 | STEM GLAND SCREW | 1 | B16-C36000 | | | |
| 3 | HAND WHEEL | 1 | BB6/ABS | | | |
| 2 | NAME PLATE | 1 | B209-1100 | | | |
| 1 | HANDLE SCREW | 1 | B134-C27000 SUS304 | | | |
| SIZE | L | NO | PART | PCS | MATERIAL | REMARKS |



| PART# | MODEL # | DESCRIPTION |
|------------------|---------------|-------------|
| IPS INLET | | |
| H20013 | HPLFFP124IPS | 4" Length |
| H20014 | HPLFFP126IPS | 6" Length |
| H20015 | HPLFFP128IPS | 8" Length |
| H20016 | HPLFFP1210IPS | 10" Length |
| H20017 | HPLFFP1212IPS | 12" Length |

HYDRAPRO INC.
 Phone: 877-813-2333; Fax 877-249-8435
 Atlanta - Boston - Dallas - Pompano Beach - Houston - Philadelphia
www.hydrapro.biz