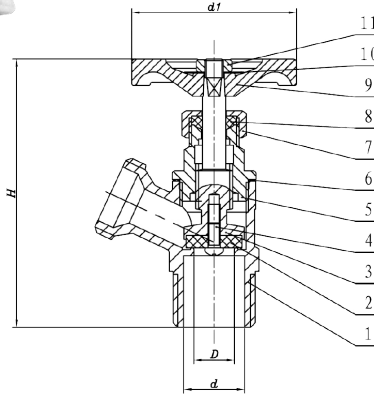


## Boiler Drains

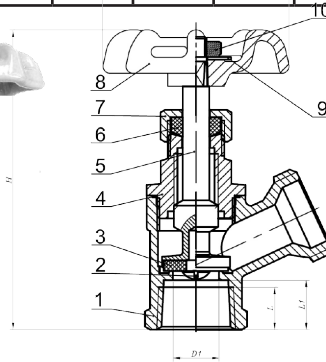


- Brass Body
- 3/4" MHT Outlet



NO.	PART	MATERIAL
1	Body	Brass
2	Gasket	NBR
3	Stem	Brass
4	Screw	Brass
5	Cap	Brass
6	Gasket	PTFE
7	Gland Nut	Brass
8	Stuffing	NBR
9	Hand Wheel	Cast Iron
10	Name Plate	Aluminum
11	Nut	Steel

ITEM #	DESCRIPTION	H	D	d	d1
HPVBDU12	1/2" MIP OR 1/2" SWEAT	3.465	Ø.512	Ø.630	Ø2.087
HPVBDM34	3/4" MIP	3.465	Ø.512	Ø.780	Ø2.087
HPVBDU12LF	1/2" MIP OR SWEAT X 3/4" MHT	3.465	Ø.512	Ø.630	Ø2.087
HPVBDM34LF	3/4" MIP X 3/4" MHT	3.465	Ø.512	Ø.780	Ø2.087



NO.	PART	MATERIAL
1	Body	Brass
2	Screw	Brass
3	Gasket	NBR
4	Cap	Brass
5	Stem	Brass
6	Stuffing	NBR
7	Gland Nut	Brass
8	Hand Wheel	Cast Iron
9	Name Plate	Aluminum
10	Nut	Steel

ITEM #	DESCRIPTION	D	D1	L	L1	H
HPVBDF12	1/2" FIP	Ø2.087	Ø.512	0.551	0.610	3.110
HPVBDF34	3/4" FIP	Ø2.087	Ø.512	0.591	0.650	3.150
HPVBDF12LF	1/2" FIP X 3/4" MHT	Ø2.087	Ø.512	0.551	0.610	3.110
HPVBDF34LF	3/4" FIP X 3/4" MHT	Ø2.087	Ø.512	0.591	0.650	3.150

HYDRAPRO INC.

Phone: 877-813-2333; Fax 877-249-8435

Atlanta - Boston - Dallas - Pompano Beach - Houston - Philadelphia

www.hydrapro.biz