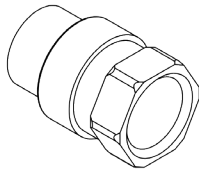
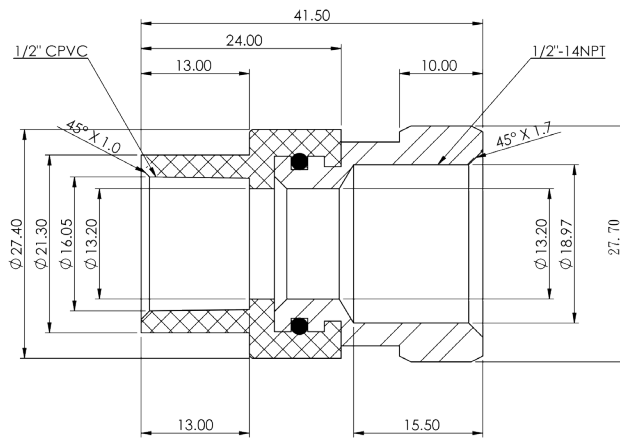
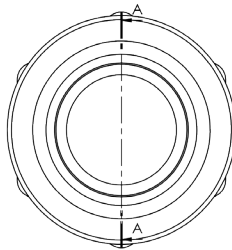


## CPVC Transition Fittings - Female Adapter

- CPVC X LEAD FREE BRASS
- Lead Free
- Max working pressure 100 PSI @ 1800 F
- ASTM D 2846



PART#	DESCRIPTION	INNER CARTON QTY	MASTER CARTON QTY
<b>CPVC X LEAD FREE BRASS</b>			
STD4703BTLF12	1/2" CPVC X 1/2" FIP	25	250

HYDRAPRO INC.

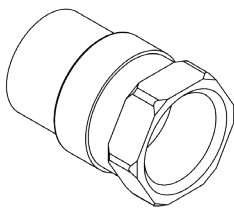
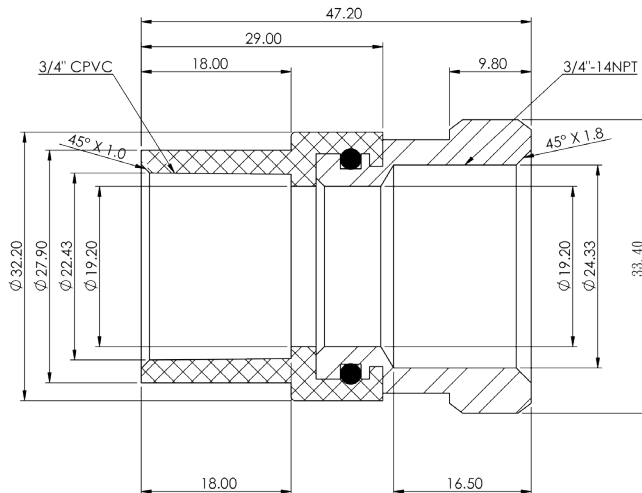
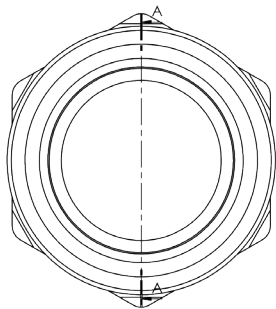
Phone: 877-813-2333; Fax 877-249-8435

Atlanta - Boston - Dallas - Pompano Beach - Houston - Philadelphia

www.hydrapro.biz

## CPVC Transition Fittings - Female Adapter

- CPVC X LEAD FREE BRASS
- Lead Free
- Max working pressure 100 PSI @ 1800 F
- ASTM D 2846



PART#	DESCRIPTION	INNER CARTON QTY	MASTER CARTON QTY
<b>CPVC X LEAD FREE BRASS</b>			
STD4703BTLF34	3/4" CPVC X 3/4" FIP	25	250

HYDRAPRO INC.

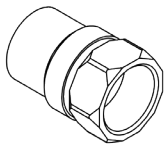
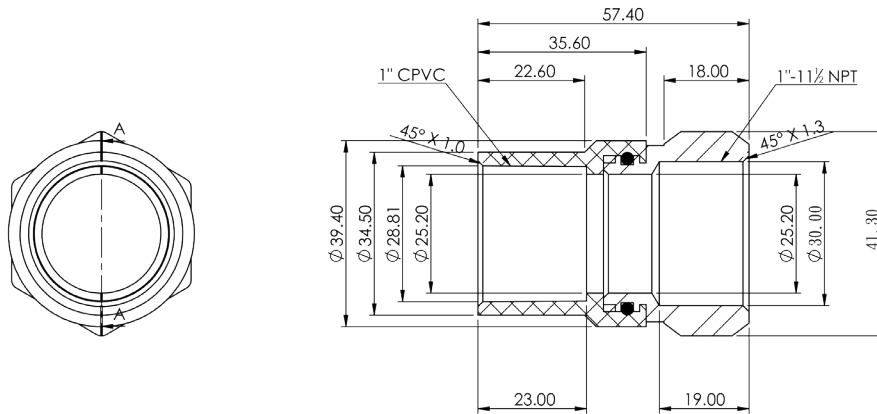
Phone: 877-813-2333; Fax 877-249-8435

Atlanta - Boston - Dallas - Pompano Beach - Houston - Philadelphia

www.hydrapro.biz

## CPVC Transition Fittings - Female Adapter

- CPVC X LEAD FREE BRASS
- Lead Free
- Max working pressure 100 PSI @ 1800 F
- ASTM D 2846



PART#	DESCRIPTION	INNER CARTON QTY	MASTER CARTON QTY
<b>CPVC X LEAD FREE BRASS</b>			
STD4703BTLF1	1" CPVC X 1" FIP	25	150

HYDRAPRO INC.

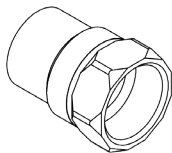
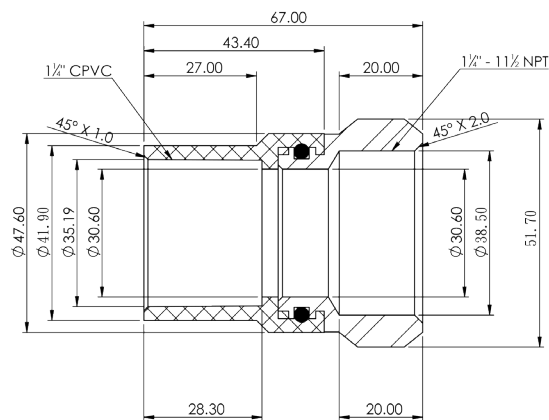
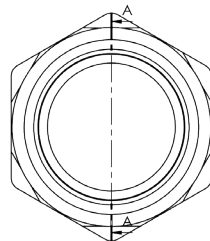
Phone: 877-813-2333; Fax 877-249-8435

Atlanta - Boston - Dallas - Pompano Beach - Houston - Philadelphia

www.hydrapro.biz

## CPVC Transition Fittings - Female Adapter

- CPVC X LEAD FREE BRASS
- Lead Free
- Max working pressure 100 PSI @ 1800 F
- ASTM D 2846



PART#	DESCRIPTION	INNER	MASTER
		CARTON	CARTON
		QTY	QTY
<b>CPVC X LEAD FREE BRASS</b>			
STD4703BTLF114	1-1/4" CPVC X 1-1/4" FIP	10	80

HYDRAPRO INC.

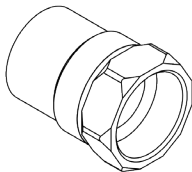
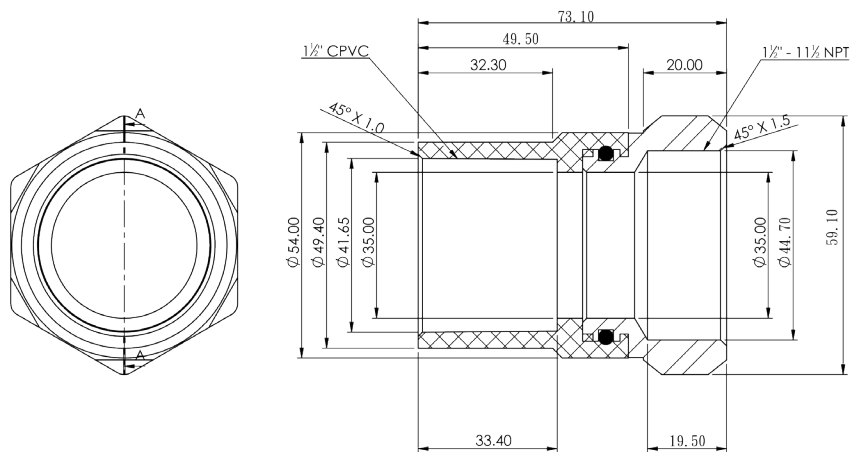
Phone: 877-813-2333; Fax 877-249-8435

Atlanta - Boston - Dallas - Pompano Beach - Houston - Philadelphia

www.hydrapro.biz

## CPVC Transition Fittings - Female Adapter

- CPVC X LEAD FREE BRASS
- Lead Free
- Max working pressure 100 PSI @ 1800 F
- ASTM D 2846



PART#	DESCRIPTION	INNER	MASTER
		CARTON	CARTON
		QTY	QTY
<b>CPVC X LEAD FREE BRASS</b>			
STD4703BTLF112	1-1/2" CPVC X 1-1/2" FIP	10	60

HYDRAPRO INC.

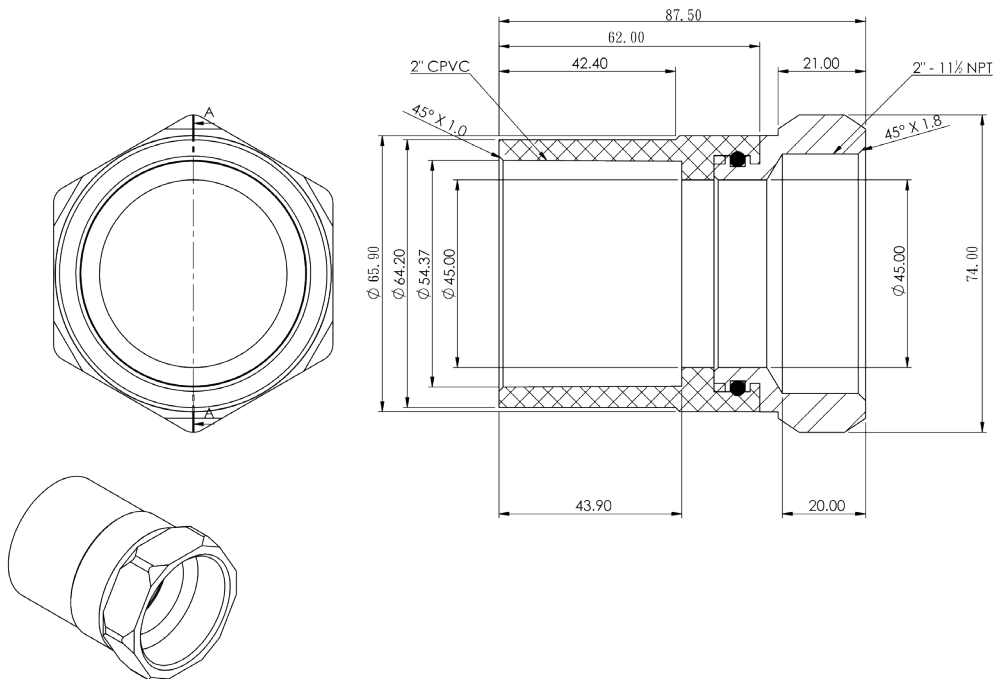
Phone: 877-813-2333; Fax 877-249-8435

Atlanta - Boston - Dallas - Pompano Beach - Houston - Philadelphia

www.hydrapro.biz

## CPVC Transition Fittings - Female Adapter

- CPVC X LEAD FREE BRASS
- Lead Free
- Max working pressure 100 PSI @ 1800 F
- ASTM D 2846



PART#	DESCRIPTION	INNER	MASTER
		CARTON	CARTON
		QTY	QTY
<b>CPVC X LEAD FREE BRASS</b>			
STD4703BTLF2	2" CPVC X 2" FIP	5	20

HYDRAPRO INC.

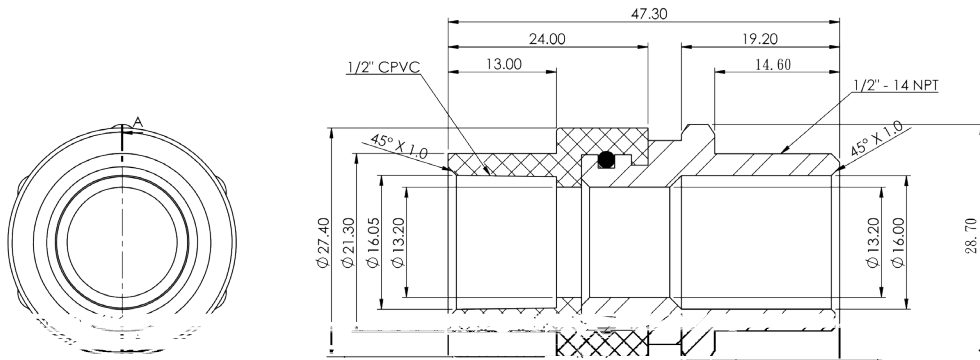
Phone: 877-813-2333; Fax 877-249-8435

Atlanta - Boston - Dallas - Pompano Beach - Houston - Philadelphia

www.hydrapro.biz

## CPVC Transition Fittings - Male Adapter

- CPVC X LEAD FREE BRASS
- Lead Free
- Max working pressure 100 PSI @ 1800 F
- ASTM D 2846



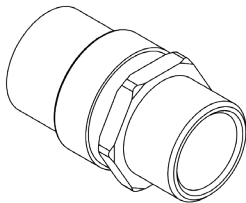
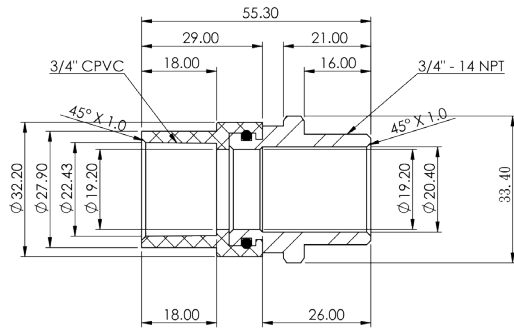
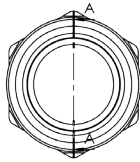
5



PART#	DESCRIPTION	INNER CARTON QTY	MASTER CARTON QTY
<b>CPVC X LEAD FREE BRASS</b>			
STD4704BTLF12	1/2" CPVC X 1/2" FIP	25	250

## CPVC Transition Fittings - Male Adapter

- CPVC X LEAD FREE BRASS
- Lead Free
- Max working pressure 100 PSI @ 1800 F
- ASTM D 2846

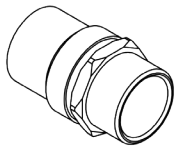
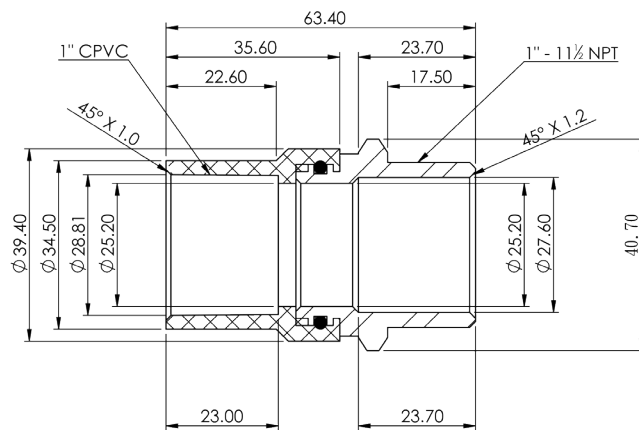
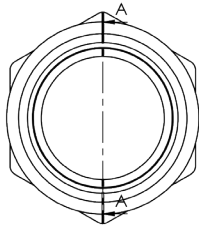


PART#	DESCRIPTION	INNER	MASTER
		CARTON	CARTON
<b>CPVC X LEAD FREE BRASS</b>			
STD4704BTLF34	3/4" CPVC X 3/4" FIP	25	250



## CPVC Transition Fittings - Male Adapter

- CPVC X LEAD FREE BRASS
- Lead Free
- Max working pressure 100 PSI @ 1800 F
- ASTM D 2846



PART#	DESCRIPTION	INNER CARTON QTY	MASTER CARTON QTY
<b>CPVC X LEAD FREE BRASS</b>			
STD4704BTLF1	1" CPVC X 1" FIP	25	150

HYDRAPRO INC.

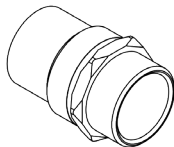
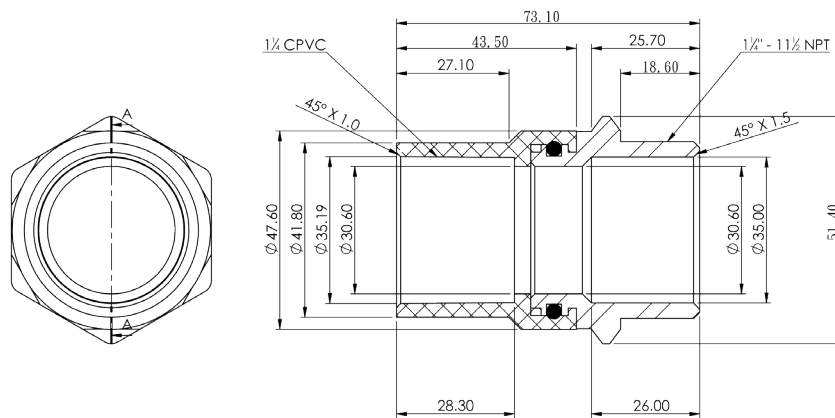
Phone: 877-813-2333; Fax 877-249-8435

Atlanta - Boston - Dallas - Pompano Beach - Houston - Philadelphia

www.hydrapro.biz

## CPVC Transition Fittings - Male Adapter

- CPVC X LEAD FREE BRASS
- Lead Free
- Max working pressure 100 PSI @ 1800 F
- ASTM D 2846



PART#	DESCRIPTION	INNER CARTON QTY	MASTER CARTON QTY
<b>CPVC X LEAD FREE BRASS</b>			
STD4704BTLF114	1-1/4" CPVC X 1-1/4" FIP	10	80

HYDRAPRO INC.

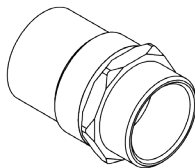
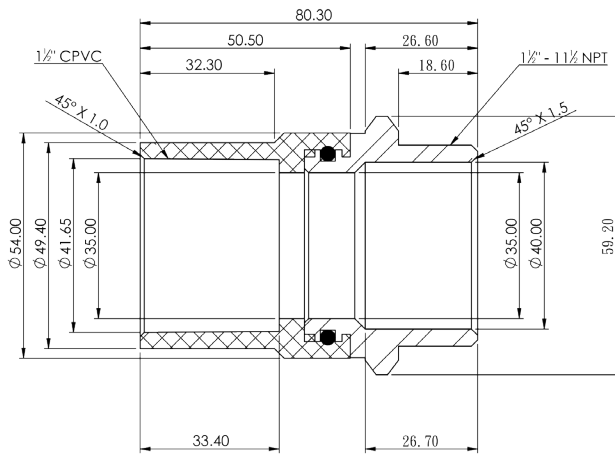
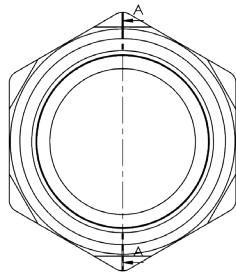
Phone: 877-813-2333; Fax 877-249-8435

Atlanta - Boston - Dallas - Pompano Beach - Houston - Philadelphia

www.hydrapro.biz

## CPVC Transition Fittings - Male Adapter

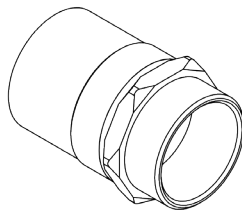
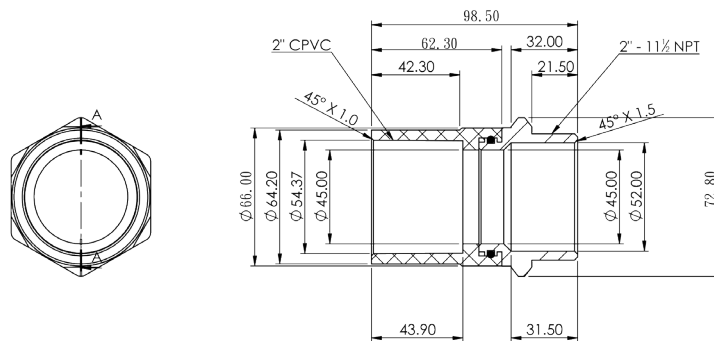
- CPVC X LEAD FREE BRASS
- Lead Free
- Max working pressure 100 PSI @ 1800 F
- ASTM D 2846



PART#	DESCRIPTION	INNER	MASTER
		CARTON	CARTON
		QTY	QTY
<b>CPVC X LEAD FREE BRASS</b>			
STD4704BTLF112	1-1/2" CPVC X 1-1/2" FIP	10	60

## CPVC Transition Fittings - Male Adapter

- CPVC X LEAD FREE BRASS
- Lead Free
- Max working pressure 100 PSI @ 1800 F
- ASTM D 2846



PART#	DESCRIPTION	INNER CARTON QTY	MASTER CARTON QTY
<b>CPVC X LEAD FREE BRASS</b>			
STD4704BTLF2	2" CPVC X 2" FIP	5	20

HYDRAPRO INC.

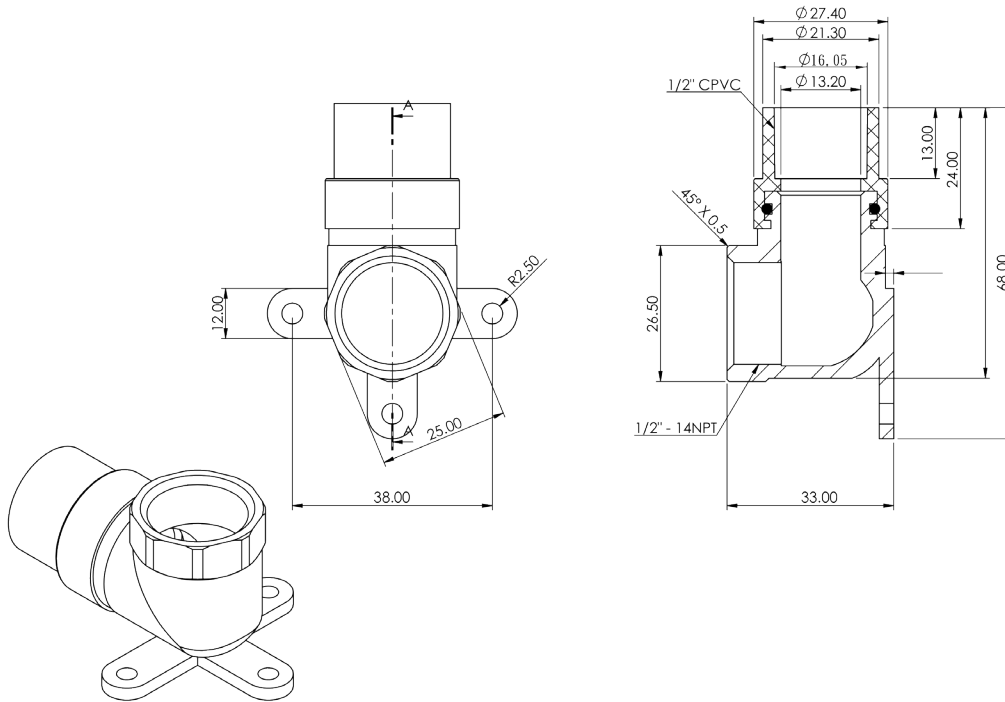
Phone: 877-813-2333; Fax 877-249-8435

Atlanta - Boston - Dallas - Pompano Beach - Houston - Philadelphia

www.hydrapro.biz

## CPVC Transition Fittings - Female Drop Ear

- CPVC X LEAD FREE BRASS
- Lead Free
- Max working pressure 100 PSI @ 1800 F
- ASTM D 2846



PART#	DESCRIPTION	INNER CARTON QTY	MASTER CARTON QTY
<b>CPVC X LEAD FREE BRASS</b>			
STD470735BTLF12	1/2" CPVC X 1/2" FIP	25	250

HYDRAPRO INC.

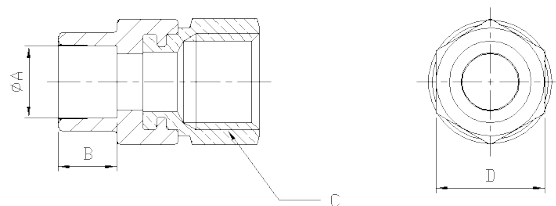
Phone: 877-813-2333; Fax 877-249-8435

Atlanta - Boston - Dallas - Pompano Beach - Houston - Philadelphia

www.hydrapro.biz

## CPVC Transition Fittings - Female Adapter

- CPVC X STAINLESS STEEL
- Lead Free
- Max working pressure 100 PSI @ 1800 F
- ASTM D 2846



CPVC to Stainless Steel Transition Fitting, Female					
ITEM	Size	$\phi A$ Socket Bottom Diameter, in.	B Socket Length, min, In.	C	D
STD4703ST12	1/2" Tube	0.619"±0.003"	0.5"	1/2" NPT	(0.94")
STD4703ST34	3/4" Tube	0.870"±0.003"	0.7"	3/4" NPT	(1.19")
STD4703ST1	1" Tube	1.121"±0.003"	0.9"	1" NPT	(1.49")
STD4703ST114	1 1/4" Tube	1.372"±0.003"	1.10"	1 1/4" NPT	(1.96")
STD4703ST112	1 1/2" Tube	1.622"±0.004"	1.30"	1 1/2" NPT	(2.21")
STD4703ST2	2" Tube	2.123"±0.004"	1.70"	2" NPT	(2.73")



PART#	DESCRIPTION	INNER	MASTER
		CARTON	CARTON
QTY			
CPVC X STAINLESS STEEL			
STD4703ST12	1/2" CPVC X 1/2" FIP	25	150
STD4703ST34	3/4" CPVC X 3/4" FIP	25	100
STD4703ST1	1" CPVC X 1" FIP	25	50
STD4703ST114	1-1/4" CPVC X 1-1/4" FIP	1	16
STD4703ST112	1-1/2" CPVC X 1-1/2" FIP	1	16
STD4703ST2	2" CPVC X 2" FIP	1	8

HYDRAPRO INC.

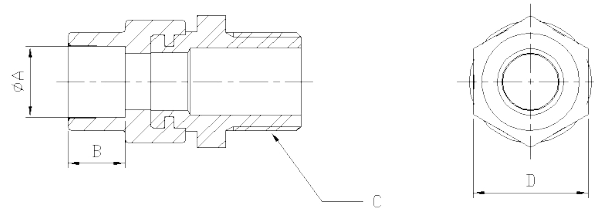
Phone: 877-813-2333; Fax 877-249-8435

Atlanta - Boston - Dallas - Pompano Beach - Houston - Philadelphia

www.hydrapro.biz

## CPVC Transition Fittings - Male Adapter

- CPVC X STAINLESS STEEL
- Lead Free
- Max working pressure 100 PSI @ 1800 F
- ASTM D 2846



CPVC to Stainless Steel Transition Fitting, Male

ITEM	Size	ØA Socket Bottom Diameter, in.	B Socket Length, min, In.	C	D
STD4704ST12	1/2" Tube	0.619"±0.003"	0.5"	1/2" NPT	<0.97">
STD4704ST34	3/4" Tube	0.870"±0.003"	0.7"	3/4" NPT	<1.24">
STD4704ST1	1" Tube	1.121"±0.003"	0.9"	1" NPT	<1.35">
STD4704ST114	1 1/4" Tube	1.372"±0.003"	1.10"	1 1/4" NPT	<1.74">
STD4704ST112	1 1/2" Tube	1.622"±0.004"	1.30"	1 1/2" NPT	<1.98">
STD4704ST2	2" Tube	2.123"±0.004"	1.70"	2" NPT	<2.46">



PART#	DESCRIPTION	INNER	MASTER
		CARTON	CARTON
		QTY	QTY
<b>CPVC X STAINLESS STEEL</b>			
STD470ST12	1/2" CPVC X 1/2" MIP	25	150
STD4704ST34	3/4" CPVC X 3/4" MIP	25	100
STD4704ST1	1" CPVC X 1" MIP	25	50
STD4704ST114	1-1/4" CPVC X 1-1/4" MIP	1	16
STD4704ST112	1-1/2" CPVC X 1-1/2" MIP	1	16
STD4704ST2	2" CPVC X 2" MIP	1	8

HYDRAPRO INC.

Phone: 877-813-2333; Fax 877-249-8435

Atlanta - Boston - Dallas - Pompano Beach - Houston - Philadelphia

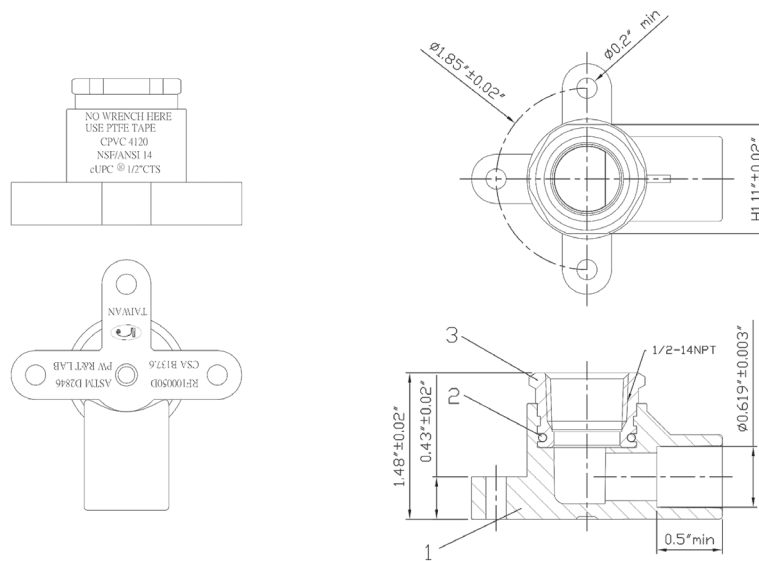
www.hydrapro.biz

## CPVC Transition Fittings - Female Drop Ear

- CPVC X STAINLESS STEEL
- Lead Free
- Max working pressure 100 PSI @ 1800 F
- ASTM D 2846



NO	PART NAME	MATERIAL	QTY
1	PVC OVERMOLD	CPVC(LUBRIZOL)	1
2	SEAL	EPDM	1
3	METAL INSERT	Stainless Steel	1



PART#	DESCRIPTION	INNER CARTON QTY	MASTER CARTON QTY
<b>CPVC X STAINLESS STEEL (CPVC EARS)</b>			
STD470735ST12	1/2" CPVC X 1/2" FIP	25	100

HYDRAPRO INC.

Phone: 877-813-2333; Fax 877-249-8435

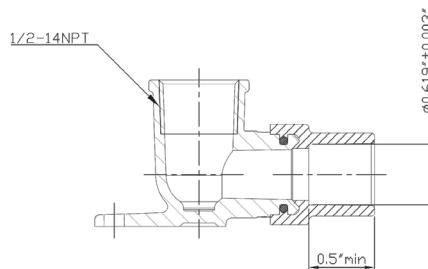
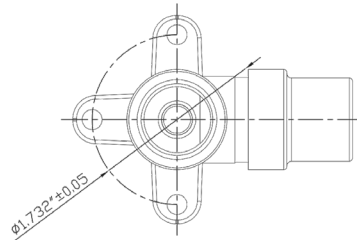
Atlanta - Boston - Dallas - Pompano Beach - Houston - Philadelphia

www.hydrapro.biz



### CPVC Transition Fittings - Female Drop Ear

- CPVC X STAINLESS STEEL
- Lead Free
- Max working pressure 100 PSI @ 1800 F
- ASTM D 2846



PART#	DESCRIPTION	INNER CARTON QTY	MASTER CARTON QTY
<b>CPVC X STAINLESS STEEL (SS EARS)</b>			
STD470735ST12SS	1/2" CPVC X 1/2" FIP	25	100

HYDRAPRO INC.

Phone: 877-813-2333; Fax 877-249-8435

Atlanta - Boston - Dallas - Pompano Beach - Houston - Philadelphia

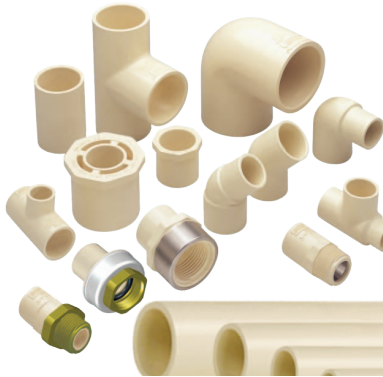
www.hydrapro.biz



# EverTUFF® CTS CPVC HOT & COLD WATER DISTRIBUTION SYSTEM

CTS-2-1014

## Certified Safe Alternative to Metal Plumbing Systems



All conventional metal plumbing systems corrode leaving their corrosive wastes for deposit into the water system. CPV thermoplastic system components never corrode. Spears® EverTUFF® CTS CPVC system of fittings, pipe, supply stops & valves are Certified lead-free by NSF® International (NSF®) in accordance with ANSI/NSF® 61 and NSF®372 for compliance with all State & Federal Regulations. Approved by national, state and most municipal building codes\* and Listed by ICC to ASTM E84 for Flame & Smoke Characteristics of less than 25/50 for use in return air plenums (See PMG Listing No. PMG-1278 at [www.icc-es-pmg.org](http://www.icc-es-pmg.org)). Spears® CTS CPVC products are ideally suited for hot and cold water distribution systems in residential and commercial structures, as well as recreational vehicles, modular homes and mobile homes.

\*Check state and local codes.

### Full Line of CTS CPVC Fittings, Pipe, Supply Stops & Ball Valves 1/2" Through 2" Plus Supplemental IPS CPVC in 2-1/2" & Up

EverTUFF® CPVC pipe and fitting are available for most any size project using Copper-Tube-Size (CTS) CPVC in sizes 1/2" through 2". Plus, can be used with supplemental Schedule 40 and Schedule 80 CPVC Iron Pipe Size (IPS) for sizes 2-1/2" and larger available for use in multi-story installations where adequate design and installation practices have been utilized .

### Exceptional Corrosion Resistance

Unlike metal systems, CPVC CTS products never rust, scale, or pit, and will provide many years of maintenance-free service and extended system life.

### Energy Savings

Low heat conductivity minimizes heat loss in hot water systems.

### Higher Flow Capacity

Smooth interior walls result in lower pressure loss and higher volume than conventional metal systems.

### Lower System Costs

Lower material costs than metallic systems, combined with lighter weight and ease of installation, can substantially reduce installation cost.

### Suitable for Commercial Hot Water

CTS CPVC products can handle fluids at service temperatures up to 180°F (82°C).

### CTS CPVC 1/4-Turn Angle Supply Stop



Used with plumbing fixtures to terminate and control hot and cold water supply, Angle Supply Stops NSF® Certified to ASTM F 1970 for use in ASTM D 2846 Hot & Cold Water Distribution Systems. All Supply Stops are rated to 100 psi @ 180°F. Available in 1/2" CTS Socket, Spears® patented Special Reinforced (SR) 1/2" FIPT female thread inlets. Choose 1/2" and 3/8" NPT male thread outlets or 1/2" and 3/8" Compression male thread outlets for connection to conventional Female NPT or Female Compression faucet or toilet supply lines with captive seals.

### CTS CPVC Ball Valves



Residential

Commercial

Spears® EverTUFF® Copper-Tube-Size Ball Valves feature one-piece design that never requires adjustment. EPDM O-ring seal and PTFE Seats enable bubble-tight shut off. Choose Heavy Commercial design manufactured to ASTM F1970 for use in ASTM D 2846 Hot & Cold Water Distribution Systems or Economical Residential design. Rated to 100 psi maximum internal pressure at 180°F and NSF® Certified Lead-Free for use in potable water systems.

**PROGRESSIVE PRODUCTS FROM SPEARS® INNOVATION & TECHNOLOGY**

Visit our web site: [www.spearsmfg.com](http://www.spearsmfg.com)

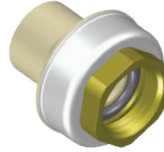
## Spears® EverTUFF® Exclusive Specialty Fittings - All Lead-Free...

### CTS CPVC Push-on Couplings



- Uses **NO Solvent Cement**  
– Permanent Connection
- Excellent for Repairs & Transition to Copper Systems
- NSF® Certified Lead-Free

### Gasket Sealed Brass-Threaded Transition Fittings



- Eliminates Radial Stress
- Requires NO Thread Sealants
- Eliminates Sealant Incompatibility
- NSF® Certified Lead-Free

### Patented Special Reinforced (SR) Plastic Threaded Transition Fittings



- Eliminates Split Threads
- Eliminates Leaks Associated with Over Tightening
- Eliminates MIC, Electrolytic & Soil Chemistry Corrosion
- NSF® Certified Lead-Free

### Stainless Steel Threaded Transition Fittings



- Excellent for Transitions to Metal Systems
- NSF® Certified Lead-Free

### Lead-Free Brass Compression Unions



- NSF® Certified Lead-Free
- Transitions to Copper Tubing and Other Metal Systems

## Spears® EverTUFF®, The Full-Service CTS CPVC Product Line...

### Application

Spears® EverTUFF® Copper-Tube-Size (CTS) products are manufactured from chlorinated polyvinyl chloride (CPVC) for use with SDR-11 piping systems of CTS outside diameter in hot and cold water distribution systems in nominal pipe size 1/2" through 2". CTS CPVC products can be used in conjunction with Spears® supplemental Schedule 40 and Schedule 80 CPVC Iron-Pipe-Size (IPS) pipe and fittings for sizes 2-1/2" through 12" in commercial multi-story installations. Check state and local codes for application and restrictions.

### Working Pressure

Spears® EverTUFF® CTS CPVC fittings, pipe and valves have a continuous working pressure rating of 100 psi at 180°F, unless designated for cold water use only.

### Conformance Standards

Spears® EverTUFF® CTS CPVC fittings conform to ASTM D 2846 Specification for Chlorinated Poly (Vinyl Chloride) (CPVC) Plastic Hot and Cold Water Distribution Systems.

### Product Certification

Spears® EverTUFF® CTS CPVC piping systems are certified by NSF® International (NSF®) to ASTM D 2846 for use in Hot and Cold Water Distribution Systems, to the Uniform Plumbing Code (NSF® U.P.Code) and for use in potable water service. All Spears® EverTUFF® CTS CPVC products are NSF® certified lead-free in accordance with ANSI/NSF® Standard 61 and 372 for compliance with all State & Federal regulation. All Spears® EverTUFF® CTS CPVC pipe and fittings are Listed by ICC to ASTM E84 for flame spread/smoke development of less than 25/50.

### Sample Engineering Specifications

All fittings, pipe, supply stops and valves shall be EverTUFF® Copper-Tube-Size (CTS) constructed from CPVC 4120 with minimum Cell Classification of 23447. All CTS CPVC products shall be produced to applicable requirements of ASTM D 2846 and rated to 100 psi at 180°F, unless specifically designated for cold water service only. All supply stops shall be 1/4 turn angle or straight pattern CTS CPVC with NPT or Compression male thread outlets. All ball valves shall be CTS CPVC sealed unit type with EPDM O-ring and double stop Polypropylene handle in either Commercial or Residential design. All CTS CPVC products shall be certified lead-free for potable water use by NSF® International in accordance with NSF® 61 and NSF® 372. All pipe and fittings shall be Listed by ICC for compliance with ASTM E84 Surface Burning Characteristic with flame spread/smoke development of less than 25/50 for use in return air plenums, as manufactured by Spears® Manufacturing Company.



**SPEARS® MANUFACTURING COMPANY • CORPORATE OFFICE**

15853 Olden St., Sylmar, CA 91342 • PO Box 9203, Sylmar, CA 91392  
(818) 364-1611 • www.spearsmfg.com

