

Stainless Steel Sinks



Part #	Model #	Description (Size)	MAKE SELECTION BELOW
SINGLE BOWL UNDERMOUNT SINK (23" x 17 3/4" x 9")			<input type="checkbox"/>
-	VS2318	22 GAUGE UNDERMOUNT	<input type="checkbox"/>

Installation Type: Undermount

Material: 304 Stainless Steel

Gauge: 22

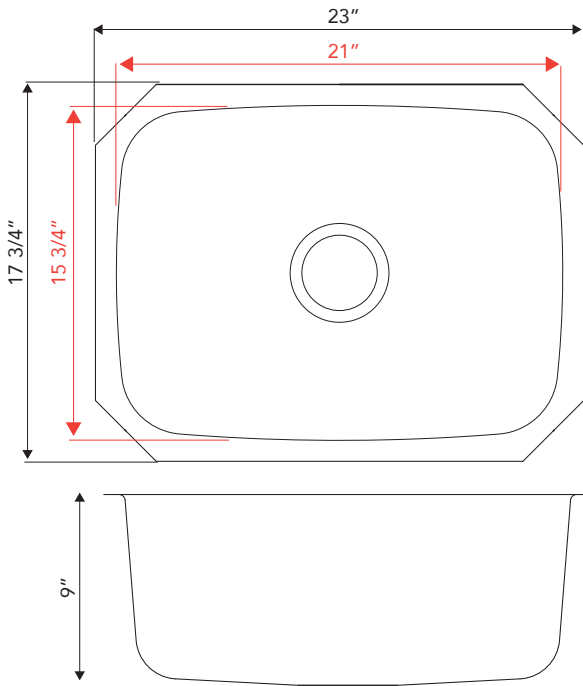
Number of Bowls: 1

Sink Dimenions: 23" x 17 3/4" x 9"

Drain Location: Center

Cutout Template: N/A

Cutout Dimension: N/A



ADDITIONAL STAINLESS STEEL SINK DETAILS & INFORMATION

- One piece drawing, no welding and no center seam
- 304 Stainless Steel
- Meets UPC standards
- Sound deadening pads

JOB NAME: _____

JOB LOCATION: _____

CONTRACTOR: _____

DATE: _____

ENGINEER APPROVAL: _____

DATE: _____

ITEM TAG: _____

PART NUMBER: _____



Sinks are listed by IAPMO® as meeting the applicable requirements of the Uniform Plumbing Code®, International Plumbing Code®, and National Plumbing Code of Canada.