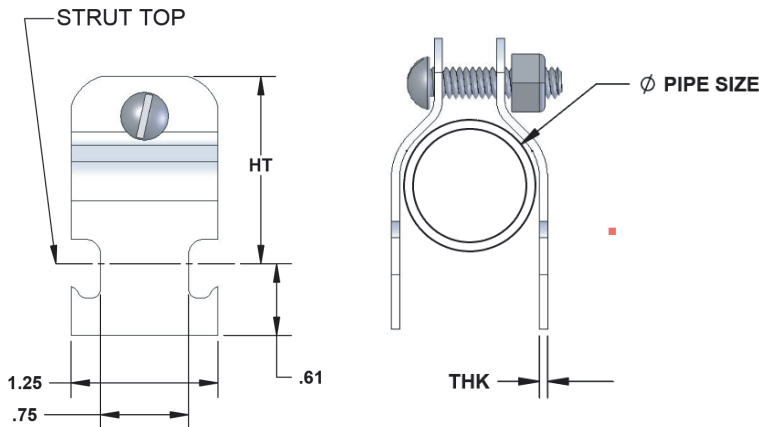
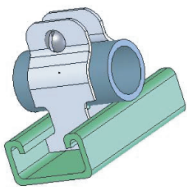
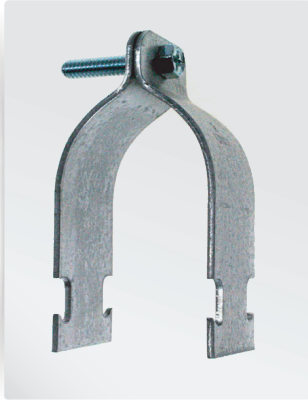


RIGID PIPE STRUT CLAMPS



PART #	MODEL #	DESCRIPTION	INNER CARTON QTY	MASTER CARTON QTY	SELECT MODEL BELOW
ELECTROPLATED RIGID PIPE STRUT CLAMPS					
H33650	HMRPSC12E	1/2" Plated Rigid Pipe Strut Clamp	50	200	<input type="checkbox"/>
H33651	HMRPSC34E	3/4" Plated Rigid Pipe Strut Clamp	50	200	<input type="checkbox"/>
H33652	HMRPSC1E	1" Plated Rigid Pipe Strut Clamp	50	200	<input type="checkbox"/>
H33653	HMRPSC114E	1-1/4" Plated Rigid Pipe Strut Clamp	50	200	<input type="checkbox"/>
H33654	HMRPSC112E	1-1/2" Plated Rigid Pipe Strut Clamp	50	200	<input type="checkbox"/>
H33655	HMRPSC2E	2" Plated Rigid Pipe Strut Clamp	50	200	<input type="checkbox"/>
H33656	HMRPSC212E	2-1/2" Plated Rigid Pipe Strut Clamp	25	100	<input type="checkbox"/>
H33657	HMRPSC3E	3" Plated Rigid Pipe Strut Clamp	25	100	<input type="checkbox"/>
H33658	HMRPSC4E	4" Plated Rigid Pipe Strut Clamp	25	100	<input type="checkbox"/>
H33659	HMRPSC5E	5" Plated Rigid Pipe Strut Clamp	25	100	<input type="checkbox"/>
H33660	HMRPSC6E	6" Plated Rigid Pipe Strut Clamp	25	50	<input type="checkbox"/>
H33661	HMRPSC8E	8" Plated Rigid Pipe Strut Clamp	25	50	<input type="checkbox"/>



PIPE SIZE	THK	HT	BOLT & NUT
1/2"	16 GA	1.4"	1/4" x 1"
3/4"	16 GA	1.6"	1/4" x 1"
1"	16 GA	1.8"	1/4" x 1-1/4"
1-1/4"	16 GA	2.4"	1/4" x 1-1/4"
1-1/2"	14 GA	2.5"	1/4" x 1-1/2"
2"	14 GA	3.0"	1/4" x 1-1/2"
2-1/2"	12 GA	3.7"	5/16" x 1-1/4"
3"	12 GA	4.4"	5/16" x 1-1/4"
3-1/2"	11 GA	4.9"	5/16" x 1-1/4"
4"	11 GA	5.4"	5/16" x 1-1/4"

FINISH: Electroplated Zinc

MATERIAL: Galvanized Steel

JOB NAME: _____

JOB LOCATION: _____

CONTRACTOR: _____ **DATE:** _____ **ITEM TAG:** _____

ENGINEER APPROVAL: _____ **DATE:** _____ **PART NUMBER:** _____