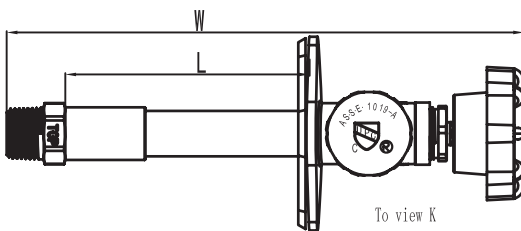


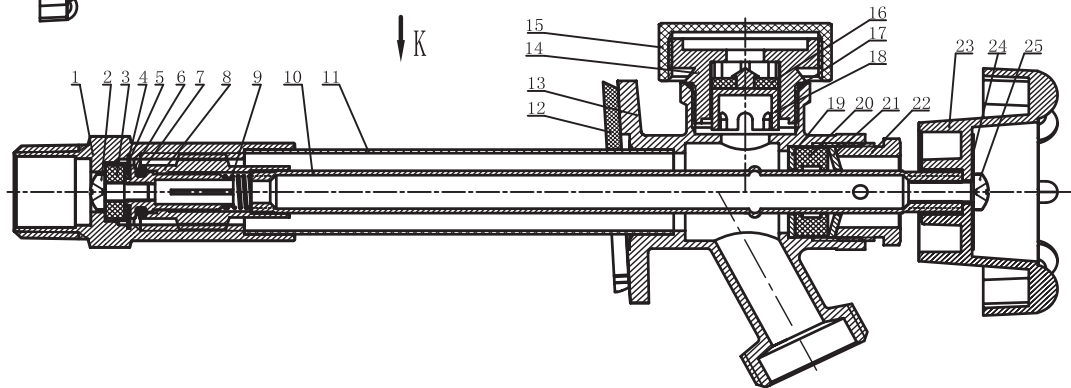
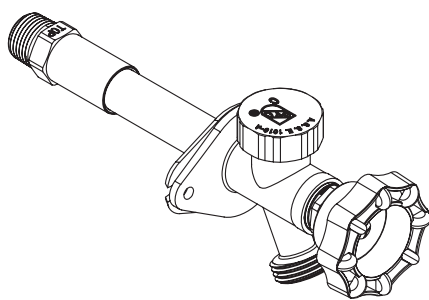
LARGE FLANGE IPS FROST FREE SILLCOCK

- Oversized Mounting Flange
- Multi-turn
- Lead Free
- Anti-siphon
- With Vacuum Breaker
- 3/4" MHT Outlet

PART #	MODEL #	DESCRIPTION
H20018	HPLFFP124IPSLFLF	4"Length
H20019	HPLFFP126IPSLFLF	6"Length
H20020	HPLFFP128IPSLFLF	8"Length
H20021	HPLFFP1210IPSLFLF	10"Length
H20022	HPLFFP1212IPSLFLF	12"Length



To view K



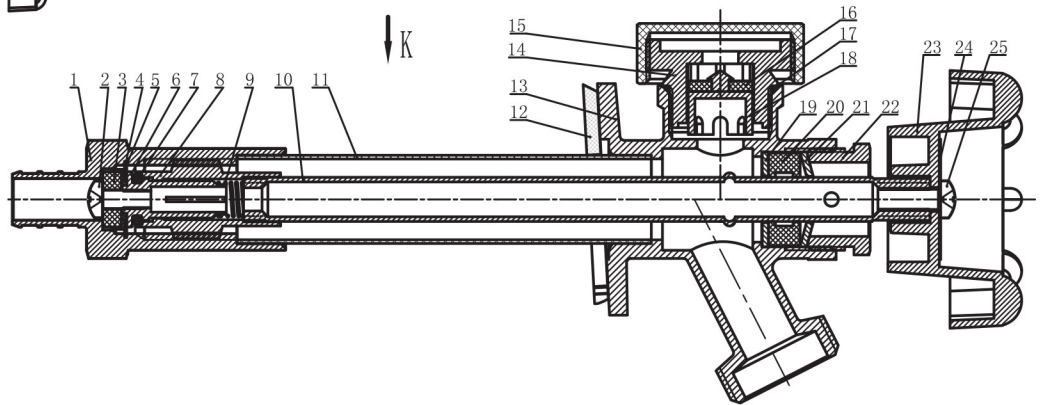
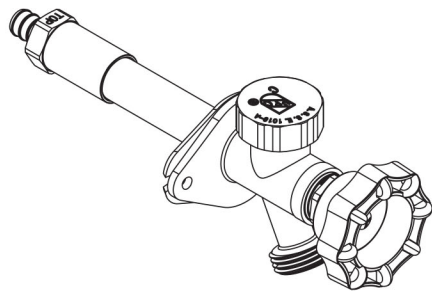
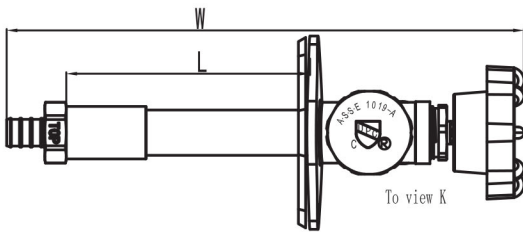
25	Screw(2#)	1	SUS304
24	Nameplate	1	Aluminum Alloy
23	Handwheel	1	Aluminum Alloy
22	Packing Nut	1	Brass C37700
21	Washer (2#)	1	SUS304
20	Rubber Washer(4#)	1	EPDM
19	Washer (1#)	1	SUS304
18	Piston	1	PE
17	O-Ring(2#)	1	NBR
16	Rubber Washer(3#)	1	EPDM
15	Dust Cover	1	PE
14	Piston Cover	1	PE
13	BODY	1	Lead Free Brass
12	Wall Pad	1	PE
11	Copper Pipe(2#)	1	H65
10	Copper Pipe(1#)	1	H65
9	Spring	1	SS304
8	Stem Connect	1	Brass C46500
7	O-Ring(1#)	1	NBR
6	Seal Connect	1	Brass C46500
5	Rubber Washer(2#)	1	硅胶
4	Retainer	1	Brass C46500
3	Rubber Washer(1#)	1	EPDM
2	Screw(1#)	1	SUS304
1	NPT Thread Body Connect	1	Brass C46500
NO.	ITEM	TOTAL	MATERIAL

*Lead Free refers to the wetted surface of pipe, fittings and fixtures in potable water systems that have a weighted average lead content $\leq 0.25\%$ per the Safe Drinking Water Act (Sec. 1417) amended 1-4-2011 and other equivalent state regulations.

LARGE FLANGE F1807 PEX FROST FREE SILLCOCK

- Oversized Mounting Flange
- Multi-turn
- Lead Free
- Anti-siphon
- With Vacuum Breaker
- 3/4" MHT Outlet

PART #	MODEL #	DESCRIPTION
H20118	HPLFFP124F1807PEXLF	4"Length
H20119	HPLFFP126F1807PEXLF	6"Length
H20120	HPLFFP128F1807PEXLF	8"Length
H20121	HPLFFP1210F1807PEXLF	10"Length
H20122	HPLFFP1212F1807PEXLF	12"Length



SPECIFICATION SHEET

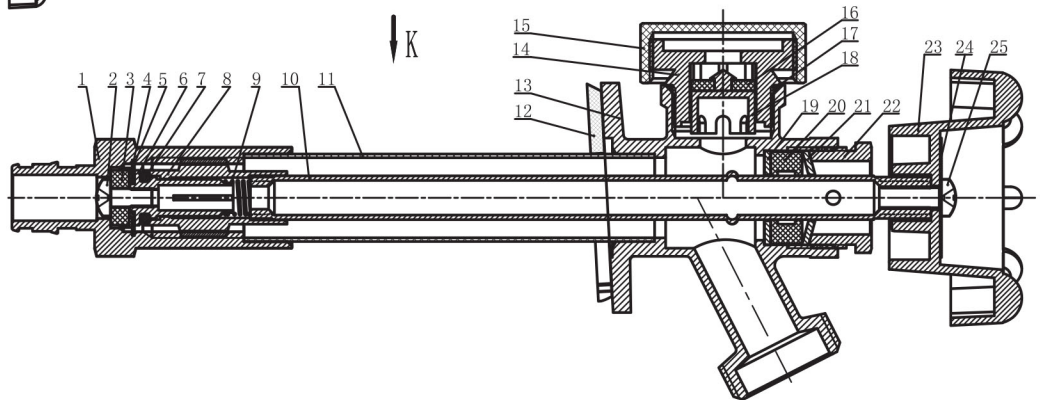
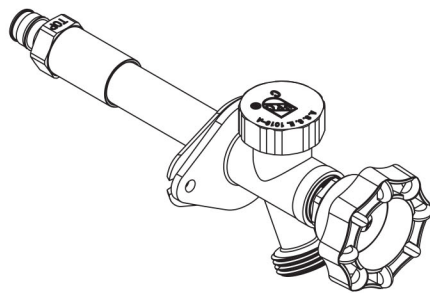
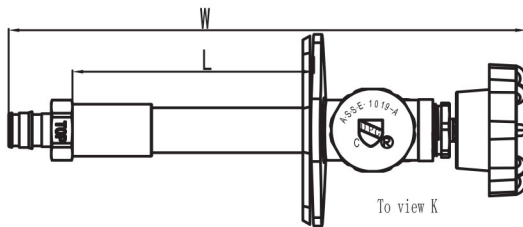
25	Screw(2#)	1	SUS304
24	Nameplate	1	Aluminum Alloy
23	Handwheel	1	Aluminum Alloy
22	Packing Nut	1	Brass C37700
21	Washer (2#)	1	SUS304
20	Rubber Washer(4#)	1	EPDM
19	Washer (1#)	1	SUS304
18	Piston	1	PE
17	O-Ring(2#)	1	NBR
16	Rubber Washer(3#)	1	EPDM
15	Dust Cover	1	PE
14	Piston Cover	1	PE
13	BODY	1	Lead Free Brass
12	Wall Pad	1	PE
11	Copper Pipe(2#)	1	H65
10	Copper Pipe(1#)	1	H65
9	Spring	1	SS304
8	Stem Connect	1	Brass C46500
7	O-Ring(1#)	1	NBR
6	Seal Connect	1	Brass C46500
5	Rubber Washer(2#)	1	硅胶
4	Retainer	1	Brass C46500
3	Rubber Washer(1#)	1	EPDM
2	Screw(1#)	1	SUS304
1	PEX Body Connect	1	Brass C46500
NO.	ITEM	TOTAL	MATERIAL

*Lead Free refers to the wetted surface of pipe, fittings and fixtures in potable water systems that have a weighted average lead content $\leq 0.25\%$ per the Safe Drinking Water Act (Sec. 1417) ammended 1-4-2011 and other equivalent state regulations.

LARGE FLANGE F1960 PEX FROST FREE SILLCOCK

- Oversized Mounting Flange
- Multi-turn
- Lead Free
- Anti-siphon
- With Vacuum Breaker
- 3/4" MHT Outlet

PART #	MODEL #	DESCRIPTION
H20123	HPLFFP124F1960PEXLF	4" Length
H20124	HPLFFP126F1960PEXLF	6" Length
H20125	HPLFFP128F1960PEXLF	8" Length
H20126	HPLFFP1210F1960PEXLF	10" Length
H20127	HPLFFP1212F1960PEXLF	12" Length



SPECIFICATION SHEET

25	Screw(2#)	1	SUS304
24	Nameplate	1	Aluminum Alloy
23	Handwheel	1	Aluminum Alloy
22	Packing Nut	1	Brass C37700
21	Washer (2#)	1	SUS304
20	Rubber Washer(4#)	1	EPDM
19	Washer (1#)	1	SUS304
18	Piston	1	PE
17	O-Ring(2#)	1	NBR
16	Rubber Washer(3#)	1	EPDM
15	Dust Cover	1	PE
14	Piston Cover	1	PE
13	BODY	1	Lead Free Brass
12	Wall Pad	1	PE
11	Copper Pipe(2#)	1	H65
10	Copper Pipe(1#)	1	H65
9	Spring	1	SS304
8	Stem Connect	1	Brass C46500
7	O-Ring(1#)	1	NBR
6	Seal Connect	1	Brass C46500
5	Rubber Washer(2#)	1	硅胶
4	Retainer	1	Brass C46500
3	Rubber Washer(1#)	1	EPDM
2	Screw(1#)	1	SUS304
1	Propex Body Connect	1	Brass C46500
NO.	ITEM	TOTAL	MATERIAL

*Lead Free refers to the wetted surface of pipe, fittings and fixtures in potable water systems that have a weighted average lead content $\leq 0.25\%$ per the Safe Drinking Water Act (Sec. 1417) amended 1-4-2011 and other equivalent state regulations.