

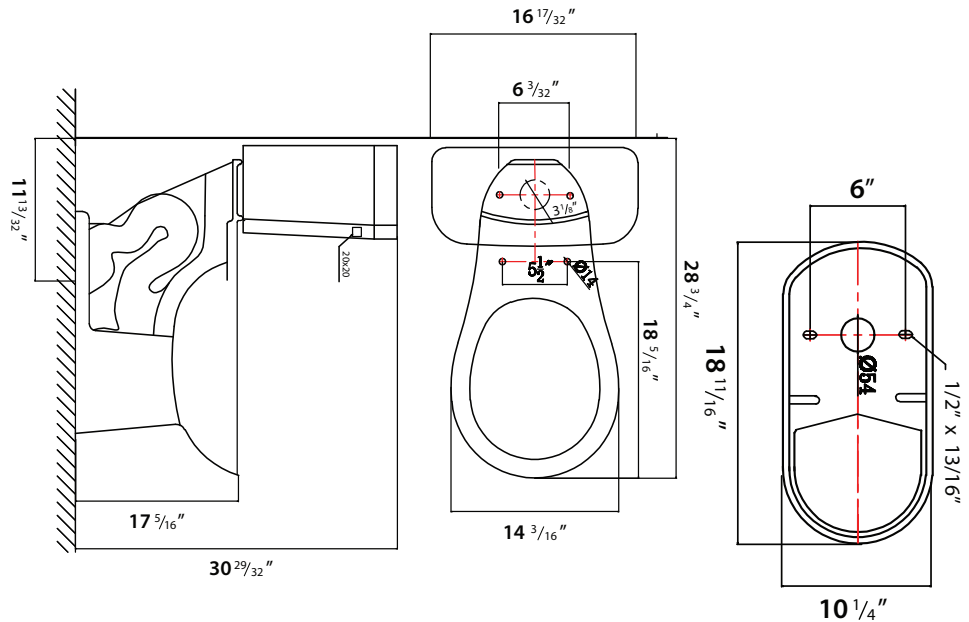
ADA 17" HIGH 1.28 GPF HIGH EFFICIENCY ELONGATED TOILET | WHITE



PART #	MODEL #	DESCRIPTION	SKID QTY.	PRODUCT
ADA 17" HIGH HYDRAPRO ELONGATED TOILET				
H49236	HPTT128	1.28 GPF TOILET TANK LEFT HAND CHROME TRIP (WHITE)	30	
H49235	HPTR128	1.28 GPF TOILET TANK RIGHT HAND CHROME TRIP (WHITE)	30	
H49240	HPAETB128	ADA 17" HIGH HYDRAPRO ELONGATED TOILET BOWL (WHITE)	24	

PRODUCT DETAILS

- Elongated Toilet Bowl
- 17" High
- White
- 1.28 gpf / 4.8 Lpf
- 12" Rough in
- 3" Anti-Siphon Flush Valve
- 2-1/8" Fully Glazed Trap
- Flushes 1000 grams
- UPC Approved
- ADA Approved
- Watersense Approved



JOB NAME:

JOB LOCATION:

CONTRACTOR:

DATE:

ENGINEER APPROVAL:

DATE:

ITEM TAG:

PART NUMBER:



Listed by IAPMO® as meeting the applicable requirements of the Uniform Plumbing Code®, International Plumbing Code®, and National Plumbing Code of Canada.



Complies with ADA & ICC A117.1 accessibility requirements when installed according to the requirements outlined in these standards.