

Stainless Steel Sinks



Part #	Model #	Description (Size)	MAKE SELECTION BELOW
40/60 UNDERMOUNT SINK (32" x 20 3/4" x 9")			<input type="checkbox"/>
-	SSS4621329	UNDERMOUNT 40/60	<input type="checkbox"/>

Installation Type: Undermount

Material: 304 Stainless Steel

Gauge: 18

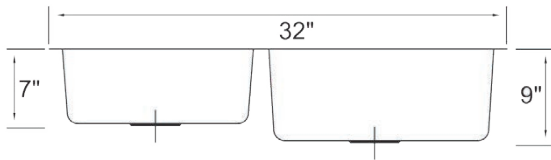
Number of Bowls: 2

Sink Dimenions: 32" x 20 3/4" x 9"

Drain Location: Center

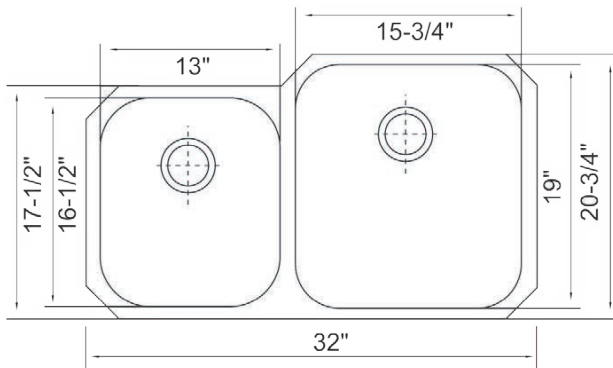
Cutout Template: N/A

Cutout Dimension: N/A



ADDITIONAL STAINLESS STEEL SINK DETAILS & INFORMATION

- One piece drawing, no welding and no center seam
- 304 Stainless Steel
- Meets UPC standards
- Sound deadening pads



JOB NAME:

JOB LOCATION:

CONTRACTOR:

DATE:

ENGINEER APPROVAL:

DATE:

ITEM TAG:

PART NUMBER:



Sinks are listed by IAPMO® as meeting the applicable requirements of the Uniform Plumbing Code®, International Plumbing Code®, and National Plumbing Code of Canada.