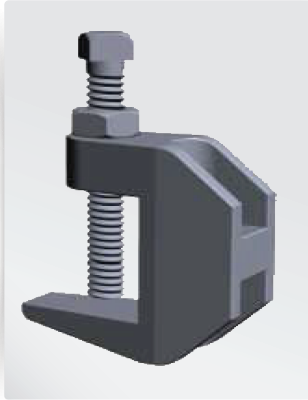


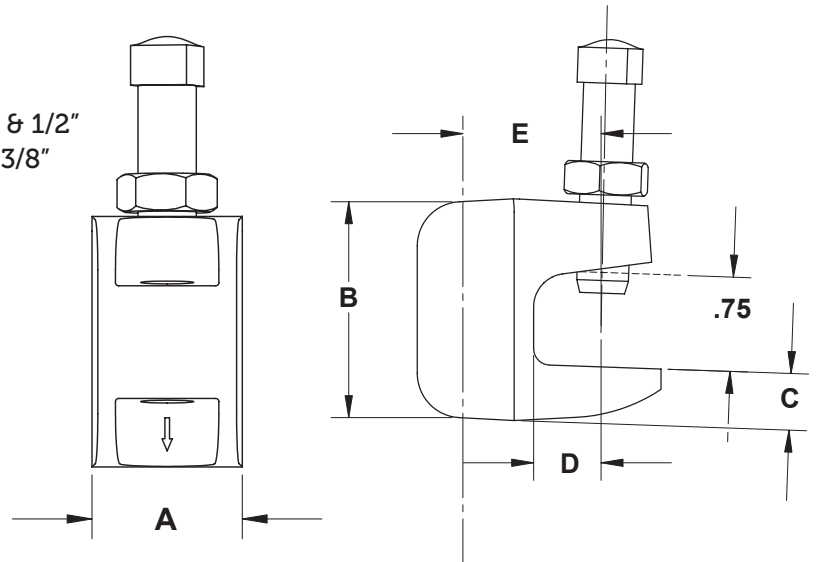
REVERSIBLE JR. BEAM CLAMPS



PART #	MODEL #	DESCRIPTION	INNER CARTON QTY	MASTER CARTON QTY	SELECT MODEL BELOW
PLAIN STEEL REVERSIBLE JR. BEAM CLAMPS					
H33100	HMRBC38B	3/8" Plain Reversible Jr. Beam Clamp	1	50	<input type="checkbox"/>
H33101	HMRBC12B	1/2" Plain Reversible Jr. Beam Clamp	1	50	<input type="checkbox"/>
H33102	HMRBC58B	5/8" Plain Reversible Jr. Beam Clamp	1	50	<input type="checkbox"/>



- UL Listed applies to 3/8" & 1/2"
- FM Approved applies to 3/8"



REVERSIBLE BEAM CLAMPS | Dimensions (IN.)

ROD SIZE	WEIGHT PER 100 PIECES	MAX REC. LOAD	A	B	C	D	E
3/8"	28	350#	.88	1.50	.31	.50	1.00
1/2"	34	470#	.88	1.50	.31	.50	1.00
5/8"	42	550#	1.12	1.75	.34	.63	1.37

SEE MSS SP-69 FOR PROPER SET SCREW RECOMMENDATIONS

FINISH: Plain Steel

MATERIAL: Ductile Iron

FEATURES: Complies with A-A-1192A (Type 19) and MSS SP-58 (Type 19).

JOB NAME: _____

JOB LOCATION: _____

CONTRACTOR: _____ DATE: _____

ENGINEER APPROVAL: _____ DATE: _____

ITEM TAG: _____

PART NUMBER: _____