

Stainless Steel Sinks



Part #	Model #	Description (Size)	MAKE SELECTION BELOW
SINGLE BOWL BAR SINK (15" x 15" x 6")			
H75000	HPBS15156	23 GAUGE 2 HOLE	<input type="checkbox"/>

Installation Type: Drop In

Material: 304 Stainless Steel

Gauge: 23

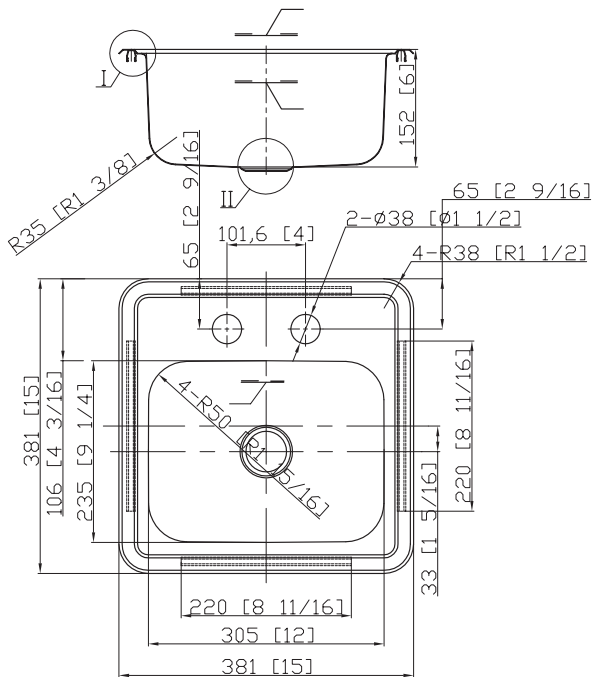
Number of Bowls: 1

Sink Dimenions: 15" x 15" x 6"

Drain Location: Center

Cutout Template: 2 Hole

Cutout Dimension: N/A



ADDITIONAL STAINLESS STEEL SINK DETAILS & INFORMATION

- One piece drawing, no welding and no center seam
- 304 Stainless Steel
- Meets UPC standards
- Sound deadening pads

JOB NAME:

JOB LOCATION:

CONTRACTOR:

DATE:

ENGINEER APPROVAL:

DATE:

ITEM TAG:

PART NUMBER:



Sinks are listed by IAPMO® as meeting the applicable requirements of the Uniform Plumbing Code®, International Plumbing Code®, and National Plumbing Code of Canada.

Stainless Steel Sinks



Part #	Model #	Description (Size)	MAKE SELECTION BELOW
SINGLE BOWL KITCHEN SINK (25" x 22" x 6")			
H75001	HPKS252263	23 GAUGE 3 HOLE	<input type="checkbox"/>
H75002	HPKS252264	23 GAUGE 4 HOLE	<input type="checkbox"/>

Installation Type: Drop In

Material: 304 Stainless Steel

Gauge: 23

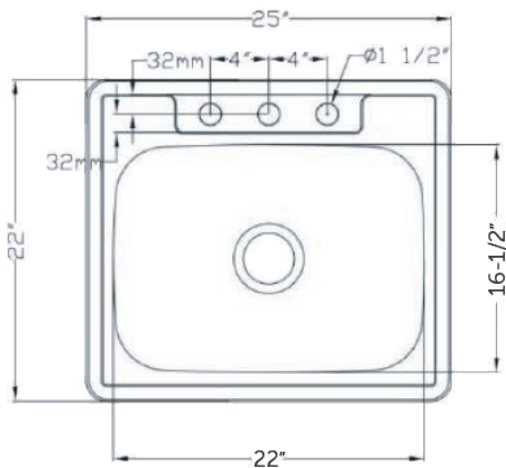
Number of Bowls: 1

Sink Dimenions: 25" x 22" x 6"

Drain Location: Center

Cutout Template: 3 HOLE | 4 HOLE

Cutout Dimension: N/A



ADDITIONAL STAINLESS STEEL SINK DETAILS & INFORMATION

- One piece drawing, no welding and no center seam
- 304 Stainless Steel
- Meets UPC standards
- Sound deadening pads

JOB NAME: _____

JOB LOCATION: _____

CONTRACTOR: _____

DATE: _____

ENGINEER APPROVAL: _____

DATE: _____

ITEM TAG: _____

PART NUMBER: _____



Sinks are listed by IAPMO® as meeting the applicable requirements of the Uniform Plumbing Code®, International Plumbing Code®, and National Plumbing Code of Canada.

Stainless Steel Sinks



Part #	Model #	Description (Size)	MAKE SELECTION BELOW
SINGLE BOWL KITCHEN SINK (25" x 22" x 8")			
H75003	HPKS252283	20 GAUGE 3 HOLE	<input type="checkbox"/>
H75004	HPKS252284	20 GAUGE 4 HOLE	<input type="checkbox"/>

Installation Type: Drop In

Material: 304 Stainless Steel

Gauge: 20

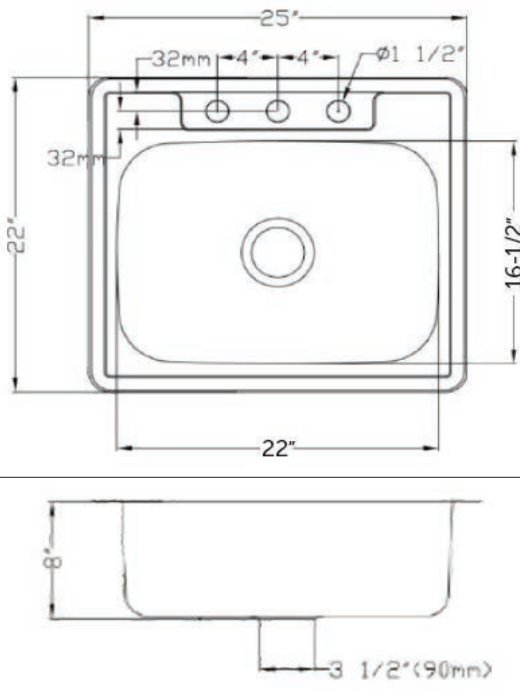
Number of Bowls: 1

Sink Dimenions: 25" x 22" x 8"

Drain Location: Center

Cutout Template: 3 HOLE | 4 HOLE

Cutout Dimension: N/A



ADDITIONAL STAINLESS STEEL SINK DETAILS & INFORMATION

- One piece drawing, no welding and no center seam
- 304 Stainless Steel
- Meets UPC standards
- Sound deadening pads

JOB NAME: _____

JOB LOCATION: _____

CONTRACTOR: _____

DATE: _____

ENGINEER APPROVAL: _____

DATE: _____

ITEM TAG: _____

PART NUMBER: _____



Sinks are listed by IAPMO® as meeting the applicable requirements of the Uniform Plumbing Code®, International Plumbing Code®, and National Plumbing Code of Canada.

Stainless Steel Sinks



Part #	Model #	Description (Size)	MAKE SELECTION BELOW
DOUBLE BOWL KITCHEN SINK (33" x 22" x 6")			
H75005	HPKS332263	23 GAUGE 3 HOLE	<input type="checkbox"/>
H75006	HPKS332264	23 GAUGE 4 HOLE	<input type="checkbox"/>

Installation Type: Drop In

Material: 304 Stainless Steel

Gauge: 23

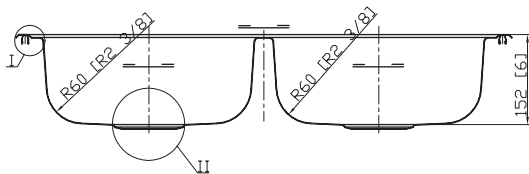
Number of Bowls: 2

Sink Dimensions: 33" x 22" x 6"

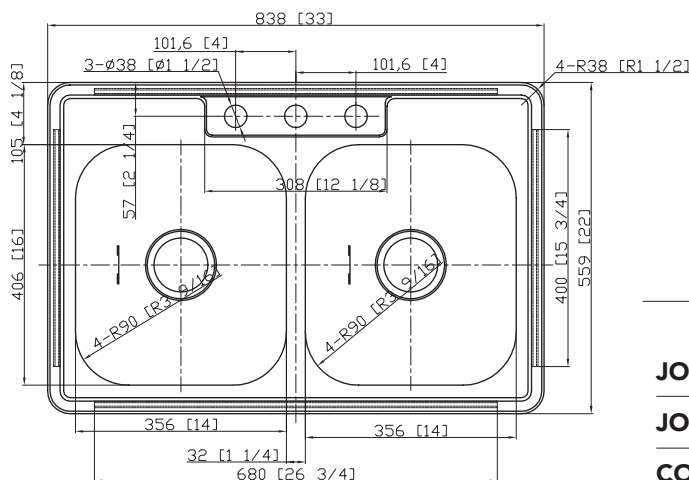
Drain Location: Center

Cutout Template: 3 HOLE | 4 HOLE

Cutout Dimension: N/A



ADDITIONAL STAINLESS STEEL SINK DETAILS & INFORMATION



- One piece drawing, no welding and no center seam
- 304 Stainless Steel
- Meets UPC standards
- Sound deadening pads

JOB NAME:

JOB LOCATION:

CONTRACTOR:

DATE:

ENGINEER APPROVAL:

DATE:

ITEM TAG:

PART NUMBER:



Sinks are listed by IAPMO® as meeting the applicable requirements of the Uniform Plumbing Code®, International Plumbing Code®, and National Plumbing Code of Canada.

Stainless Steel Sinks



Part #	Model #	Description (Size)	MAKE SELECTION BELOW
DOUBLE BOWL KITCHEN SINK (33" x 22" x 8")			
H75007	HPKS332283	20 GAUGE 3 HOLE	<input type="checkbox"/>
H75008	HPKS332284	20 GAUGE 4 HOLE	<input type="checkbox"/>

Installation Type: Drop In

Material: 304 Stainless Steel

Gauge: 20

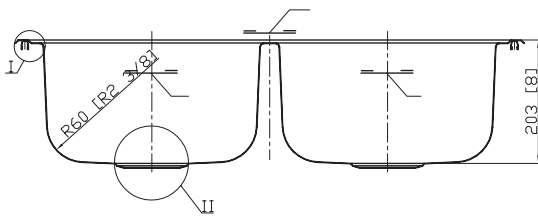
Number of Bowls: 2

Sink Dimenions: 33" x 22" x 8"

Drain Location: Center

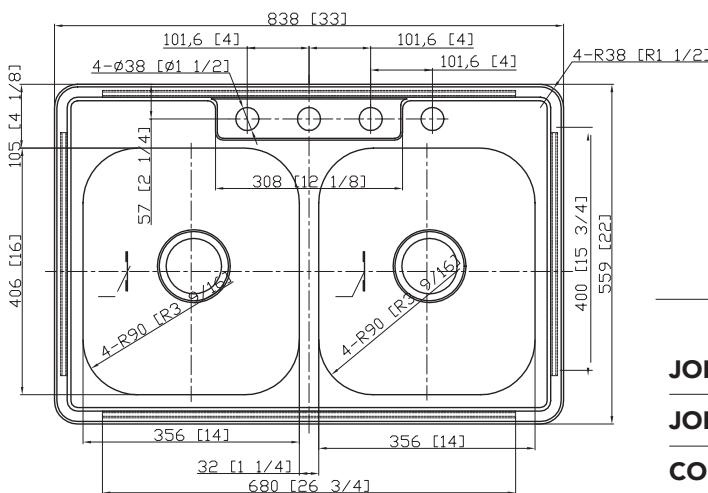
Cutout Template: 3 HOLE | 4 HOLE

Cutout Dimension: N/A



ADDITIONAL STAINLESS STEEL SINK DETAILS & INFORMATION

- One piece drawing, no welding and no center seam
- 304 Stainless Steel
- Meets UPC standards
- Sound deadening pads



JOB NAME:

JOB LOCATION:

CONTRACTOR:

DATE:

ENGINEER APPROVAL:

DATE:

ITEM TAG:

PART NUMBER:



Sinks are listed by IAPMO® as meeting the applicable requirements of the Uniform Plumbing Code®, International Plumbing Code®, and National Plumbing Code of Canada.

Stainless Steel Sinks



Part #	Model #	Description (Size)	MAKE SELECTION BELOW
DOUBLE BOWL ADA KITCHEN SINK (33" x 22" x 5")			
H75009	HPAKS332253	23 GAUGE 3 HOLE	<input type="checkbox"/>
H75010	HPAKS332254	23 GAUGE 4 HOLE	<input type="checkbox"/>

Installation Type: Drop In

Material: 304 Stainless Steel

Gauge: 23

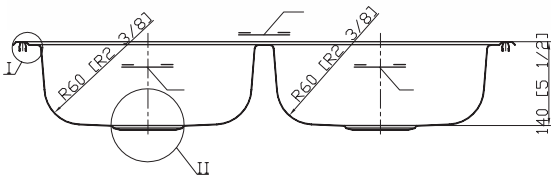
Number of Bowls: 2

Sink Dimensions: 33" x 22" x 5"

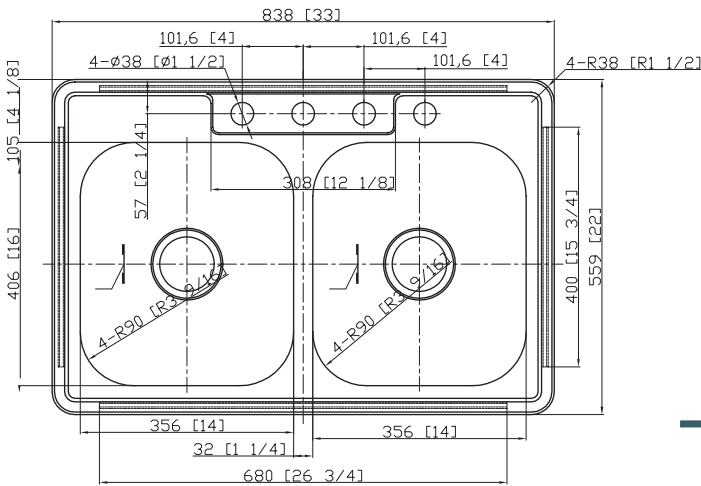
Drain Location: Center

Cutout Template: 3 HOLE | 4 HOLE

Cutout Dimension: 32 3/8" x 21 3/8"



SPACIAL CONSIDERATIONS & REQUIREMENTS



OPEN SPACE

KNEE: Min. 27" from floor and 8" from countertop front edge. Slope 1" depth max. per 6" height.

TOE: Min. 9" from floor and 17" min. from countertop front edge. Slope 1" depth max. per 6" height.

FLOOR: 30" min. width.



JOB NAME:

JOB LOCATION:

CONTRACTOR:

DATE:

ENGINEER APPROVAL:

DATE:

ITEM TAG:

PART NUMBER:



Complies with ADA & ICC A117.1 accessibility requirements when installed according to the requirements outlined in these standards.



Sinks are listed by IAPMO® as meeting the applicable requirements of the Uniform Plumbing Code®, International Plumbing Code®, and National Plumbing Code of Canada.

Stainless Steel Sinks



Part #	Model #	Description (Size)	MAKE SELECTION BELOW
SINGLE BOWL KITCHEN SINK (25" x 22" x 5 1/2")			
H75011	HPAKS252253	22 GAUGE 3 HOLE	<input type="checkbox"/>
H75012	HPAKS252254	22 GAUGE 4 HOLE	<input type="checkbox"/>

Installation Type: Drop In

Material: 304 Stainless Steel

Gauge: 22

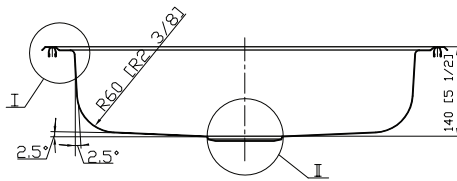
Number of Bowls: 1

Sink Dimenions: 25" x 22" x 5 1/2"

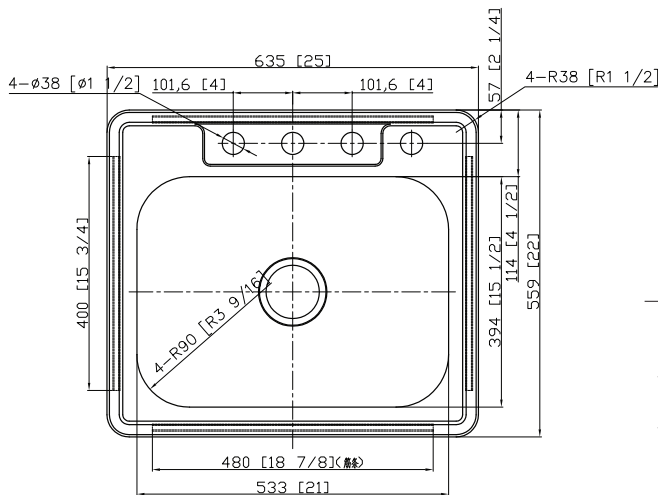
Drain Location: Center

Cutout Template: 3 HOLE | 4 HOLE

Cutout Dimension: N/A



ADDITIONAL STAINLESS STEEL SINK DETAILS & INFORMATION



- One piece drawing, no welding and no center seam
- 304 Stainless Steel
- Meets UPC standards
- Sound deadening pads

JOB NAME:

JOB LOCATION:

CONTRACTOR:

DATE:

ENGINEER APPROVAL:

DATE:

ITEM TAG:

PART NUMBER:



Sinks are listed by IAPMO® as meeting the applicable requirements of the Uniform Plumbing Code®, International Plumbing Code®, and National Plumbing Code of Canada.