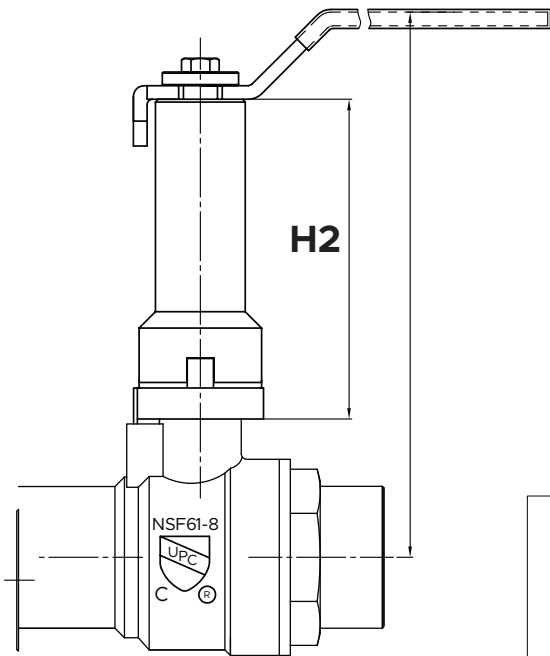


## EXTENSION HANDLE FOR IBVT600 & IBVS600 BALL VALVES



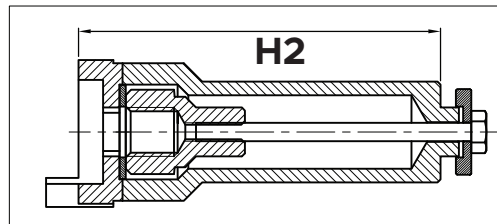
Part #	Model #	Description (Size)	Inner Carton Qty	Master Carton Qty	Select Model Below
<b>EXTENSION HANDLE FOR IBVT600 &amp; IBVS600 BALL VALVES</b>					
H50061	HPBVEH1	FITS 1/2" IBVT600/IBVS600 BALL VALVE	10	100	<input type="checkbox"/>
H50062	HPBVEH2	FITS 3/4" IBVT600/IBVS600 BALL VALVE	10	100	<input type="checkbox"/>
H50063	HPBVEH3	FITS 1" IBVT600/IBVS600 BALL VALVE	5	50	<input type="checkbox"/>
H50064	HPBVEH4	FITS 1-1/4" IBVT600/IBVS600 BALL VALVE	5	50	<input type="checkbox"/>
H50071	HPBVEH5	FITS 1-1/2" IBVT600/IBVS600 BALL VALVE	5	20	<input type="checkbox"/>
H50072	HPBVEH6	FITS 2" IBVT600/IBVS600 BALL VALVE	5	20	<input type="checkbox"/>



SIZE	H2
1/2"	2.33"
3/4"	2.33"
1"	2.35"
1-1/4"	2.35"
1-1/2"	2.52"
2"	2.52"

- Allows for Easy Installation
- Fits IBVT600 & IBVS600 Ball Valves
- Handle Not Included
- Must Use Original Ball Valve Handle
- **Material:** Lead Free Brass\*

\* Lead-Free refers to the wetted surface of pipe, fittings and fixtures in potable water systems that have a weighted average lead content  $\leq 0.25\%$  per the Safe Drinking Water Act (Sec. 1417) ammended 1-4-2011 and other equivalent state regulations.



JOB NAME:

JOB LOCATION:

CONTRACTOR:

ENGINEER APPROVAL:

DATE:

DATE:

ITEM TAG:

PART NUMBER: