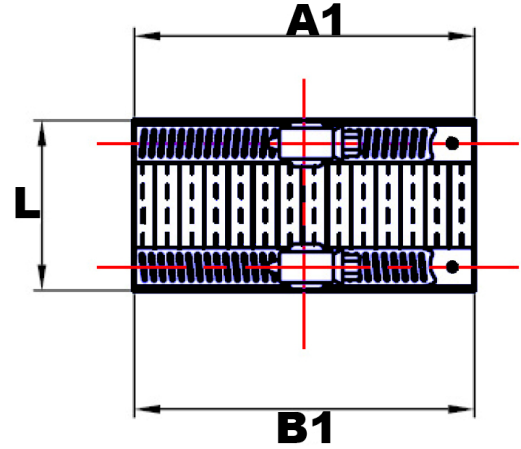
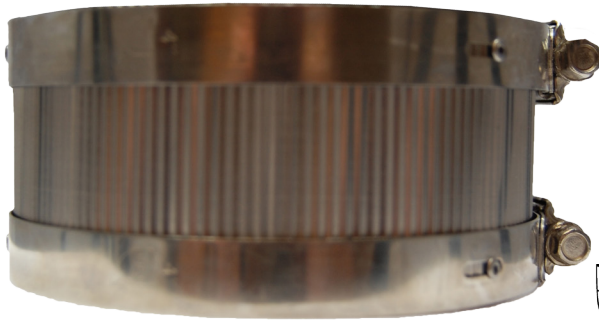
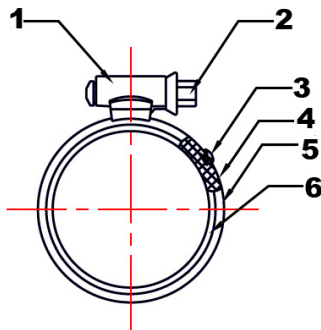


No Hub Couplings

- Meets ASTM C1173-10el
- 301 Stainless steel clamps
- 60 lb Torque rating
- UPC Approved



ITEM #	DESCRIPTION	INNER CARTON QTY	MASTER CARTON QTY	SS CLAMPS	A1	B1	L
NO HUB COUPLING							
HPNHC112	1-1/2" X 1-1/2"	1	160	2	1-57/64"	1-57/64"	2-1/8"
HPNHC2	2" X 2"	1	100	2	2-9/32"	2-9/32"	2-1/8"
HPNHC2112	2" X 1-1/2"	1	100	2	2-9/32"	1-57/64"	2-1/8"
HPNHC3	3" X 3"	1	100	2	3-5/16"	3-5/16"	2-1/8"
HPNHC4	4" X 4"	1	100	2	4-3/8"	4-3/8"	2-1/8"
HPNHC5	5" X 5"	1	45	4	5-1/4"	5-1/4"	3-5/32"
HPNHC6	6" X 6"	1	45	4	6-1/4"	6-1/4"	3-5/32"
HPNHC8	8" X 8"	1	20	4	8-11/32"	8-11/32"	3-5/32"
HPNHC10	10" X 10"	1	20	4	10-1/2"	10-1/2"	3-5/32"



NO.	PART	MATERIAL	STANDARD
1	Housing	301 Stainless Steel	ASTM C1277-03
2	Screw	301 Stainless Steel	ASTM C1277-03
3	Rivet	301 Stainless Steel	ASTM C1277-03
4	Band	301 Stainless Steel	ASTM C1277-03
5	Shield	301 Stainless Steel	ASTM C1277-03
6	Gasket	Neoprene	ASTM C564

HYDRAPRO INC.
 Phone: 877-813-2333; Fax 877-249-8435
 Atlanta - Boston - Dallas - Pompano Beach - Houston - Philadelphia
www.hydrapro.biz