

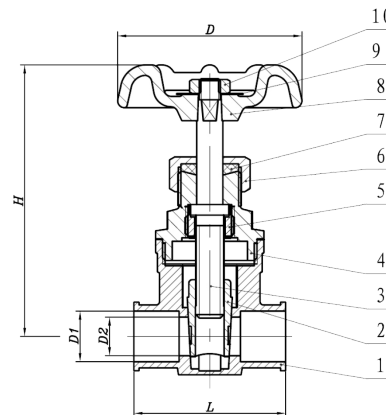
Large Diameter Gate Valves

- Brass Body
- Sweat connection
- Non rising stem
- 200 PSI / WOG
- **VALVES ARE NOT LEAD FREE!**



ITEM #	DESCRIPTION	D	H	L	D1	D2
HPVSG212	2-1/2"	Ø3.819	5.945	4.409	2.63	2.205
HPVSG3	3"	Ø4.25	6.732	4.921	3.13	2.598

NO.	PART	MATERIAL
1	Body	Brass
2	Disc	Brass
3	Stem	Brass
4	Bonnet	Brass
5	Lock Nut	Brass
6	Nut	Brass
7	Gland Packing	PTFE
8	Hand Wheel	Cast Iron
9	Name Plate	Aluminum
10	Nut	Q235 Steel



HYDRAPRO INC.

Phone: 877-813-2333; Fax 877-249-8435

Atlanta - Boston - Dallas - Pompano Beach - Houston - Philadelphia

www.hydrapro.biz

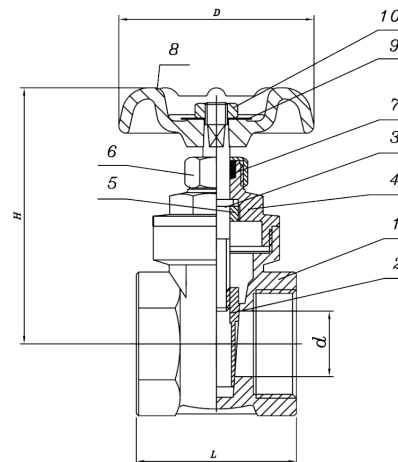
Large Diameter Gate Valves

- Brass Body
- IPS connection
- Non rising stem
- 200 PSI / WOG
- **VALVES ARE NOT LEAD FREE!**



ITEM #	DESCRIPTION	D	H	L	d
HPVTG212	2-1/2"	Ø3.819	5.945	3.307	2.205
HPVTG3	3"	Ø4.252	6.732	3.701	2.736
HPVTG4	4"	Ø4.961	8.189	3.976	3.386

NO.	PART	MATERIAL
1	Body	Brass
2	Disc	Brass
3	Stem	Brass
4	Bonnet	Brass
5	Lock Nut	Brass
6	Nut	Brass
7	Gland Packing	PTFE
8	Hand Wheel	Cast Iron
9	Name Plate	Aluminum
10	Nut	Q235 Steel



HYDRAPRO INC.

Phone: 877-813-2333; Fax 877-249-8435

Atlanta - Boston - Dallas - Pompano Beach - Houston - Philadelphia

www.hydrapro.biz