

## Stainless Steel Sinks



Part #	Model #	Description (Size)	MAKE SELECTION BELOW
<b>DOUBLE BOWL KITCHEN SINK (33" x 22" x 6")</b>			
H75005	HPKS332263	23 GAUGE 3 HOLE	<input type="checkbox"/>
H75006	HPKS332264	23 GAUGE 4 HOLE	<input type="checkbox"/>

**Installation Type:** Drop In

**Material:** 301 Stainless Steel

**Gauge:** 23

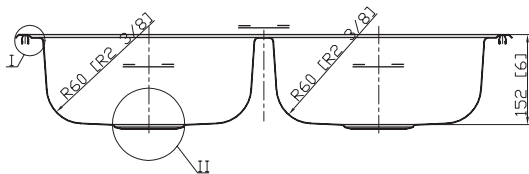
**Number of Bowls:** 2

**Sink Dimenions:** 33" x 22" x 6"

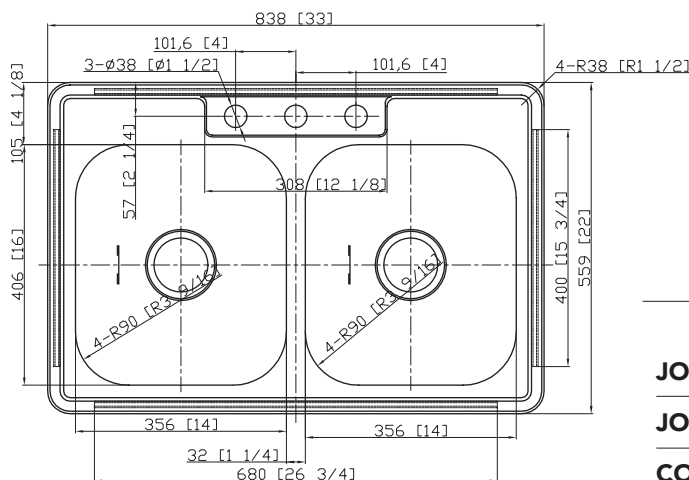
**Drain Location:** Center

**Cutout Template:** 3 HOLE | 4 HOLE

**Cutout Dimension:** N/A



### ADDITIONAL STAINLESS STEEL SINK DETAILS & INFORMATION



- One piece drawing, no welding and no center seam
- 301 Stainless Steel
- Meets UPC standards
- Sound deadening pads

**JOB NAME:**

**JOB LOCATION:**

**CONTRACTOR:**

**DATE:**

**ENGINEER APPROVAL:**

**DATE:**

**ITEM TAG:**

**PART NUMBER:**



Sinks are listed by IAPMO® as meeting the applicable requirements of the Uniform Plumbing Code®, International Plumbing Code®, and National Plumbing Code of Canada.