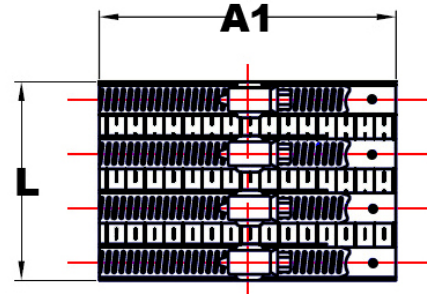
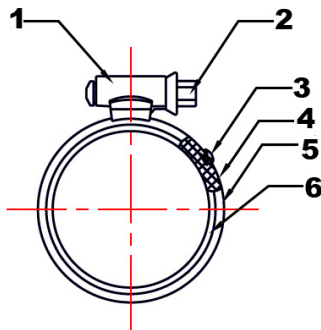


Heavy Duty No Hub Couplings

- Meets ASTM C1173-10el
- 301 Stainless steel clamps
- 80 lb Torque rating
- UPC Approved



ITEM #	DESCRIPTION	INNER CARTON QTY	MASTER CARTON QTY	SS CLAMPS	A1	L
NO HUB COUPLING						
HPNHCHD2	2" X 2"	1	100	4	2-9/32"	2-1/8"
HPNHCHD3	3" X 3"	1	100	4	3-5/16"	2-1/8"
HPNHCHD4	4" X 4"	1	100	4	4-3/8"	2-1/8"
HPNHCHD5	5" X 5"	1	30	6	5-9/32"	3-5/32"
HPNHCHD6	6" X 6"	1	30	6	6-17/64"	3-5/32"
HPNHCHD8	8" X 8"	1	20	6	8-11/32"	3-5/32"
HPNHCHD10	10" X 10" (W/ 6 SS Clamps)	1	16	6	10-1/2"	3-5/32"



NO.	PART	MATERIAL	STANDARD
1	Housing	301 Stainless Steel	ASTM C1277-03
2	Screw	301 Stainless Steel	ASTM C1277-03
3	Rivet	301 Stainless Steel	ASTM C1277-03
4	Band	301 Stainless Steel	ASTM C1277-03
5	Shield	301 Stainless Steel	ASTM C1277-03
6	Gasket	Neoprene	ASTM C564

HYDRAPRO INC.

Phone: 877-813-2333; Fax 877-249-8435

Atlanta - Boston - Dallas - Deerfield Beach - Houston - Philadelphia

www.hydrapro.biz