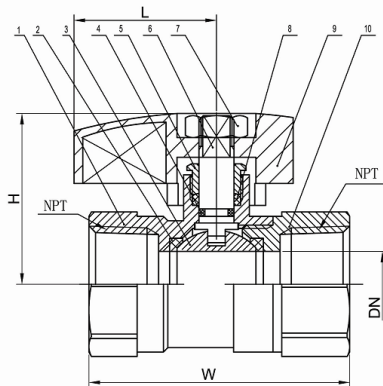


## Gas Ball Valves

- Certified operating pressure of .5, 2, 5, and 125 psig
- 2 Piece construction
- Lever Handle
- CSA Approved
- UL Approved



ITEM #	DESCRIPTION	DN	W (REF)	H (REF)	L (REF)	BTU/ Hr
<b>FIP X FIP</b>						
GBV12PP	1/2" X 1/2"	.394	2.087	1.378	1.28	162,118
GBV34PP	3/4" X 3/4"	.590	2.244	1.575	1.28	437,139
GBV1PP	1" X 1"	.748	2.874	1.772	1.28	685,097



NO.	ITEM	TOTAL	MATERIAL
1	BALL VALVE BODY	1	BRASS C37700
2	SEALING WASHER	2	PTFE
3	BALL	1	BRASS C37700
4	O-RING	1	NBR
5	PACKING NUT	1	BRASS C37700
6	STEM	1	BRASS C37700
7	HANDLE NUT	1	PLATED STEEL
8	PACKING	1	PTFE
9	HANDLE	1	AL-ALLOY
10	BALL VALVE CAP	1	BRASS 37700

**HYDRAPRO INC.**

Phone: 877-813-2333; Fax 877-249-8435

Atlanta - Boston - Dallas - Deerfield Beach - Houston - Philadelphia

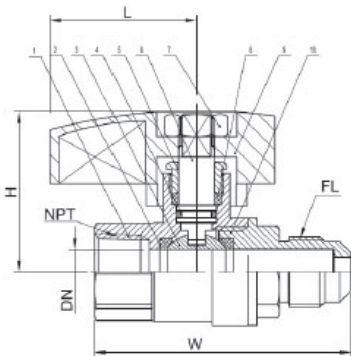
www.hydrapro.biz

## Gas Ball Valves

- Certified operating pressure of .5, 2, 5, and 125 psig
- 2 Piece construction
- Lever Handle
- CSA Approved
- UL Approved



ITEM #	DESCRIPTION	DN	W (REF)	H (REF)	L (REF)	BTU/Hr
<b>FIP X FLARE</b>						
GBV32FP	1/2" X 3/8"	.394	2.38	1.44	1.28	58,257
GBV22FP	1/2" X 1/2"	.394	2.52	1.44	1.28	162,118



NO.	ITEM	TOTAL	MATERIAL
1	BALL VALVE BODY	1	BRASS C37700
2	SEALING WASHER	2	PTFE
3	BALL	1	BRASS C37700
4	O-RING	1	NBR
5	PACKING NUT	1	BRASS C37700
6	STEM	1	BRASS C37700
7	HANDLE NUT	1	PLATED STEEL
8	PACKING	1	PTFE
9	HANDLE	1	AL-ALLOY
10	BALL VALVE CAP	1	BRASS 37700

**HYDRAPRO INC.**

Phone: 877-813-2333; Fax 877-249-8435

Atlanta - Boston - Dallas - Deerfield Beach - Houston - Philadelphia

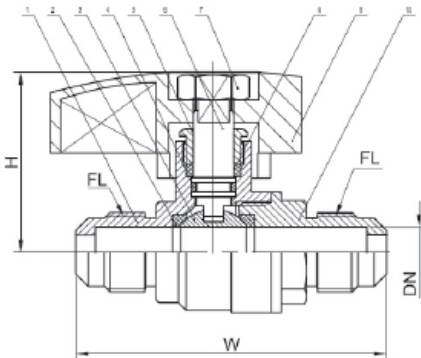
[www.hydrapro.biz](http://www.hydrapro.biz)

## Gas Ball Valves

- Certified operating pressure of .5, 2, 5, and 125 psig
- 2 Piece construction
- Lever Handle
- CSA Approved
- UL Approved



ITEM #	DESCRIPTION	DN	W (REF)	H (REF)	L (REF)	BTU/ Hr
<b>FLARE X FLARE</b>						
GBV33FF	3/8" X 3/8"	.394	2.28	1.44	1.28	58,257
GBV22FF	1/2" X 1/2"	.394	2.70	1.44	1.28	162,118



NO.	ITEM	TOTAL	MATERIAL
1	BALL VALVE BODY	1	BRASS C37700
2	SEALING WASHER	2	PTFE
3	BALL	1	BRASS C37700
4	O-RING	1	NBR
5	PACKING NUT	1	BRASS C37700
6	STEM	1	BRASS C37700
7	HANDLE NUT	1	PLATED STEEL
8	PACKING	1	PTFE
9	HANDLE	1	AL-ALLOY
10	BALL VALVE CAP	1	BRASS 37700

**HYDRAPRO INC.**

Phone: 877-813-2333; Fax 877-249-8435

Atlanta - Boston - Dallas - Deerfield Beach - Houston - Philadelphia

[www.hydrapro.biz](http://www.hydrapro.biz)