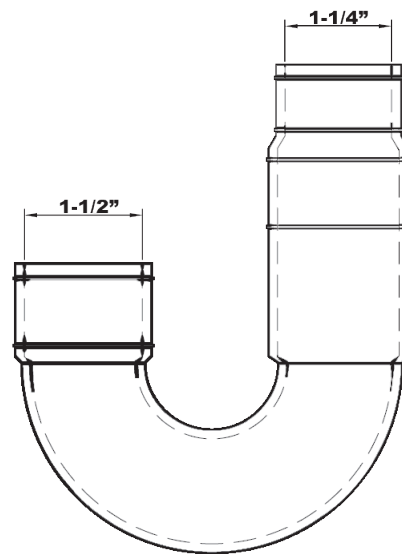


### Flexible J Trap

- Meets ASTM C1173-10e1
- 301 Stainless steel clamps
- UPC Approved



ITEM #	DESCRIPTION	INNER CARTON QTY	MASTER CARTON QTY
HPFJT	1-1/4" or 1-1/2"	1	36



HYDRAPRO INC.

Phone: 877-813-2333; Fax 877-249-8435

Atlanta - Boston - Dallas - Deerfield Beach - Houston - Philadelphia

[www.hydrapro.biz](http://www.hydrapro.biz)