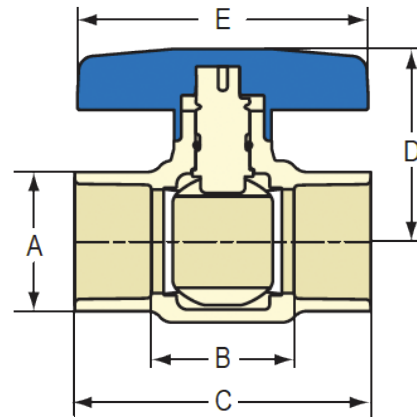


CPVC Ball Valves

- CPVC
- Full port
- Max working pressure 100 PSI @ 180° F
- Blue handle
- Lead Free

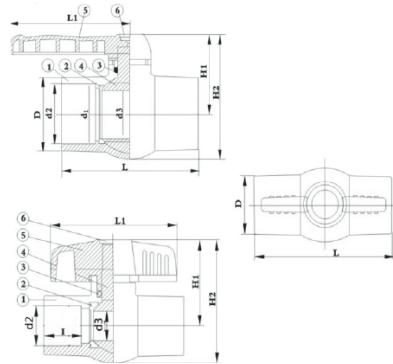


ITEM #	DESCRIPTION	A	B	C	D	E	APPROX. WT. (LBS)
STDSW4712	1/2"	13/16	1	2-1/32	1-9/32	2-1/32	0.09
STDSW4734	3/4"	1-3/32	1-1/4	2-23/32	1-23/32	2-23/32	0.15
STDSW471	1"	1-3/8	1-9/16	3-3/8	2-5/16	3-1/2	0.27
STDSW47114	1-1/4"	1-21/32	1-9/16	3-13/16	2-3/8	3-1/2	0.47
STDSW47112	1-1/2"	1-31/32	1-15/16	4-9/16	2-13/16	3-3/4	0.53
STDSW472	2"	2-9/16	2-3/8	5-13/16	3-5/32	4-9/32	1.38

*Lead Free refers to the wetted surface of pipe, fittings and fixtures in potable water systems that have a weighted average lead content ≤ 0.25% per the Safe Drinking Water Act (Sec. 1417) amended 1-4-2011 and other equivalent state regulations.

PVC BALL VALVES

- Sch. 40
- EPDM Seats and O-rings
- Impact resistant
- Blue handle
- Working pressure 150 psi
- Valves ARE NOT NSF approved



SOLVENT WELD

ITEM #	SIZE	d2	d3	D	L	L1	I	H1	H2
SW4012	1/2" X 1/2"	0.834	0.591	1.181	2.756	2.748	0.740	1.661	2.370
SW4034	3/4" X 3/4"	1.050	0.787	1.421	3.299	3.008	0.969	2.031	2.874
SW401	1" X 1"	1.310	0.984	1.717	3.835	3.543	1.102	2.295	3.331
SW40114	1-1/4" X 1-1/4"	1.660	1.220	2.051	4.205	4.016	1.134	2.465	3.685
SW40112	1-1/2" X 1-1/2"	1.900	1.417	2.283	4.783	4.331	1.276	2.894	4.291
SW402	2" X 2"	2.370	1.772	2.827	5.457	5.157	1.394	3.287	4.980
SW40212	2-1/2" X 2-1/2"	2.870	2.362	3.555	6.969	6.299	1.701	3.898	6.102
SW403	3" X 3"	3.500	2.874	4.252	9.583	6.929	2.717	4.567	7.323
SW404	4" X 4"	4.500	3.268	5.295	11.26	7.047	3.118	5.354	8.740

NO.	PART	MATERIAL	QTY
1	BODY	U-PVC	1
2	SEAT SEAL	TPE	2
3	STEM O-RING	NBR	1
4	BALL	PP	1
5	HANDLE	PP	1
6	CAP	PP	1

HYDRAPRO INC.

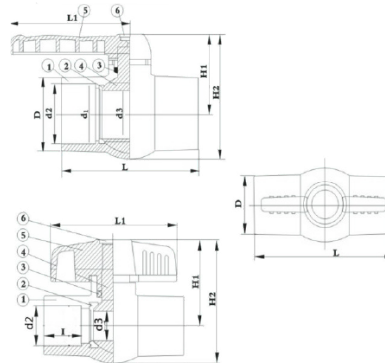
Phone: 877-813-2333; Fax 877-249-8435

Atlanta - Boston - Dallas - Deerfield Beach - Houston - Philadelphia

www.hydrapro.biz

PVC BALL VALVES

- Sch. 40
- EPDM Seats and O-rings
- Impact resistant
- Blue handle
- Working pressure 150 psi
- Valves ARE NOT NSF approved


THREADED

ITEM #	SIZE	d2	d3	D	L	L1	I	H1	H2
SW4012	1/2" X 1/2"	0.551	0.591	1.146	2.756	2.748	0.740	1.661	2.37
SW4034	3/4" X 3/4"	0.551	0.787	1.354	3.299	3.008	0.969	2.031	2.874
SW401	1" X 1"	0.453	0.984	1.665	3.835	3.543	1.102	2.295	3.331
SW40114	1-1/4" X 1-1/4"	0.453	1.220	1.972	4.205	4.016	1.134	2.465	3.685
SW40112	1-1/2" X 1-1/2"	0.453	1.417	2.291	4.783	4.331	1.276	2.894	4.291
SW402	2" X 2"	0.453	1.772	2.815	5.457	5.157	1.394	3.287	4.980

NO.	PART	MATERIAL	QTY
1	BODY	U-PVC	1
2	SEAT SEAL	TPE	2
3	STEM O-RING	NBR	1
4	BALL	PP	1
5	HANDLE	PP	1
6	CAP	PP	1

HYDRAPRO INC.

Phone: 877-813-2333; Fax 877-249-8435

Atlanta - Boston - Dallas - Deerfield Beach - Houston - Philadelphia

www.hydrapro.biz