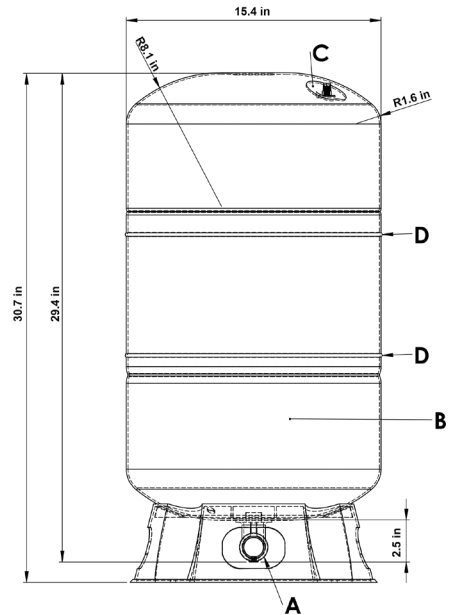


Well Tanks - 20 Gallon

- Carbon Steel Shell
- System Connection: 304 Stainless Steel
- Heavy Duty Powder Coated Finish
- Butyl Rubber Diaphragm
- Food Grade Polypropylene Liner
- Pre-Charge: 35 PSI
- Max. Pressure: 150 PSI
- Max. Temperature: 200°F



A	1" STAINLESS STEEL CONNECTION 304
B	BUTYL RUBBER DIAPHRAGM
C	AIR VALVE
D	WELD AREA (2)

PART#	MODEL#	UPC/A	VOLUME			SYS. CON- NECTION (FNPT)	BASE	WEIGHT (LB)	ACCEP- TANCE VOLUME (GAL)
			(GAL)	HEIGHT	DIAMETER				
H10010	HPWT20	191591100108	20	32"	15"	1"	Plastic	32	11.8

HYDRAPRO INC.

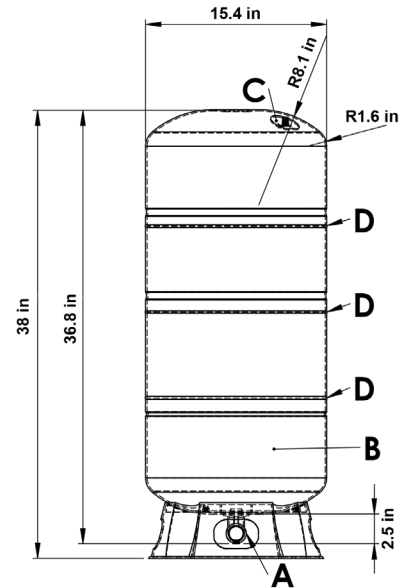
Phone: 877-813-2333; Fax 877-249-8435

Atlanta - Boston - Dallas - Pompano Beach - Houston - Philadelphia

www.hydrapro.biz

Well Tanks - 28 Gallon

- Carbon Steel Shell
- System Connection: 304 Stainless Steel
- Heavy Duty Powder Coated Finish
- Butyl Rubber Diaphragm
- Food Grade Polypropylene Liner
- Pre-Charge: 35 PSI
- Max. Pressure: 150 PSI
- Max. Temperature: 200°F



A	1" STAINLESS STEEL CONNECTION 304
B	BUTYL RUBBER DIAPHRAGM
C	AIR VALVE
D	WELD AREA (3)

PART#	MODEL#	UPC/A	VOLUME (GAL)	HEIGHT	DIAMETER	SYS. CONNECTION (FNPT)	BASE	WEIGHT (LB)	ACCEPTANCE VOLUME (GAL)
H10011	HPWT28	191591100115	28	38.5"	15"	1"	Plastic	40	11.6

HYDRAPRO INC.

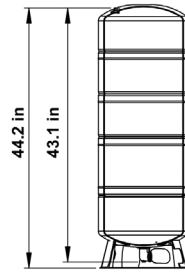
Phone: 877-813-2333; Fax 877-249-8435

Atlanta - Boston - Dallas - Pompano Beach - Houston - Philadelphia

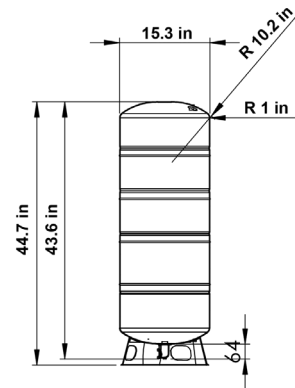
www.hydrapro.biz

Well Tanks - 32 Gallon (Tall)

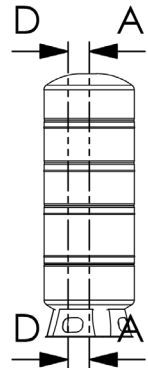
- Carbon Steel Shell
- System Connection: 304 Stainless Steel
- Heavy Duty Powder Coated Finish
- Butyl Rubber Diaphragm
- Food Grade Polypropylene Liner
- Pre-Charge: 35 PSI
- Max. Pressure: 150 PSI
- Max. Temperature: 200°F



Cut View
D-D



Cut View
A-A



PART#	MODEL#	UPC/A	VOLUME			SYS. CON- NECTION (FNPT)	BASE	WEIGHT (LB)	ACCEP- TANCE VOLUME (GAL)
			(GAL)	HEIGHT	DIAMETER				
H10012	HPWT32T	191591100122	32 (Tall)	48.5"	15"	1"	Plastic	49	11.2

HYDRAPRO INC.

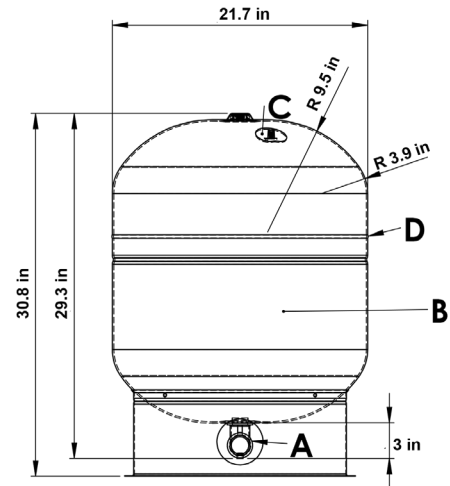
Phone: 877-813-2333; Fax 877-249-8435

Atlanta - Boston - Dallas - Pompano Beach - Houston - Philadelphia

www.hydrapro.biz

Well Tanks - 32 Gallon

- Carbon Steel Shell
- System Connection: 304 Stainless Steel
- Heavy Duty Powder Coated Finish
- Butyl Rubber Diaphragm
- Food Grade Polypropylene Liner
- Pre-Charge: 35 PSI
- Max. Pressure: 150 PSI
- Max. Temperature: 200°F



A	1-1/4" STAINLESS STEEL CONNECTION 304
B	BUTYL RUBBER DIAPHRAGM
C	AIR VALVE
D	WELD AREA (1)

PART#	MODEL#	UPC/A	VOLUME (GAL)	HEIGHT	DIAMETER	SYS. CONNECTION (FNPT)	BASE	WEIGHT (LB)	ACCEPTANCE VOLUME (GAL)
H10013	HPWT32	191591100139	32	30.5"	22"	1-1/4"	Steel	52	32

HYDRAPRO INC.

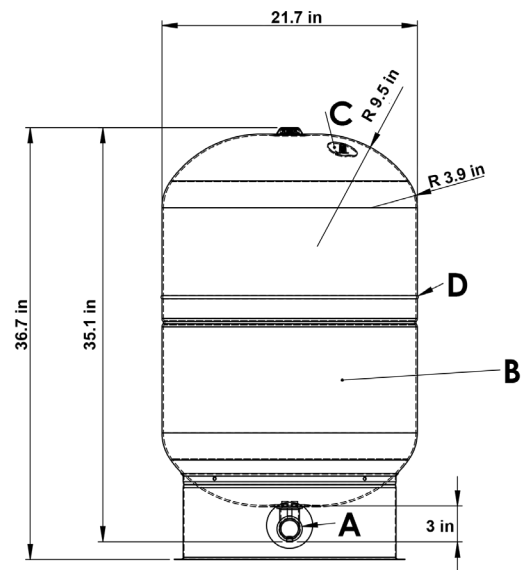
Phone: 877-813-2333; Fax 877-249-8435

Atlanta - Boston - Dallas - Pompano Beach - Houston - Philadelphia

www.hydrapro.biz

Well Tanks - 44 Gallon

- Carbon Steel Shell
- System Connection: 304 Stainless Steel
- Heavy Duty Powder Coated Finish
- Butyl Rubber Diaphragm
- Food Grade Polypropylene Liner
- Pre-Charge: 35 PSI
- Max. Pressure: 150 PSI
- Max. Temperature: 200°F



A	1-1/4" STAINLESS STEEL CONNECTION 304
B	BUTYL RUBBER DIAPHRAGM
C	AIR VALVE
D	WELD AREA (1)

PART#	MODEL#	UPC/A	VOLUME (GAL)	HEIGHT	DIAMETER	SYS. CONNECTION (FNPT)	BASE	WEIGHT (LB)	ACCEPTANCE VOLUME (GAL)
H10014	HPWT44	191591100146	44	36.5"	22"	1-1/4"	Steel	60	33.8

HYDRAPRO INC.

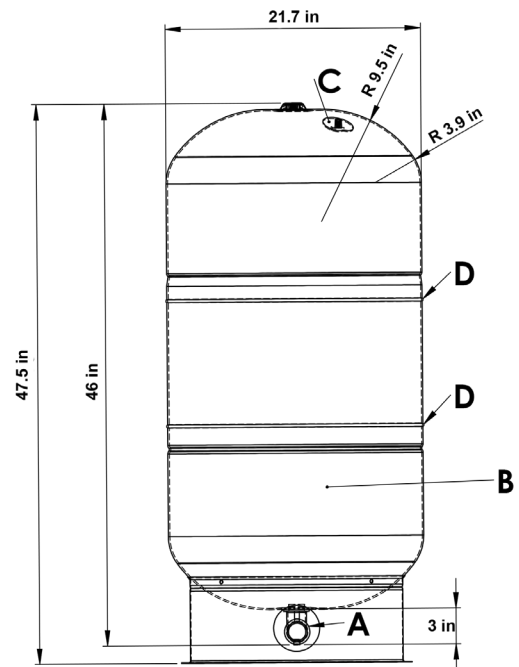
Phone: 877-813-2333; Fax 877-249-8435

Atlanta - Boston - Dallas - Pompano Beach - Houston - Philadelphia

www.hydrapro.biz

Well Tanks - 62 Gallon

- Carbon Steel Shell
- System Connection: 304 Stainless Steel
- Heavy Duty Powder Coated Finish
- Butyl Rubber Diaphragm
- Food Grade Polypropylene Liner
- Pre-Charge: 35 PSI
- Max. Pressure: 150 PSI
- Max. Temperature: 200°F



A	1-1/4" STAINLESS STEEL CONNECTION 304
B	BUTYL RUBBER DIAPHRAGM
C	AIR VALVE
D	WELD AREA (2)

PART#	MODEL#	UPC/A	VOLUME (GAL)	HEIGHT	DIAMETER	SYS. CONNECTION (FNPT)	BASE	WEIGHT (LB)	ACCEPTANCE VOLUME (GAL)
H10015	HPWT62	191591100153	62	48"	22"	1-1/4"	Steel	79	34.1

HYDRAPRO INC.

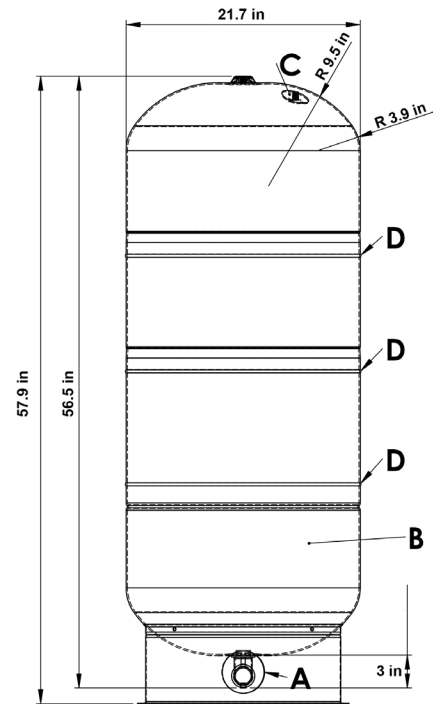
Phone: 877-813-2333; Fax 877-249-8435

Atlanta - Boston - Dallas - Pompano Beach - Houston - Philadelphia

www.hydrapro.biz

Well Tanks - 81 Gallon

- Carbon Steel Shell
- System Connection: 304 Stainless Steel
- Heavy Duty Powder Coated Finish
- Butyl Rubber Diaphragm
- Food Grade Polypropylene Liner
- Pre-Charge: 35 PSI
- Max. Pressure: 150 PSI
- Max. Temperature: 200°F



A	1-1/4" STAINLESS STEEL CONNECTION 304
B	BUTYL RUBBER DIAPHRAGM
C	AIR VALVE
D	WELD AREA (3)

PART#	MODEL#	UPC/A	VOLUME (GAL)	HEIGHT	DIAMETER	SYS. CON- NECTION (FNPT)	BASE	WEIGHT (LB)	ACCEP- TANCE
									VOLUME (GAL)
H10016	HPWT81	191591100160	81	58"	22"	1-1/4"	Steel	100	33

HYDRAPRO INC.

Phone: 877-813-2333; Fax 877-249-8435

Atlanta - Boston - Dallas - Pompano Beach - Houston - Philadelphia

www.hydrapro.biz