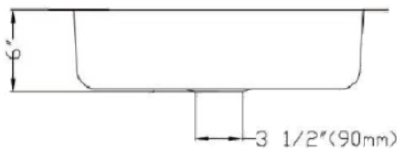
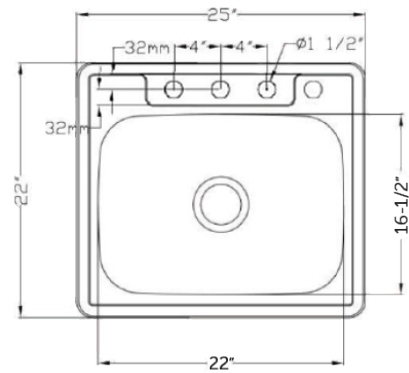
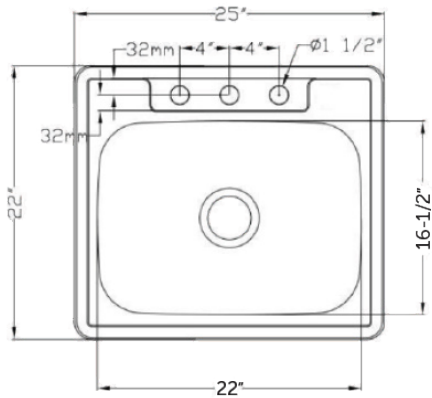


Stainless Steel Sinks

- One piece drawing, no welding and no center seam.
- Sound deadening pads.
- 304 Stainless Steel.
- Meets UPC Standards



PART #	MODEL #	DESCRIPTION	MASTER CASE QTY
H75001	HPKS252263	25" x 22" x 6" 3 Hole 24 Gauge	5
H75002	HPKS252264	25" x 22" x 6" 4 Hole 24 Gauge	5

HYDRAPRO INC.

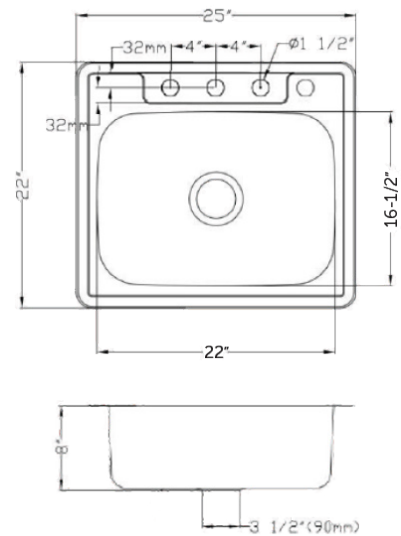
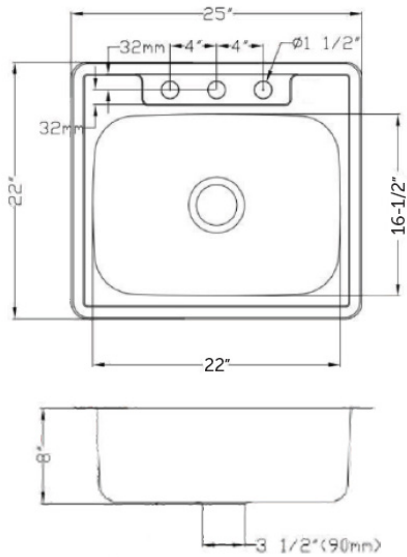
Phone: 877-813-2333; Fax 877-249-8435

Atlanta - Boston - Dallas - Deerfield Beach - Houston - Philadelphia

www.hydrapro.biz

Stainless Steel Sinks

- One piece drawing, no welding and no center seam.
- Sound deadening pads.
- 304 Stainless Steel.
- Meets UPC Standards



PART #	MODEL #	DESCRIPTION	MASTER CASE QTY
H75003	HPKS252283	25" x 22" x 8" 3 Hole 22 Gauge	5
H75004	HPKS252284	25" x 22" x 8" 4 Hole 22 Gauge	5

HYDRAPRO INC.
 Phone: 877-813-2333; Fax 877-249-8435
 Atlanta - Boston - Dallas - Deerfield Beach - Houston - Philadelphia
www.hydrapro.biz