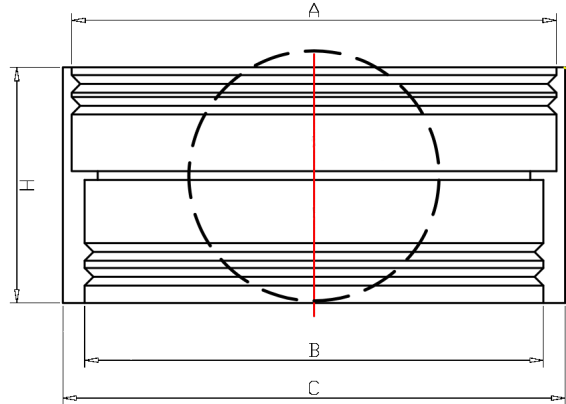
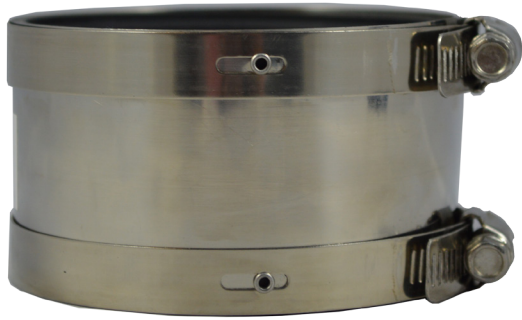


Shielded Couplings

- Meets ASTM C1173-10e1
- 301 Stainless steel clamps
- UPC Approved



ITEM #	DESCRIPTION	INNER CARTON QTY	MASTER CARTON QTY	A	B	C	H
SHIELDED COUPLING CI, PL, ST (TO) CI, PL, ST							
HPSC112	1-1/2" X 1-1/2"	1	160	1.929"	1.929"	2.165"	2.126"
HPSC2112	2" X 1-1/2"	1	100	2.362"	1.929"	2.559"	2.126"
HPSC2	2" X 2"	1	100	2.362"	2.362"	2.559"	2.126"
SHIELDED COUPLING CI (TO) PL, ST, XH, CI							
HPSC3	3" X 3"	1	100	3.543"	3.425"	3.740"	2.126"
HPSC4	4" X 4"	1	100	4.488"	4.331"	4.724"	2.126"
HPSC6	6" X 6"	1	45	6.614"	6.299"	6.889"	2.992"
HPSC8	8" X 8"	1	20	8.622"	8.425"	8.898"	3.819"
SHIELDED COUPLING CI, PL, ST (TO) COPPER							
HPSCC112	1-1/2" X 1-1/2"	1	160	1.929"	1.654"	2.165"	2.126"
HPSCC2	2" X 2"	1	100	2.362"	2.165"	2.559"	2.126"
HPSCC3	3" X 3"	1	100	3.346"	3.149"	3.543"	2.126"