

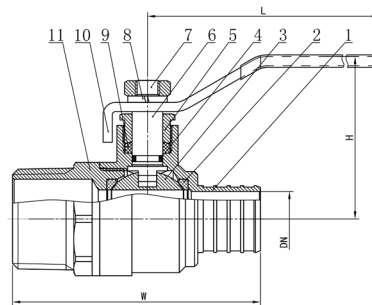
Threaded x F1807 PEX Brass Ball Valves

- PEX ball valve
- Brass body
- MIP X ASTM F1807 PEX
- 600 WOG
- Chrome plated brass ball
- cUPC Certified and Lead Free



ITEM #	DESCRIPTION	DN	W	H	L
IBVMP600LF34	3/4"	0.531	2.58	1.81	3.46

NO.	PART	MATERIAL
1	Body	Lead Free Brass
2	Seat	PTFE
3	Ball	Stainless Steel
4	O-Ring	NBR
5	Packing Nut	Brass
6	Stem	Brass
7	Handle Nut	Plated Steel
8	Lock Washer	Plated Steel
9	Packing	PTFE
10	Handle	Plated Steel
11	Cap	Lead Free Brass



*Lead Free refers to the wetted surface of pipe, fittings and fixtures in potable water systems that have a weighted average lead content $\leq 0.25\%$ per the Safe Drinking Water Act (Sec. 1417) amended 1-4-2011 and other equivalent state regulations.

HYDRAPRO INC.

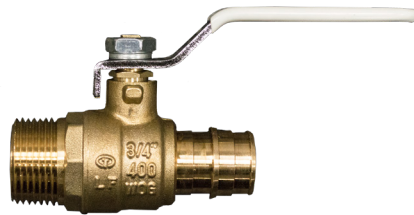
Phone: 877-813-2333; Fax 877-249-8435

Atlanta - Boston - Dallas - Pompano Beach - Houston - Philadelphia

www.hydrapro.biz

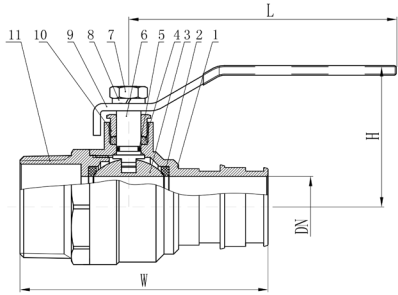
Threaded x F1960 PEX Brass Ball Valves

- PEX ball valve
- Brass body
- MIP X ASTM F1960 PEX
- 400 WOG
- Chrome plated brass ball
- cUPC Certified and Lead Free



ITEM #	DESCRIPTION	DN	W	H	L
IBVMWP600LF34	3/4"	0.611	2.89	1.81	3.46

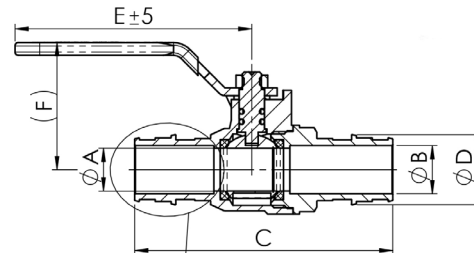
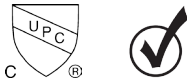
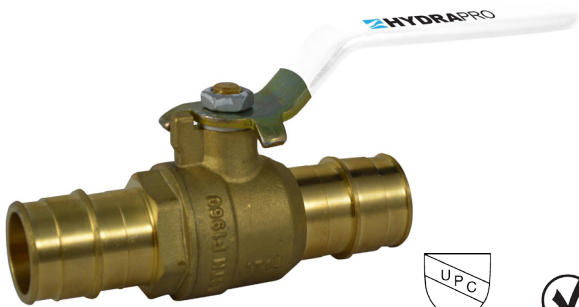
NO.	PART	MATERIAL
1	Body	Lead Free Brass
2	Seat	PTFE
3	Ball	Stainless Steel
4	O-Ring	NBR
5	Packing	PTFE
6	Stem	Stainless Steel
7	Handle Nut	Plated Steel
8	Handle	Plated Steel
9	Packing Nut	Brass
10	Cap	Lead Free Brass



*Lead Free refers to the wetted surface of pipe, fittings and fixtures in potable water systems that have a weighted average lead content $\leq 0.25\%$ per the Safe Drinking Water Act (Sec. 1417) amended 1-4-2011 and other equivalent state regulations.

F1960 PEX Ball Valves

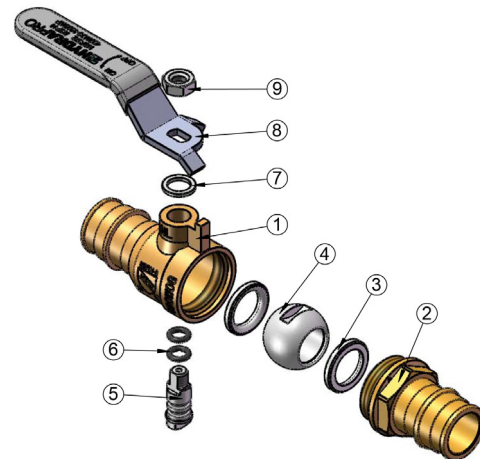
- PEX ball valve
- Brass body
- ASTM 1960
- 400 WOG
- Chrome plated brass ball
- cUPC Certified and Lead Free
- Complies with IAPMO / ANSI Z1157-2014el
- Complies with NSF / ANSI 14-2010a



The dimensions of circled part meet the standard "ASTM F1960 - 2012"

ITEM #	DESCRIPTION	A	B	C	D	E	F
PXW400LF12	1/2"	0.39	0.39	2.60	0.61	2.95	1.50
PXW400LF34	3/4"	0.53	0.60	3.21	0.87	3.17	1.57
PXW400LF1	1"	0.75	0.81	3.98	1.11	4.17	1.97

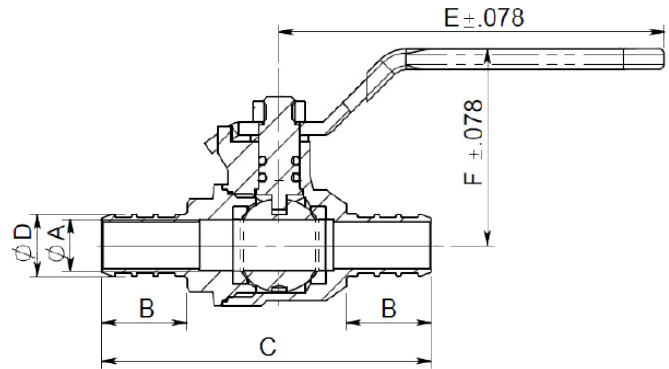
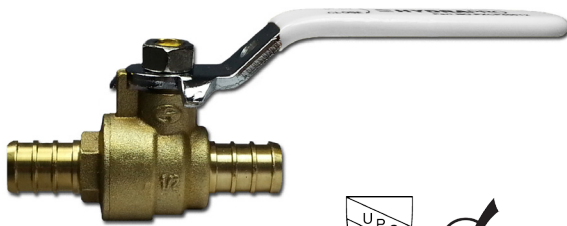
NO.	PART	MATERIAL
1	Body	C46500
2	Bonnet	C46500
3	Seat	PTFE
4	Ball	C46500
5	Stem	C46500
6	O-ring	EPDM
7	Washer	PTFE
8	Handle	Q235
9	Hex-Nut	Q235



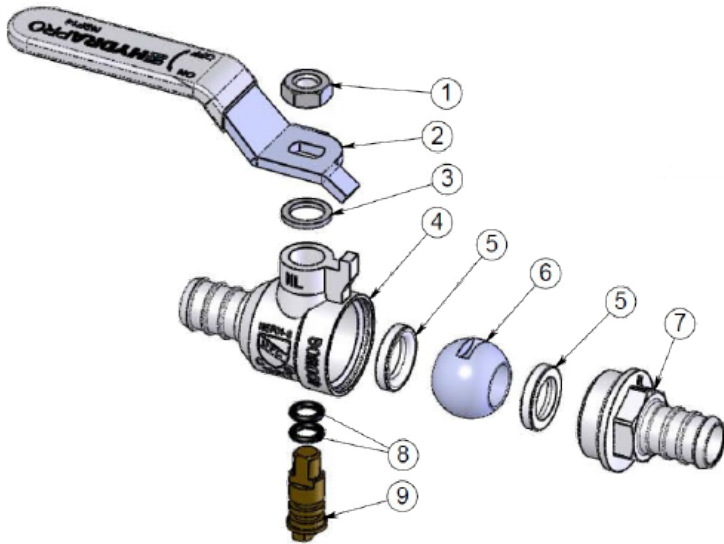
*Lead Free refers to the wetted surface of pipe, fittings and fixtures in potable water systems that have a weighted average lead content $\leq 0.25\%$ per the Safe Drinking Water Act (Sec. 1417) amended 1-4-2011 and other equivalent state regulations.

PEX Ball Valves

- Brass construction
- Full port
- 400 WOG
- Lead Free
- Complies with IAPMO / ANSI Z1157-2014eI
- Complies with NSF / ANSI 14-2010a



ITEM #	DESCRIPTION	A	B	C	D	E	F
PXCP400LF12	1/2"	.359	.656	2.52	.469	2.47	1.48
PXCP400LF34	3/4"	.531	.656	2.63	.672	3.17	1.56
PXCP400LF1	1"	.703	.813	3.23	.859	4.17	1.97

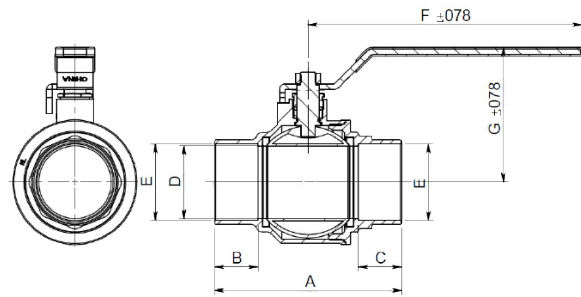
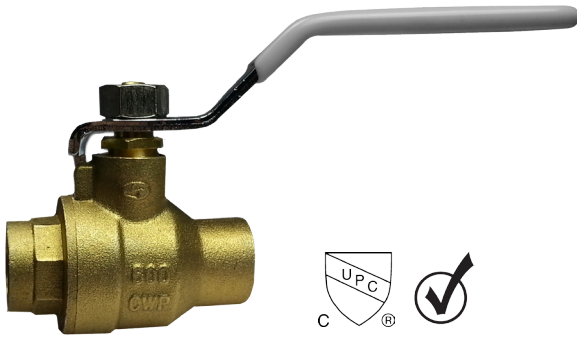


NO.	PART	MATERIAL
1	Hex-Nut	Steel
2	Handle	Steel
3	Washer	PTFE
4	Body	C46500 Brass
5	Seats	PTFE
6	Ball	C46500 Brass
7	Bonnet	C46500 Brass
8	O-Ring	EPDM
9	Stem	C46500 Brass

*Lead Free refers to the wetted surface of pipe, fittings and fixtures in potable water systems that have a weighted average lead content ≤ 0.25% per the Safe Drinking Water Act (Sec. 1417) amended 1-4-2011 and other equivalent state regulations.

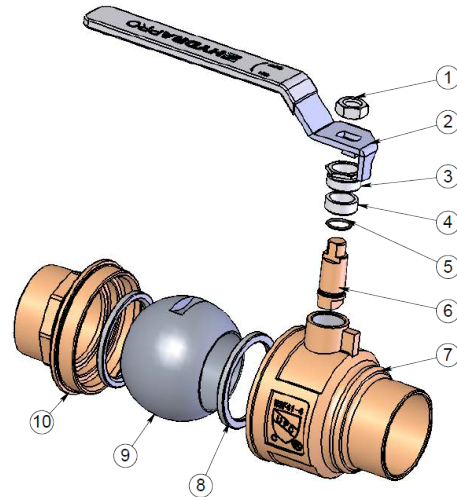
Large Diameter Ball Valves

- Brass construction
- Sweat connection
- Full port
- 400 WOG
- Lead Free
- Complies with IAPMO / ANSI Z1157-2014e1
- Complies with NSF / ANSI 14-2010a



ITEM #	DESCRIPTION	A	B	C	D	E	F	G
IBVS600LF1212	2-1/2"	6.45	1.50	1.50	Ø2.50	Ø2.63	9.45	4.64
IBVS600LF3	3"	7.52	1.69	1.69	Ø3.03	Ø3.13	9.45	5.02
IBVS600LF4	4"	9.48	2.17	2.17	Ø3.94	Ø4.13	9.45	5.92

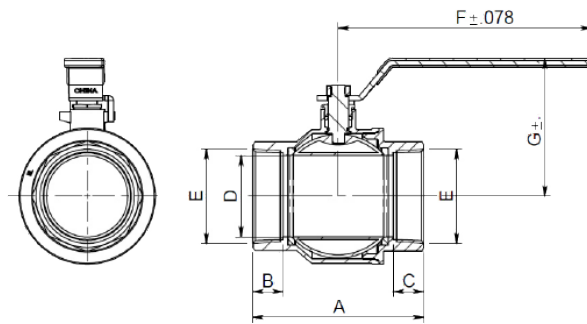
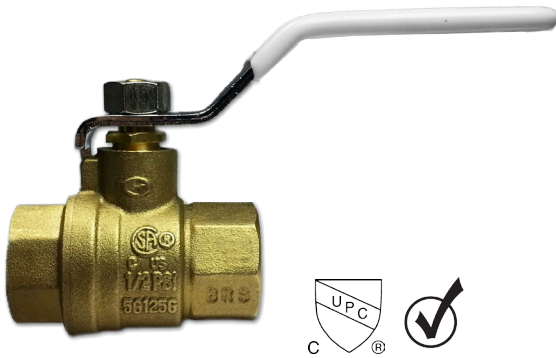
NO.	PART	MATERIAL
1	Hex-Nut	Steel
2	Handle	Steel
3	Packing Nut	Brass
4	Packing Gland	PTFE
5	O-Ring	EPDM
6	Stem	C36000 Brass
7	Body	C46500 Brass
8	Seats	PTFE
9	Ball	Stainless Steel
10	Bonnet	C46500 Brass



*Lead Free refers to the wetted surface of pipe, fittings and fixtures in potable water systems that have a weighted average lead content ≤ 0.25% per the Safe Drinking Water Act (Sec. 1417) amended 1-4-2011 and other equivalent state regulations.

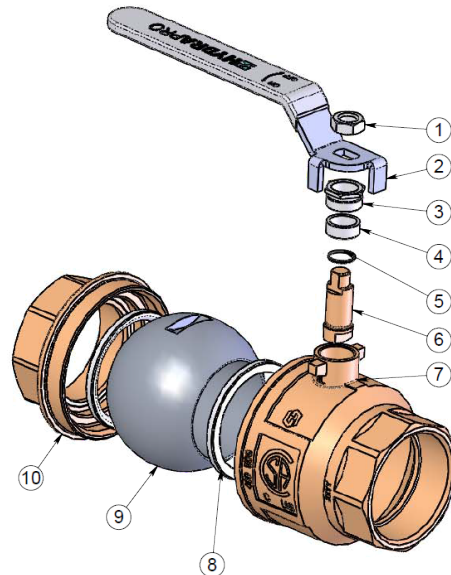
Large Diameter Ball Valves

- Brass construction
- IPS connection
- Full port
- 400 WOG
- Lead Free
- Complies with IAPMO / ANSI Z1157-2014e1
- Complies with NSF / ANSI 14-2010a



ITEM #	DESCRIPTION	A	B	C	D	E	F	G
IBVT600LF1212	2-1/2"	5.55	1.06	1.06	Ø2.50	2-1/2" - 8 NPT	9.45	4.64
IBVT600LF3	3"	6.38	1.14	1.14	Ø3.03	3" - 8 NPT	9.45	5.02
IBVT600LF4	4"	7.55	1.20	1.20	Ø3.94	4" - 8 NPT	9.45	5.92

NO.	PART	MATERIAL
1	Hex-Nut	Steel
2	Handle	Steel
3	Packing Nut	Brass
4	Packing Gland	PTFE
5	O-Ring	EPDM
6	Stem	C36000 Brass
7	Body	C46500 Brass
8	Seats	PTFE
9	Ball	Stainless Steel
10	Bonnet	C46500 Brass



*Lead Free refers to the wetted surface of pipe, fittings and fixtures in potable water systems that have a weighted average lead content $\leq 0.25\%$ per the Safe Drinking Water Act (Sec. 1417) amended 1-4-2011 and other equivalent state regulations.

HYDRAPRO INC.

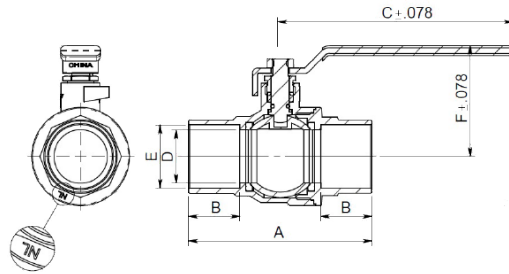
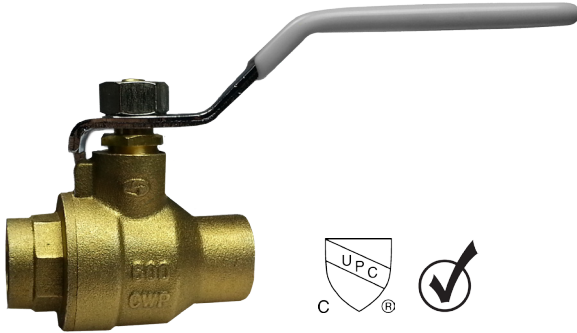
Phone: 877-813-2333; Fax 877-249-8435

Atlanta - Boston - Dallas - Pompano Beach - Houston - Philadelphia

www.hydrapro.biz

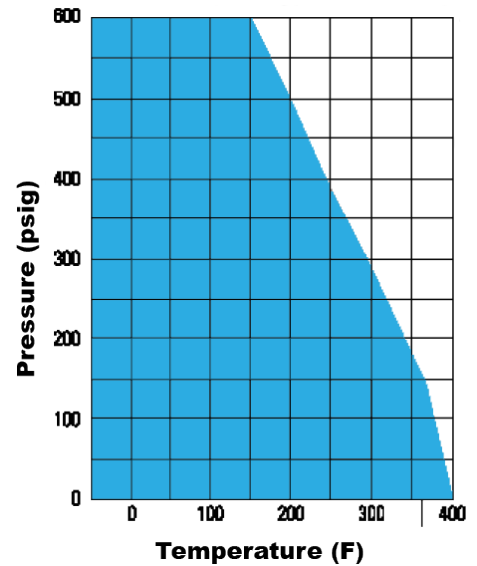
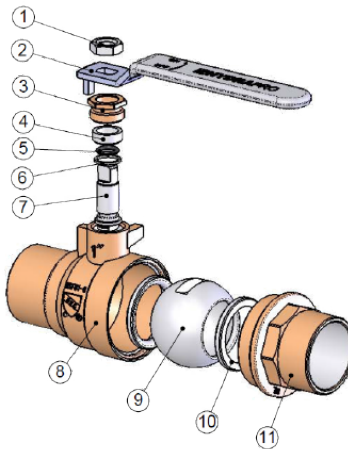
Ball Valves

- Brass construction
- Sweat connection
- Full port
- 600 WOG
- Lead Free
- Complies with IAPMO / ANSI Z1157-2014e1
- Complies with NSF / ANSI 14-2010a



ITEM #	DESCRIPTION	A	B	C	D	E	F
IBVS600LF12	1/2"	1.97	.484	3.08	Ø.516	Ø.625	1.53
IBVS600LF34	3/4"	2.70	.750	4.14	Ø.703	Ø.875	1.78
IBVS600LF1	1"	3.25	.906	4.14	Ø.938	Ø1.13	1.95
IBVS600LF114	1-1/4"	3.63	.922	4.92	Ø1.20	Ø1.38	2.48
IBVS600LF112	1-1/2"	4.30	1.10	4.92	Ø1.45	Ø1.63	2.67
IBVS600LF2	2"	5.36	1.34	7.09	Ø1.95	Ø2.13	3.20

NO.	PART	MATERIAL
1	Hex-Nut	Steel
2	Handle	Steel
3	Packing Nut	Brass
4	Packing Gland	PTFE
5	O-Ring	EPDM
6	Stem	C46500 Brass 1/2" - 1" C36000 Brass 1-1/4" - 2"
7	Washer	PTFE
8	Body	C46500 Brass
9	Ball	C46500 Brass 1/2" - 1" C36000 Brass 1-1/4" - 2"
10	Seat	PTFE
11	Bonnet	C46500 Brass



*Lead Free refers to the wetted surface of pipe, fittings and fixtures in potable water systems that have a weighted average lead content $\leq 0.25\%$ per the Safe Drinking Water Act (Sec. 1417) amended 1-4-2011 and other equivalent state regulations.

HYDRAPRO INC.

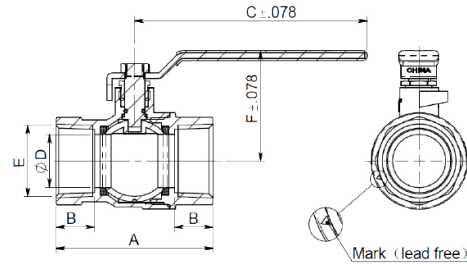
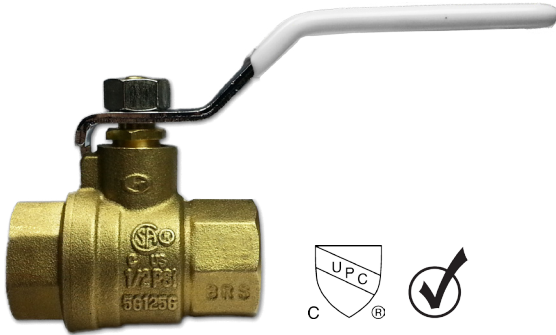
Phone: 877-813-2333; Fax 877-249-8435

Atlanta - Boston - Dallas - Pompano Beach - Houston - Philadelphia

www.hydrapro.biz

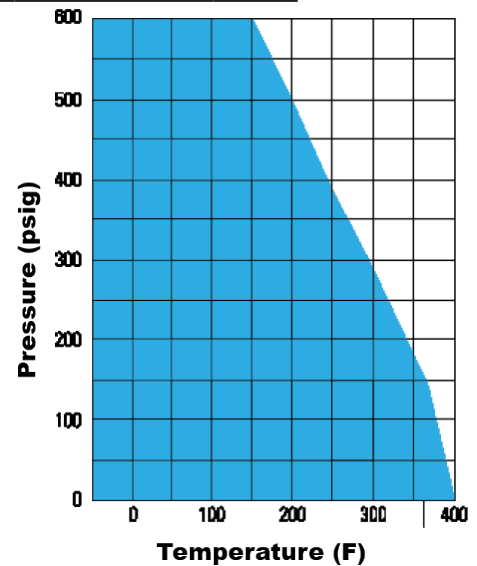
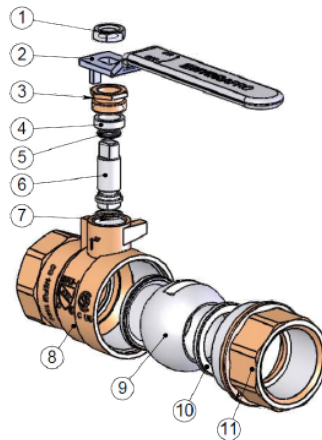
Ball Valves

- Brass construction
- IPS connection
- Full port
- 600 WOG
- Lead Free
- Complies with IAPMO / ANSI Z1157-2014eI
- Complies with NSF / ANSI 14-2010a



ITEM #	DESCRIPTION	A	B	C	D	E	F
IBVT600LF12	1/2"	2.05	.547	3.08	Ø.516	1/2" - 14 NPT	1.53
IBVT600LF34	3/4"	2.30	.578	4.14	Ø.700	3/4" - 14 NPT	1.78
IBVT600LF1	1"	2.80	.688	4.14	Ø.938	1" - 11.5 NPT	1.95
IBVT600LF114	1-1/4"	3.16	.688	4.92	Ø1.20	1-1/4" - 11.5 NPT	2.48
IBVT600LF112	1-1/2"	3.50	.703	4.92	Ø1.45	1-1/2" - 11.5 NPT	2.67
IBVT600LF2	2"	4.19	.750	7.09	Ø1.95	2" - 11.5 NPT	3.20

NO.	PART	MATERIAL
1	Hex-Nut	Steel
2	Handle	Steel
3	Packing Nut	Brass
4	Packing Gland	PTFE
5	O-Ring	EPDM
6	Stem	C46500 Brass 1/2" - 1" C36000 Brass 1-1/4" - 2"
7	Washer	PTFE
8	Body	C46500 Brass
9	Ball	C46500 Brass 1/2" - 1" C36000 Brass 1-1/4" - 2"
10	Seat	PTFE
11	Bonnet	C46500 Brass



*Lead Free refers to the wetted surface of pipe, fittings and fixtures in potable water systems that have a weighted average lead content $\leq 0.25\%$ per the Safe Drinking Water Act (Sec. 1417) amended 1-4-2011 and other equivalent state regulations.

HYDRAPRO INC.

Phone: 877-813-2333; Fax 877-249-8435

Atlanta - Boston - Dallas - Pompano Beach - Houston - Philadelphia

www.hydrapro.biz