

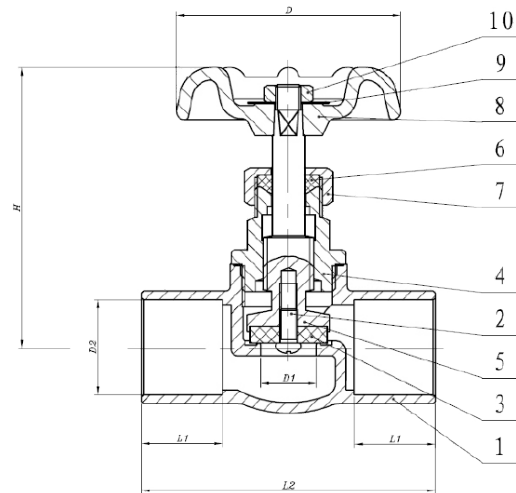
## Compression Style Valves

- Brass Body
- Sweat connection
- Lead Free



ITEM #	DESCRIPTION	D	D1	D2	L1	L2	H
HPVCSS12LF	1/2"	Ø2.087	Ø.512	0.629	0.551	2.165	2.433
HPVCSS34LF	3/4"	Ø2.087	Ø.512	0.878	0.748	2.717	2.433

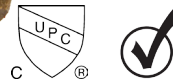
NO.	PART	MATERIAL
1	Body	Lead Free Brass
2	Screw	Brass
3	Gasket	NBR
4	Cap	Lead Free Brass
5	Stem	Lead Free Brass
6	Stuffing	NBR
7	Gland Nut	Lead Free Brass
8	Hand Wheel	Cast Iron
9	Name Plate	Aluminum
10	Nut	Steel



\*Lead Free refers to the wetted surface of pipe, fittings and fixtures in potable water systems that have a weighted average lead content  $\leq 0.25\%$  per the Safe Drinking Water Act (Sec. 1417) amended 1-4-2011 and other equivalent state regulations.

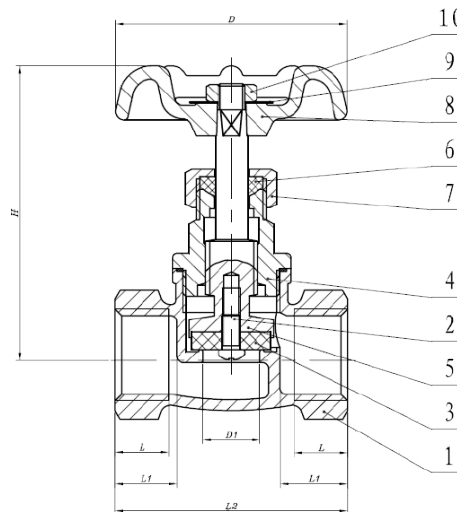
## Compression Style Valves

- Brass Body
- IPS connection
- Lead Free



ITEM #	DESCRIPTION	D	D1	L	L1	L2	H
HPVCSF12LF	1/2"	Ø2.087	Ø.532	0.472	0.551	2.067	2.433
HPVCSF34LF	3/4"	Ø2.087	Ø.532	0.571	0.649	2.303	2.433

NO.	PART	MATERIAL
1	Body	Lead Free Brass
2	Screw	Brass
3	Gasket	NBR
4	Cap	Lead Free Brass
5	Stem	Lead Free Brass
6	Stuffing	NBR
7	Gland Nut	Lead Free Brass
8	Hand Wheel	Cast Iron
9	Name Plate	Aluminum
10	Nut	Steel



\*Lead Free refers to the wetted surface of pipe, fittings and fixtures in potable water systems that have a weighted average lead content  $\leq 0.25\%$  per the Safe Drinking Water Act (Sec. 1417) amended 1-4-2011 and other equivalent state regulations.

**HYDRAPRO INC.**

Phone: 877-813-2333; Fax 877-249-8435

Atlanta - Boston - Dallas - Pompano Beach - Houston - Philadelphia

www.hydrapro.biz