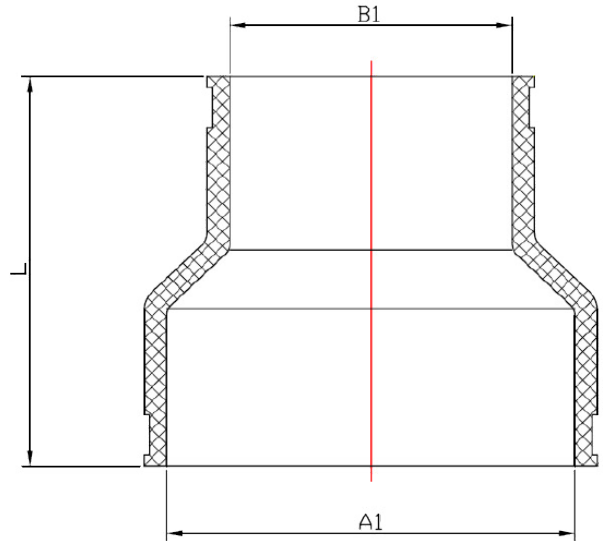


## Flexible Rubber Couplings

- Meets ASTM C1173-10el
- 301 Stainless steel clamps
- UPC Approved



ITEM #	DESCRIPTION	INNER CARTON QTY	MASTER CARTON QTY	A1	B1	L
<b>FLEXIBLE COUPLING CI, PL, COPPER, ST (TO) CI, PL, COPPER, ST</b>						
HPFRC114	1-1/4" X 1-1/4"	1	100	1-37/64"	1-37/64"	3-15/32"
HPFRC112	1-1/2" X 1-1/2"	1	100	1-29/32"	1-29/32"	3-31/64"
HPFRC2112	2" X 1-1/2"	1	100	2-23/64"	1-57/64"	3-15/32"
HPFRC2	2" X 2"	1	100	2-3/8"	2-3/8"	3-31/64"
HPFRC32	3" X 2"	1	80	3-1/2"	2-13/32"	3-61/64"
HPFRC3	3" X 3"	1	80	3-15/32"	3-15/32"	3-31/32"
HPFRC42	4" X 2"	1	30	4-13/32"	2-3/8"	3-7/8"
HPFRC43	4" X 3"	1	60	4-13/32"	3-35/64"	4-17/64"
HPFRC4	4" X 4"	1	60	4-31/64"	4-31/64"	3-31/32"
HPFRC64	6" X 4"	1	20	6-25/64"	4-13/32"	5-53/64"
HPFRC6	6" X 6"	1	20	6-29/64"	6-29/64"	5-29/32"
HPFRC8	8" X 8"	1	20	8-5/8"	8-5/8"	6"
<b>FLEXIBLE COUPLING CLAY (TO) CI OR PL</b>						
HPFRCCLAY4	4" X 4"	1	60	5-15/64"	4-31/64"	3-31/32"

HYDRAPRO INC.

Phone: 877-813-2333; Fax 877-249-8435

Atlanta - Boston - Dallas - Pompano Beach - Houston - Philadelphia

www.hydrapro.biz